

X5S

По вопросам продаж и поддержки обращайтесь:

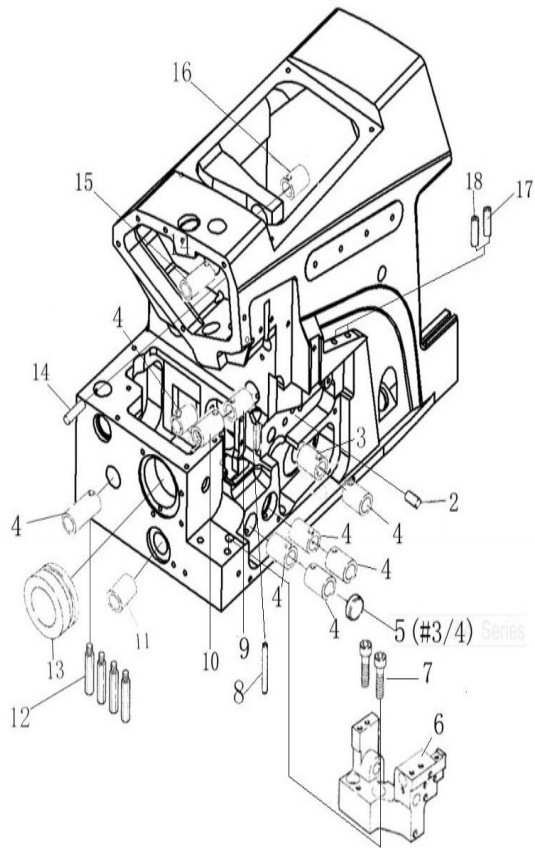
Алматы (7273)495-231
Архангельск (8182)63-90-72
Астрахань (8512)99-46-04
Барнаул (3852)73-04-60
Белгород (4722)40-23-64
Брянск (4832)59-03-52
Владивосток (423)249-28-31
Волгоград (844)278-03-48
Вологда (8172)26-41-59
Воронеж (473)204-51-73
Екатеринбург (343)384-55-89
Иваново (4932)77-34-06
Ижевск (3412)26-03-58
Иркутск (395)279-98-46
Россия (495)268-04-70

Казань (843)206-01-48
Калининград (4012)72-03-81
Калуга (4842)92-23-67
Кемерово (3842)65-04-62
Киров (8332)68-02-04
Краснодар (861)203-40-90
Красноярск (391)204-63-61
Курск (4712)77-13-04
Липецк (4742)52-20-81
Магнитогорск (3519)55-03-13
Москва (495)268-04-70
Мурманск (8152)59-64-93
Набережные Челны (8552)20-53-41
Нижний Новгород (831)429-08-12
Киргизия (996)312-96-26-47

Новокузнецк (3843)20-46-81
Новосибирск (383)227-86-73
Омск (3812)21-46-40
Орел (4862)44-53-42
Оренбург (3532)37-68-04
Пенза (8412)22-31-16
Пермь (342)205-81-47
Ростов-на-Дону (863)308-18-15
Рязань (4912)46-61-64
Самара (846)206-03-16
Санкт-Петербург (812)309-46-40
Саратов (845)249-38-78
Севастополь (8692)22-31-93
Симферополь (3652)67-13-56
Казахстан (7172)727-132

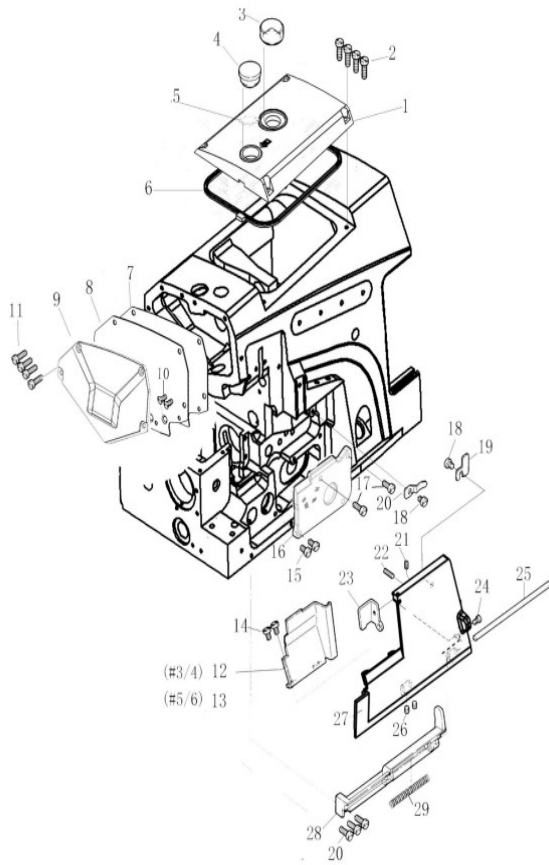
Смоленск (4812)29-41-54
Сочи (862)225-72-31
Ставрополь (8652)20-65-13
Сургут (3462)77-98-35
Тверь (4822)63-31-35
Томск (3822)98-41-53
Тула (4872)74-02-29
Тюмень (3452)66-21-18
Ульяновск (8422)24-23-59
Уфа (347)229-48-12
Хабаровск (4212)92-98-04
Челябинск (351)202-03-61
Череповец (8202)49-02-64
Ярославль (4852)69-52-93

Machine Bed Frame



零件编号 (number)	零件品号 (Product number)	零件名称 (Product name)
1	035KX0101	机壳 / Machine Bed Frame
2	BF889210182	厚料摇杆定位销 / Pin
3	BF889ZT04	上弯针轴后套 / Bushing
4	BF889ZT03	弯针、送布套 / Bushing
5	BF800208173	油封 / Plug
6	BF889270008-91	下刀座 / Bracket Assembly
7	BF8894511	螺钉M6×25 / Screw
8	BF889240299	切刀轴回油管 / Pin
9	BF889ZT06	上刀轴内套/Bushing
10	BF889ZT05	上刀轴外套/Bushing
11	BF889ZT07	差动轴套/Bushing
12	BF800270047	支柱螺钉/Screw
13	BF889ZT08	主轴套/Bushing
14	BF800201002	销5×12/Pin
15	BF889ZT01	上轴外套/Bushing
16	BF889ZT02	上轴内套/Bushing
17	BF889240325	过线管/Pipe
18	BFX52403251	过线管/Pipe

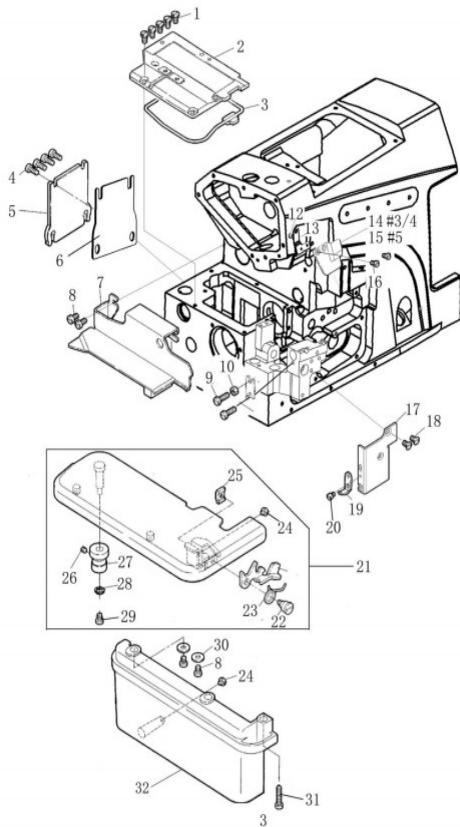
Cover(1)



零件编号 (number)	零件品号 (Product number)	零件名称 (Product name)
1	KX0201	上盖(喷漆后) Top Cover
10	BF310167043	螺钉M4X6 Screw
11	BF370167082	螺钉M4X6 Screw
12	BF889270012	左前板 - 四线 Front Cover (left)
13	BF889270013	左前板 Front Cover (left)
14	BF8007130	螺钉M4X7 Screw
15	BF310167020	螺钉M4X10 Screw
16	BF889270153	上弯针前盖板 Side Cover
17	BF310167021	螺钉M4X12 Screw
18	BF8007018	螺钉M4X5 Screw
19	BF889270017	锁紧板 Latch
2	BF310167022	螺钉 Screw
20	BF800210044	前盖板锁紧舌 Flat Spring
21	BF310164535	螺钉M3X4 Screw
22	BF8894574	螺钉M3X12 Screw
23	BF889270018	锁紧板 Latch
24	BF800240043	铰链销 Pin
25	BF310167011	螺钉M3X8 Screw
26	BF310164543	螺钉M4X4 Screw
27	BFX52700111	前门板(喷漆后) Front Cover (right)

零件编号 (number)	零件品号 (Product number)	零件名称 (Product name)
28	BF889270014	铰链 Hinge
29	BF800240301	弹簧 Spring
3	PF5550824	油窗 Oil sight window
4	BF889240310	油窗 Oil sight window
5	BF889275541	过滤片 Gasket
6	KX0226	上盖垫 Gasket
7	BFX527008322	侧盖板垫 Gasket
8	BFX527008312	侧盖板 Gasket
9	KX02092	侧盖板罩 Cover

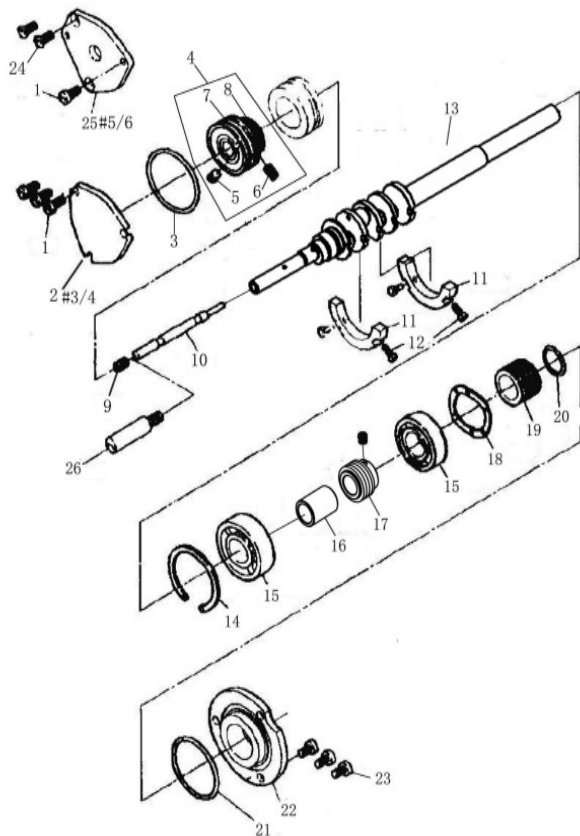
Cover(2)



零件编号 (number)	零件品号 (Product number)	零件名称 (Product name)
1	BF310167084	螺钉M4X8 Screw
10	BF310164821	螺母M4X3 Nut
11	BF889273007	挡板 Guide
12	BF320267131	螺钉 (特殊) Screw
13	BFX52700341	观察镜支架 Bracket
14	BF889270032	四线观察镜 Eye Guide
15	BF889270033	五线观察镜 Eye Guide
16	BF8007008	螺钉 Screw
17	BF889270015	挡板 Plate
18	BF8007077	螺钉 Screw
19	BF800270049	下刀座前盖板护板 Latch
2	BF889270177	左上盖 Bed Cover Plate Assy.
20	BF8007180	螺钉 Screw
21	BF889UT270037-UT-2	缝台组件 Cloth Plate
22	BF8007172	螺钉 Screw
23	BF800270044	缝台卡簧弹簧 Spring
24	BF800240305	减震垫 Cushion Rubber
25	BF800270045	缝台卡簧固定板 Bracket
26	BF310164543	螺钉M4X4 Screw
27	BF800270042	缝台铜套 Bushing

零件编号 (number)	零件品号 (Product number)	零件名称 (Product name)
28	BF800210307	波形垫圈 Washer
29	BF310167066	螺钉 Screw
3	BF889270023	密封垫 Gasket
30	BF800240343	垫圈 Washer
31	BF310167025	螺钉 Screw
32	BFX52700301-UB	缝台下罩 (宽) (灰色) Side Cover
4	BF310167020	螺钉M4X10 Screw
5	BFX5270026B	后窗板 Cover Plate
6	BFX5270026C	后窗板垫 Gasket
7	BF889270019	布料挡板 Fabric Guide
8	BF8007019	螺钉M4X8 Screw
9	BF310167023	螺钉M4*16 Screw

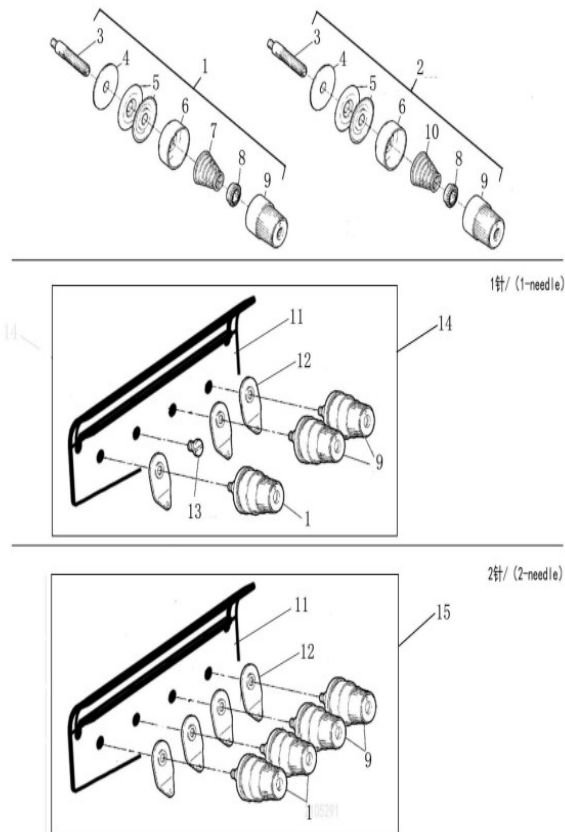
Crankshaft Drive Mechanism



零件编号 (number)	零件品号 (Product number)	零件名称 (Product name)
1	BF8007019	螺钉M4X8 Screw
10	BF889270503	油线销 Pin
11	BF889270502	平衡块 Blance Weight
12	BF310167011	螺钉 Screw
13	KR0401	主轴 Crankshaft
14	BF889240335	主轴卡簧φ42 Ring
15	BF310166203Z	轴承 Ball Bearing
16	BF889270523A	轴套 (主轴挡套) Spacer
17	BF8892T74507	轴套 (主轴挡套) Spacer
18	BF889240306	主轴波型垫片φ39 Washer
19	BF700M46	主轴中轴套 Oil Seal
2	BF889270508	前轴承盖 - 四线 Cover
20	BF889210057	O型圈16X1.8 O Ring
21	BF889240307	O型圈41X2 O Ring
22	BF889211528A	挡板 Right Cover
23	BF310167020	螺钉M4X10 Screw
24	BF8897044	螺钉M4X10 Screw
25	BF889270509	前轴承盖 - 五线 Cover
26	BF800270510	凸轮轴、五线 Pin
3	BF800240340	油封 (O型圈) O Ring

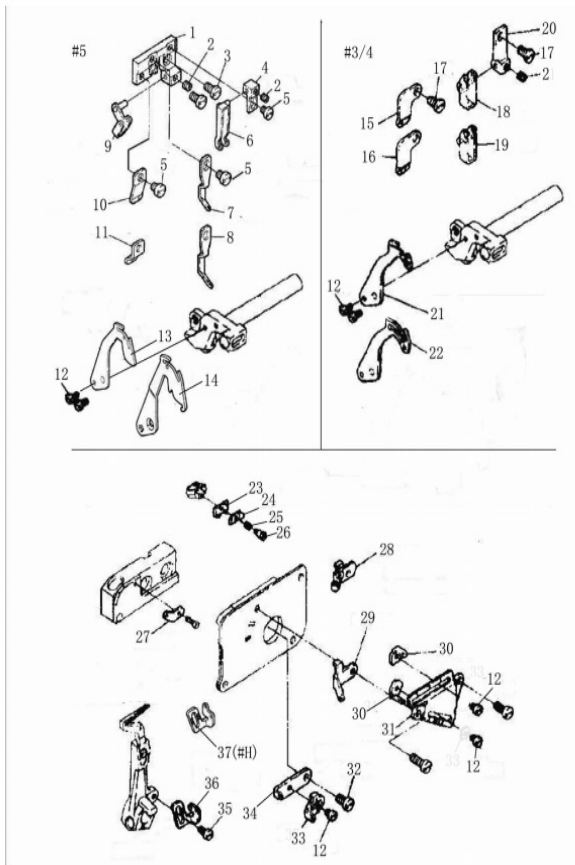
零件编号 (number)	零件品号 (Product number)	零件名称 (Product name)
4	BF8892705071	挡齿组件 Ratchet
5	BF310164514	螺钉M5*5 Screw
6	BF8004572	螺钉 Screw
7	BF889DCZC	轴承 Ball Bearing
8	BF889270507	挡齿 Ratchet
9	BF8897374	螺钉M6X6.5 Screw

Thread Tension Mechanism



零件编号 (number)	零件品号 (Product number)	零件名称 (Product name)
1	BF8892105291	夹线组 (强) Thread Tension Complete
10	BF889201086	下弯针调压簧 Spring
11	BF889275001	下弯针调压簧 Spring
12	BF889202849	过线板 Tension Guide
13	BF8894009	过线板 Tension Guide
14	BFX5275001A-3	X5夹线器组件 - 三线(灰)Tension Spring Assembly
15	BFX5275001A-4	X5夹线器组件 - 四线(灰)Tension Spring Assembly
2	BF8892105301	夹线组 (弱) Thread Tension Complete
3	BF8895082	夹线螺钉 Screw
4	BF889208449	夹线片垫 Felt
5	BF889210319	夹线片 Tension Disc
6	BF889208450	调压止动盖 Cup
7	BF889201037	机针调压簧 Spring
8	BF889208448	调压止动套 Spring Bushing
9	BF889208447-UA	调压螺母 Post Nut

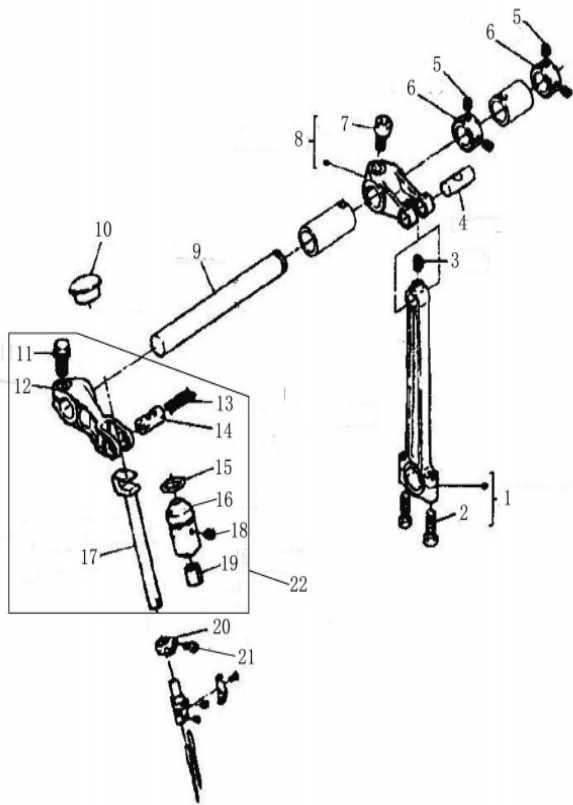
Thread Guide and Thread Takeup



零件编号 (number)	零件品号 (Product number)	零件名称 (Product name)
1	BFX52750211	托架 Bracket
10	BF889275029	过线板-五线 Thread Guide
11	BF889T275052A	过线板-五线 Thread Guide
12	BF8007008	过线板-五线 Thread Guide
13	BF889275027	挑线 - 五线 Thread Takeup
14	BF889275122	挑线 - 五线 Thread Takeup
15	BF889275018	过线(三线) Thread Eyelet
16	BF889275018A	过线板-四线 Thread Eyelet
17	BF8007130	螺钉M4X7 Screw
18	BF889275013A	过线 - 三线 Thread Guide
19	BF889275013	机针过线 - 四线 Thread Guide
2	BF310164543	螺钉M4X4 Screw
20	BF889275015	托架 Bracket
21	BF889275016	挑线 - 三线 Thread Takeup
22	BF889275017	挑线 - 三线 Thread Takeup
23	BF889275011	机针线压板(下) Thread Retainer
24	BF889275012	机针线压板(下) Thread Retainer
25	BF889240326	压簧 Spring
26	BF8897163	螺钉M2(轴位) Screw
27	BF889275056	过线 Thread Guide

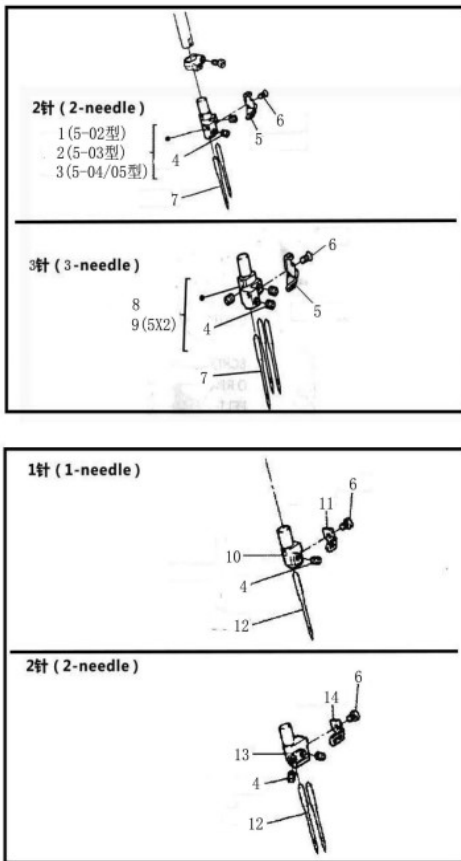
零件编号 (number)	零件品号 (Product number)	零件名称 (Product name)
28	BF889275055	过线 - 厚料 Thread Guide
29	BF889275007	过线 Thread Guide
3	BF310167082	螺钉M4X7.5 Screw
30	BF700M810	刻度板过线
31	BF889275004	托架 Bracket
32	BF310167020	螺钉M4X10 Screw
33	BF889275006	过线 Thread Eyelet
34	BF889275005	挑线架 Thread Takeup
35	BF8007012	螺钉 Screw
36	BF889275054	挑线架 Thread Takeup
37	BF889275009	挑线架 - 厚料 Thread Takeup
4	BF889275026	托架 Bracket
5	BF8007018	螺钉M4X5 Screw
6	BF889275024	二孔过线 - 五线 Thread Guide
7	BF889275028	过线 - 五线 Thread Guide
8	BF889275057	过线 - 六线和五线厚料 Thread Guide
9	BF889275022	过线 - 六线和五线厚料 Thread Guide

Needle Drive Mechanism(1)



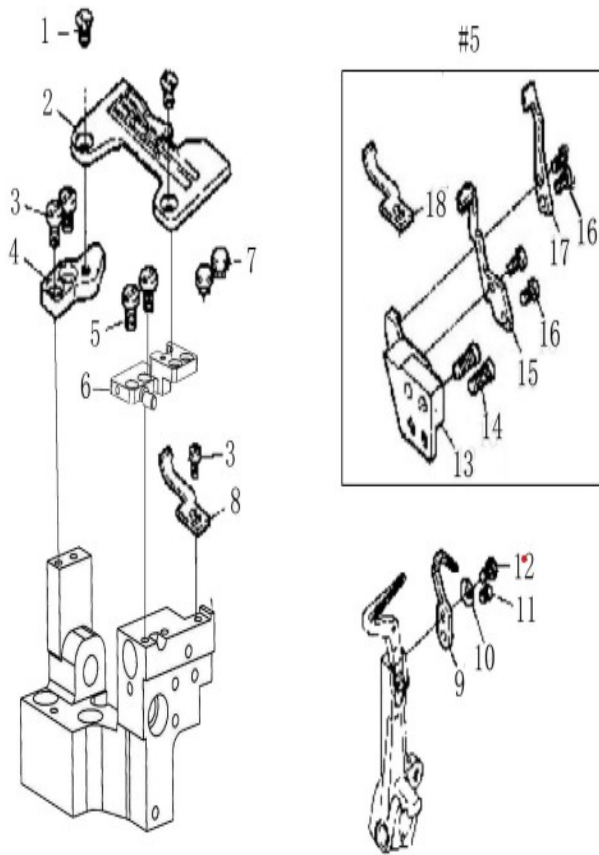
零件编号 (number)	零件品号 (Product number)	零件名称 (Product name)
1	BF889271000-92	针杆连杆 Connection
10	BF889240310	橡皮塞 Plug
11	BF8007150	螺钉 (细牙) Screw
12	BF889271004	针杆曲柄 Lever
13	BF889202177	油线 Oil wick
14	BF889271022A91	销子 Shaft
15	BF889201022	O型圈11.5X1.5 O Ring
16	BF889271005B	针杆套 Bushing
17	BF889271005A	针杆 Needle Bar
18	BF310164546	螺钉 Screw
19	BF889179009	螺钉 Screw
2	BF2002040103	螺钉 Screw
20	BF889271009-92	针杆轴固 Ring
21	BF8897035	螺钉M3X6 Screw
22	BF889271005B91	螺钉M3X6 Screw
3	BF8004538	螺钉 Screw
4	BF800271001	销子 Pin
5	BF310164554	螺钉M3X3 Screw
6	BFX5240308A	挡圈 (厚) Collar
7	BF80045331	螺钉 (细) Screw
8	BF889271002-92	针杆连杆曲柄 Crank
9	BFX5271003A	上轴 Shaft

Needle Drive Mechanism(2)



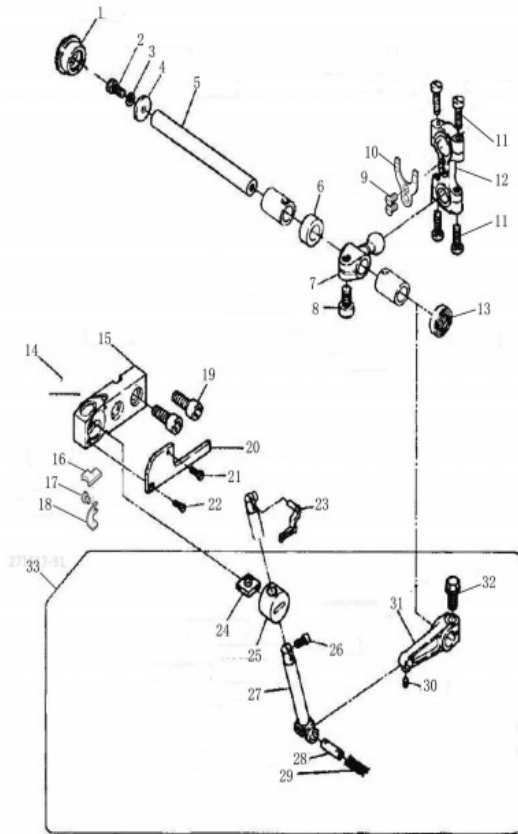
零件编号 (number)	零件品号 (Product number)	零件名称 (Product name)
1	BF889277027	五线针夹头
10	BF889179630	三线针夹头 Needle Holder Assembly
11	BF889275019A	过线 - 三线 Thread Guide
12	BF70011JZ	DC*27-11#机针 Needle
13	BF889277022	四线针夹头 Needle Holder Assembly
14	BF889275019B	过线 - 四线 Thread Guide
2	BF889277028	五线宽边针夹头
3	BF889277029	五线厚料针夹头
4	BF310164554	螺钉M3X3 Screw
5	BF889275030A	过线 - 五线(常规) Thread Guide
6	BF700SM235	螺钉 Screw
7	BF70014JZ	DC*27-14#机针 Needle
8	BF889277030-92	三针六线针古 Needle Antique
9	BF889277031-92	三针六线针古(5X2) Needle Antique

Needle Drive Mechanism(3)



零件编号 (number)	零件品号 (Product number)	零件名称 (Product name)
1	BF8007170	螺钉 Screw
10	BF800202875	垫圈 Washer
11	BF8897165	螺钉M3X2.5 Screw
12	BF8897259	螺钉M3X5 Screw
13	BF889271013	托架 Bracket
14	BF8897114	螺钉M4X10 Screw
15	BF889277006	后护针 Needle Guard
16	BF8007010	螺钉 Screw
17	BF889277007	链线护针 Needle Guard
18	BF889277008	前护针 Needle Guard
2	XXXXXXXX	针板 Needle Plate
3	BF8007019	针板 Needle Plate
4	BF889271011	针板垫块(后) Bracket
5	BF8007130	螺钉M4X7 Screw
6	BF889271010	针板垫块(前) Bracket
7	BF800240305	减震垫 Cushion Rubber
8	BF889277005	前护针 Needle Guard
9	BF889277004	移动护针 Needle Guard

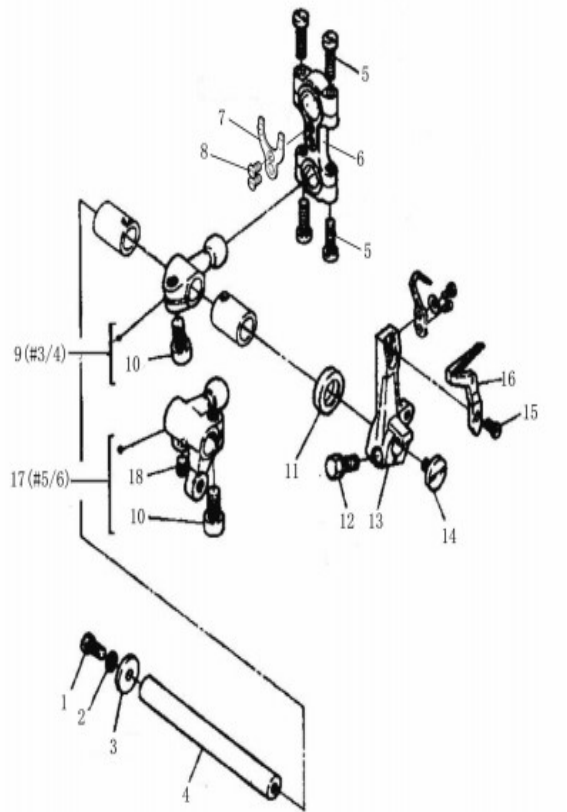
Upper Looper Drive Mechanism



零件编号 (number)	零件品号 (Product number)	零件名称 (Product name)
1	BF889275540	橡皮塞 Plug
10	BFX52715011	连杆垫圈 Washer
11	BF2002040103	螺钉 Screw
12	BF889271500-92	弯针连杆 Connection
13	BF700M83	油封 Oil Seal
14	BF700YMX	羊毛线 Oil Wick
15	BF889271510	上弯针滑杆组件3 Upper Looper Bracket
16	BF889274589	油棉 Felt
17	BF310167010	螺钉 Screw
18	BF889274588	压板 Bracket
19	BF8004510	螺钉 Screw
2	BF8007174	螺钉 Screw
20	BF889271543	滑杆挡板 Cover
21	BF8897033	螺钉M2.5X8 Screw
22	BF8007039	螺钉 Screw
23	BF889277010-5#	上弯针 Upper Looper
24	BF889179130	油棉 Felt
25	BF889271506B91-2	上弯针滑杆组件2 Upper Looper Slider
26	BF889271506B91-1	螺钉M3X6 Screw
27	BF889271506B91-1	上弯针滑杆 Upper Looper Slider

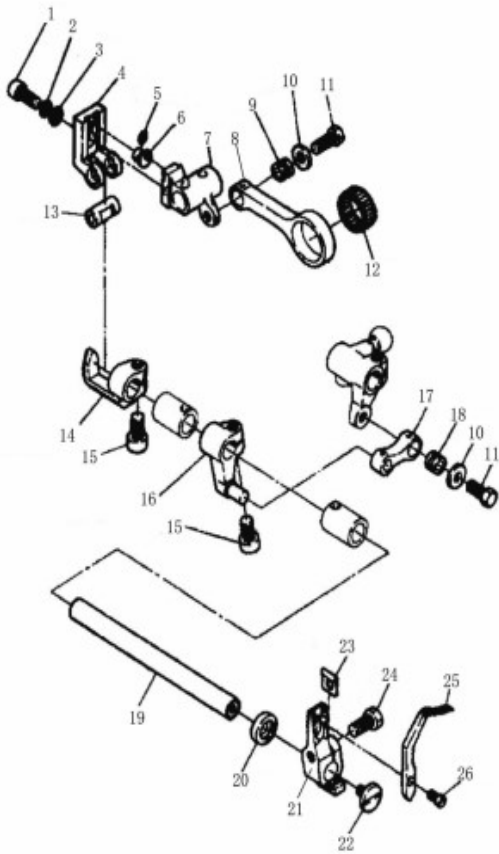
零件编号 (number)	零件品号 (Product number)	零件名称 (Product name)
28	BF800179136A	滑杆销 Pin
29	BF889202176	油棉 Felt
3	BF800303067	垫圈 Washer
30	BF310164545	螺钉M3X4 Screw
31	BF889271505	滑杆曲柄 Lever
32	BF8007150	螺钉 (细牙) Screw
33	BF889271517B91	上弯针滑杆组件 Upper Looper Holder Assembly
4	BF800240338	垫圈 Washer
5	BF889271504	弯针轴 Shaft
6	BF889210122	衬套 Spacer
7	BF889271502-92	上弯针球曲柄 Crank
8	BF80045331	螺钉 (细) Screw
9	BF8007041	螺钉 Screw

Lower Looper Drive Mechanism



零件编号 (number)	零件品号 (Product number)	零件名称 (Product name)
1	BF8007174	螺钉 Screw
10	BF80045331	螺钉 (细) Screw
11	BF700M83	油封 Oil Seal
12	BF700S058	螺钉 Screw
13	BF889272001	下弯针架 Lower Looper Holder
14	BF8897169	螺钉M4X7 Screw
15	BF8897168	螺钉M3.5X6.5 Screw
16	BF889277015	下弯针 Lower Looper
17	BF889273511-92	五线下弯针球曲柄 Crank
18	BF310164514	螺钉 M5*5 Screw
2	BF800303067	垫圈 Washer
3	BF800240338	垫圈 Washer
4	BF889271504	弯针轴 Shaft
5	BF889271504	螺钉 Screw
6	BF889271500-92	弯针连杆 Connection
7	BFX52715011	连杆垫圈 Washer
8	BF8007041	螺钉 Screw
9	BF889272000-92	三四线下弯针球曲柄 Crank

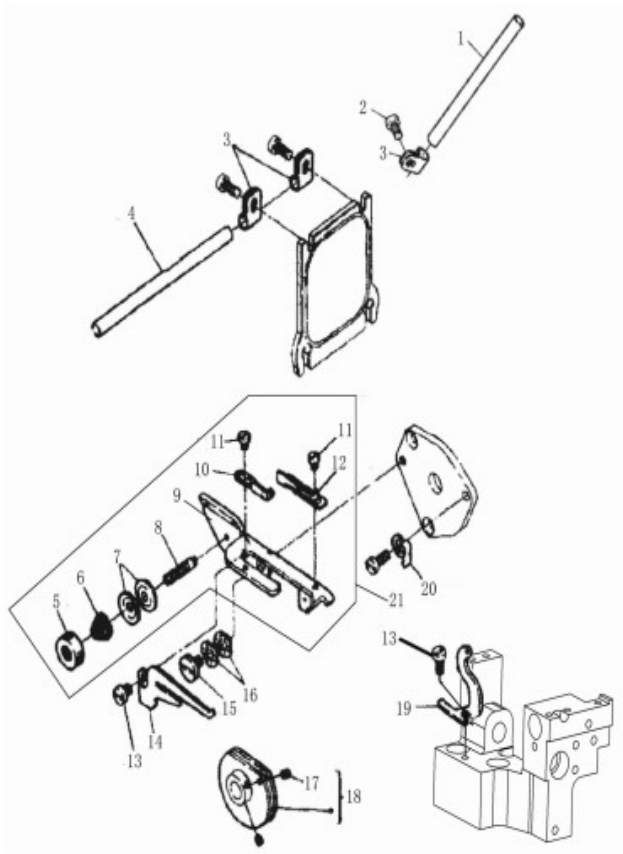
Chainstitch Looper Drive Mechanism (1)



零件编号 (number)	零件品号 (Product number)	零件名称 (Product name)
1	BF310164531	螺钉M5*12 Screw
10	BF31016240049	垫片 Washer
11	BF8897056	螺钉M5X13(细牙) 螺钉 Screw
12	BF889205015-20(0-2)	滚针轴承 Needle Bearing
13	BF800273504	五线销 Shaft
14	BF889273505-92	驱动座 Holder
15	BF80045331	螺钉(细) Screw
16	BF889273509	链线曲柄 Crank
17	BF889272517	连杆 Link
18	BF889240542A	连杆套 Bushing
19	BF889273506	链线弯针轴 Shaft
2	BF800303067	垫圈 Washer
20	BF700M1119	油封 Oil Seal
21	BF889273510	前弯针架 Looper Holder
22	BF8897169	螺钉M4X7 Screw
23	BF889240337	垫片 Spacer
24	BF700S058	螺钉 Screw
25	BF889277018	链线弯针 Double Chainstich Looper
26	BF8897168	螺钉M3.5X6.5 Screw
3	BF800240062	垫圈 Washer

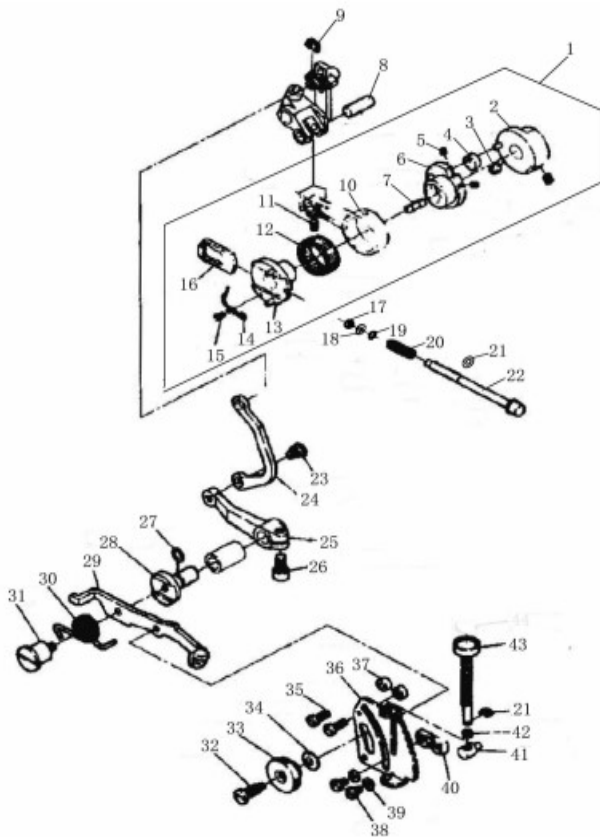
零件编号 (number)	零件品号 (Product number)	零件名称 (Product name)
4	BF889273502	滑块座组件 Slider
5	BF889208949	O型圈4X1.3 O Ring
6	BF889252515	偏心销 Pin
7	BF889273501	曲柄 Crank
8	BF889273500	驱动连杆 Connection
9	BF889240542	连杆套 Bushing

Chainstitch Looper Drive Mechanism (2)



零件编号 (number)	零件品号 (Product number)	零件名称 (Product name)
1	BF800209699	短过线管、五线 Thread Guide
10	BF800275039	凸轮架过线 Thread Guide
11	BF8007008	螺钉 Screw
12	BF800275036	拦线板 Thread Guide
13	BF8007018	螺钉M4X5 Screw
14	BF800275035	分线板（五线） Thread Guide
15	BF310167066	螺钉 Screw
16	BF800210307	波形垫圈 Washer
17	BF310164554	螺钉M3X3 Screw
18	BF800179498	打线凸轮 Looper Thread Takeup
19	BF889275038	过线 Thread Guide
2	BF8007019	螺钉M4X8 Screw
20	BF800275037	打线架卡簧 Spring
21	BF800YXQZJ	压线器组件 Threading Component
3	BF800206115	压板、五线 Holder
4	BF800209631	长过线管、五线 Thread Guide
5	BF31016275034	螺母 Knob
6	BF31016211388	弹簧 Spring
7	BF31016137108	夹线片 Tension Disc
8	BF310167167	螺钉 Screw
9	BF800275033A	打线凸轮架 Bracket

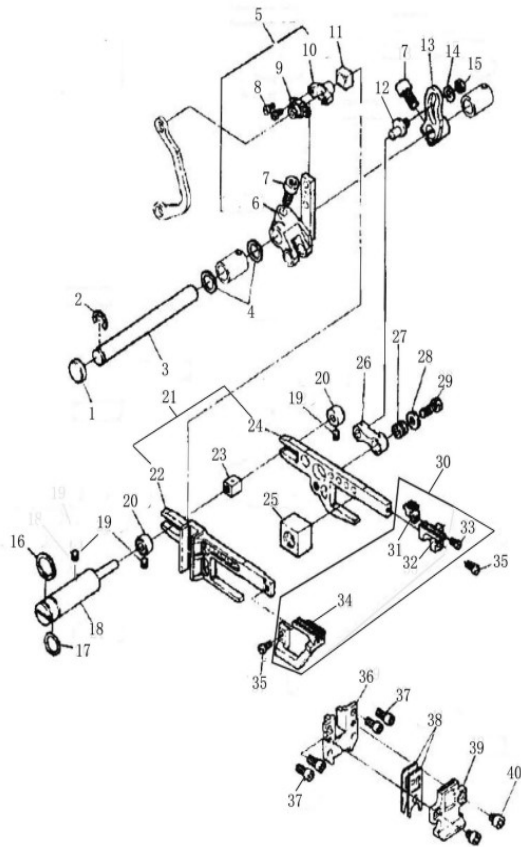
Feed Mechanism



零件编号 (number)	零件品号 (Product number)	零件名称 (Product name)
1	BF889270507-92	送布组件 Connection
10	BF889272500	送料连杆 Connection
11	BF8004538	螺钉 Screw
12	BF800240012	K222610滚针轴承 Needle Bearing
13	BF800272504-91	K222610滚针轴承 Needle Bearing
14	BF889272503	扭簧 Spring
15	BF8007038	螺钉 Screw
16	BF889272502	棘爪 Ratchet
17	BF889240315	橡胶垫 Gasket
18	BF889240314	垫片 Washer
19	BF889208949	O型圈4X1.3 O Ring
2	BF889270506-91	送布偏心 Regulator
20	BF889240317	弹簧 Spring
21	BF31016200555	卡簧 Ring
22	BF889272509	开针按钮轴 Push Button
23	BF8897058	螺钉 Screw
24	BF889272529	差动连杆 Link
25	BF889272530	差动曲柄 Lever
26	BF80045331	螺钉 (细) Screw
27	BF889204185	O型圈6X1.8 O Ring

零件编号 (number)	零件品号 (Product number)	零件名称 (Product name)
28	BF889272533A	差动扳手轴 Shaft
29	BF889272532	差动杆 Lever
3	BF310164514	螺钉 M5*5 Screw
30	BF800272534	弹簧 Spring
31	BF8007161	螺钉 Screw
32	BF8897059A	螺钉M5(特) Screw
33	BF889252069	螺母 Nut
34	BF800211301	垫圈 Washer
35	BF310167021	螺钉M4X12 Screw
36	BF889272535	调节板 Regulator Plate
37	BF889240321	垫圈 Washer
38	BF8007018	螺钉M4X5 Screw
39	BF31016303448	垫片 Washer
4	BF889210129	开针偏心凸轮 Feed Eccent
40	BF889252658	螺母 Nut
41	BF889272539A	调节螺母 Nut
42	BF889240559	弹簧 Spring
43	BF889272538A	调节杆 Adjusting Bar
5	BF310164535	螺钉M3X4 Screw
6	BF889272501	送布凸轮 Eccent
7	BF800210130	送布凸轮簧 Flat Spring
8	BF800271001	销子 Pin
9	BF889202522	卡簧 Ring

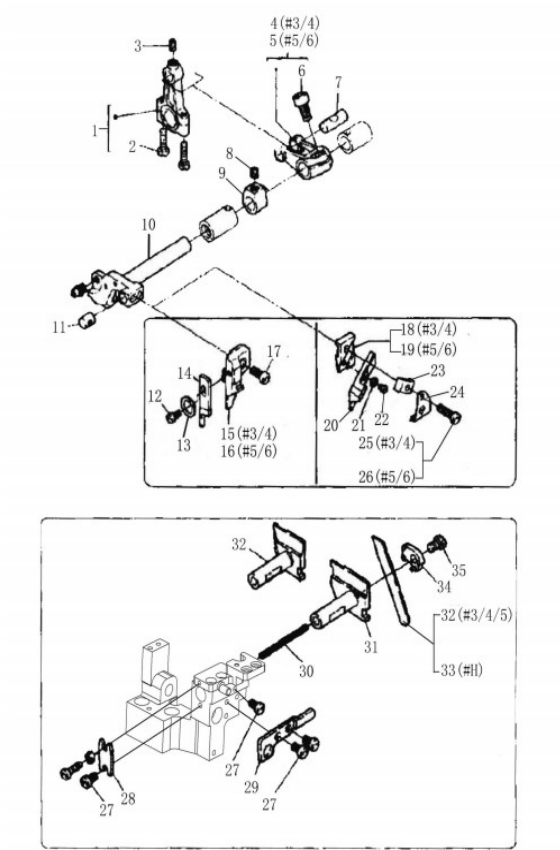
Feed Mechanism



零件编号 (number)	零件品号 (Product number)	零件名称 (Product name)
1	BF800208173	油封 Oil Seal
10	BF889272518	送布牙架连接销 Pin
11	BF889272515	送布牙架连接销 Pin
12	BF80045331	螺钉 (细) Screw
13	BF889272514-92	方口曲柄 (送布) Crank
14	BF310164805	垫圈 Washer
15	BF310164805	螺母M5X4 Nut
16	BF889240319	卡簧 ϕ 18.5 Ring
17	BF889201022	O型圈11.5X1.5 O Ring
18	BF889272525	偏心轴 Pin
19	BF310164543	螺钉M4X4 Screw
2	BF31016205061	卡簧 Ring
20	BF889240303	挡圈 Collar
21	BF889YJZJ	牙架组件 Feed Bar Assy.
22	BF889272528	差动牙架 Differential Feed Bar
23	BF889272526	送布牙架滑块 Block
24	BF889272527	送布牙架 Main Feed Bar
25	BF889272524	铜滑块 Block
26	BF889272517	连杆 Link
27	BF889240542	连杆套 Bushing

零件编号 (number)	零件品号 (Product number)	零件名称 (Product name)
28	BF31016240049	垫片 Washer
29	BF8897056	螺钉M5X13(细牙) 螺钉 Screw
3	BF889272516	送料轴 Shaft
30	XXXXXX	牙齿组件 Main Feed Dog Complete
31	XXXXXX	主送齿 Main Feed Dog
32	XXXXXX	辅助齿 Auxiliary
33	BF310167010	螺钉 Screw
34	XXXXXX	差动齿 Differential Feed Dog
35	BF8007013	螺钉M3.5X7.5 Screw
36	BF889ZTYJDG	牙架导轨(整体) Feed Bar
37	BF8897110	螺钉M4X9 Screw
38	BF889272521	挡油板 Feed Bar Oil Seal
39	BF889272617	挡油板 Feed Bar Oil Seal
4	BF800240311	垫圈 Washer
40	BF8894573	螺钉M4X6(内六角) Screw
5	BF889272510-91	差动器组件 Crank
6	BF889272510	差动曲柄 Crank
7	BF8007010	螺钉 Screw
8	BF889272512	滑块盖板 Crank
9	BF889272513	差动曲柄滑块 Crank Pin

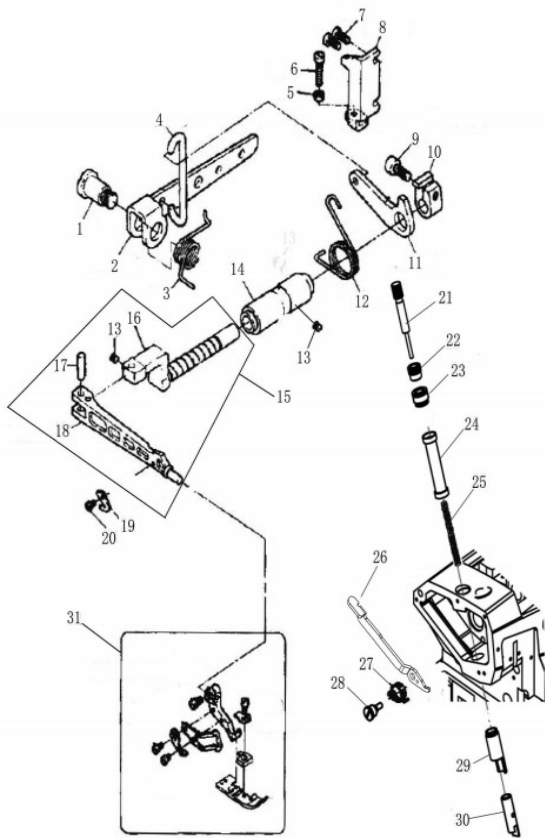
Knife Drive Mechanism



零件编号 (number)	零件品号 (Product number)	零件名称 (Product name)
1	BF889273000-92	上刀连杆 Connection
10	BF889273003	上刀架轴 Connection
11	BF889273006	上刀销 Screw
12	BF8007013	螺钉M3.5X7.5 Needle Bearing
13	BF9000628	垫片 Eccent Assembly
14	BF700M1311	上刀 Spring
15	BF889179712	上刀架四线 Screw
16	BF889179713	上刀架五线 Ratchet
17	BF310167021	螺钉M4X12 Gaket
18	BF889210756	四线斜上刀架 O Ring
19	BF889210757	五线斜上刀架 Washer
2	BF2002040103	螺钉 Regulator
20	BF889211662	极厚料斜上刀 Spring
21	BF889300248	垫片 Ring
22	BF8007008	螺钉 Push Button
23	BF889210758	斜上刀架压板 Screw
24	BF889179341-15	挡板 Link
25	BF310167023	螺钉M4*16 Screw
26	BF310167213	螺钉M4X22 Lever
27	BF8007019	螺钉M4X8 O Ring

零件编号 (number)	零件品号 (Product number)	零件名称 (Product name)
28	BF889273007	挡板 Shaft
29	BF889273010	挡板 Lever
3	BF8004538	螺钉 Screw
30	BF889240324	弹簧 Spring
31	BF889273008	下刀架 Screw
32	BF700M1317	下刀 Lower Knife
33	BF889277009	厚料下刀 Lower Knife
34	BF889273012	下刀压板 Lower Knife Clamp
35	BF8897173	螺钉M5X8 Screw
4	BF889273001-92	三四线上刀曲柄 Feed Eccent
5	BF889273002-92	五线上刀曲柄 Screw
6	BF80045331	螺钉(细) Eccent
7	BF800271001	销子 Flat Spring
8	BF310164547	螺钉 Pin
9	BF3202624023592	挡圈 Ring

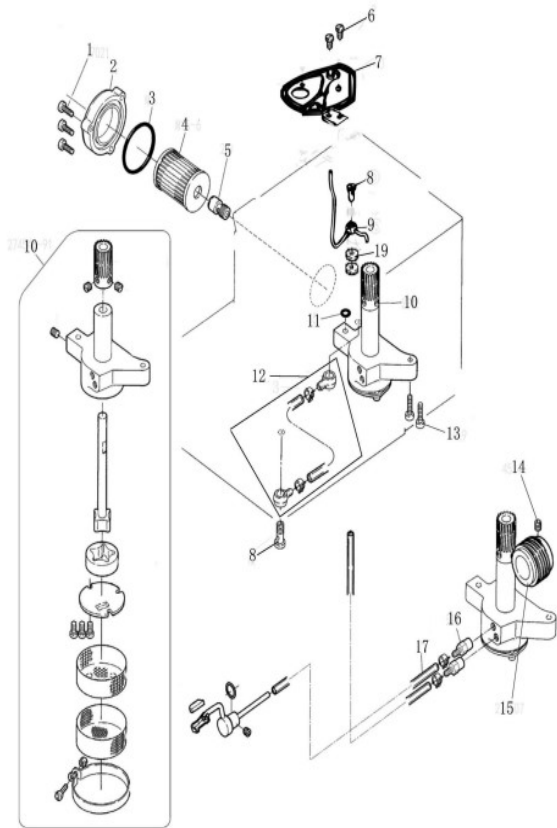
Presser Foot Mechanism



零件编号 (number)	零件品号 (Product number)	零件名称 (Product name)
1	BF8897060	螺钉 Screw
10	BF700KS22	压脚轴挡圈 Collar
11	BF800274004	抬牙脚杠杆 Lever
12	BF889274005A	弹簧 Spring
13	BF310164543	螺钉M4X4 Screw
14	BF8892T09	压脚轴套 Bushing
15	BF889274000-C	压脚臂组件 Presser Arm Assy.
16	BF889274001	压脚臂轴 Shaft
17	BF889208549	压脚臂轴 Shaft
18	BF889274000C	压脚臂 Presser Arm
19	BFX1530	割线刀 Chain Cutter
2	BF889274007	抬压脚杠杆 Lever
20	BF8007008	螺钉 Screw
21	BFX52740141	调节螺杆 Adjusting Screw
22	BFX52740151	压杆上套 Bushing
23	BF9000933	压杆上套 Bushing
24	BFX52201	压杆弹簧套 Bushing
25	BFX52087731	弹簧 Spring
26	KX1726	抬压脚扳手 Lever
27	BF8892740174	弹簧 Spring

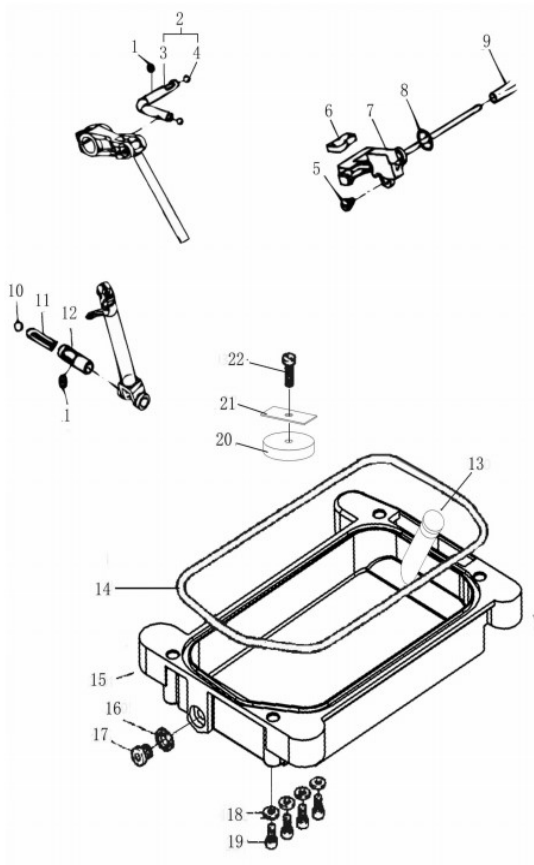
零件编号 (number)	零件品号 (Product number)	零件名称 (Product name)
28	BF9000919	压脚扳手螺钉 Screw
29	BFX50201	压杆套 Bushing
3	BF889274008	弹簧 Spring
30	BFX52740111	压杆 Lever
31	XXXXXXXXX	压脚组件 Presser Foot Assy.
4	BF800274006	压脚柄勾 Link
5	BF310164805	螺母M5X4 Nut
6	BF8007175	螺钉 Screw
7	BF8007019	螺钉M4X8 Screw
8	BF889274009	限位板 Stopper
9	BF700S101	螺钉 Screw

Lubrication Mechanism (1)



零件编号 (number)	零件品号 (Product number)	零件名称 (Product name)
1	BF310167021	螺钉M4X12 Screw
10	BF889T274546-91	油泵组件 Pump
11	BF889204185	O型圈6X1.8 O Ring
12	BF800youguan	油管 (长) Tube
13	BF8004529	螺钉 Screw
14	BF310164514	螺钉 M5*5 Screw
15	BF889T274507	蜗杆 Worm
16	BF800274592	铜油嘴 Joint
17	BF800youguan	油管 (长) oil pipe
2	BF2002150002	滤油器盖(喷漆后) Oil Clearer
3	BF700M159	滤油器盖密封圈 Seal Ring
4	BF700M156	纸滤油器 Filter Element
5	BF889T274528	油管接座 Oil Cljerner Joint
6	BF8007130	螺钉M4X7 Screw
7	BFX5274515A	接油盘 Oil Guard
8	BF800240328	螺钉 Joint Screw
9	BFX5274532A	分油器 Upper Scream

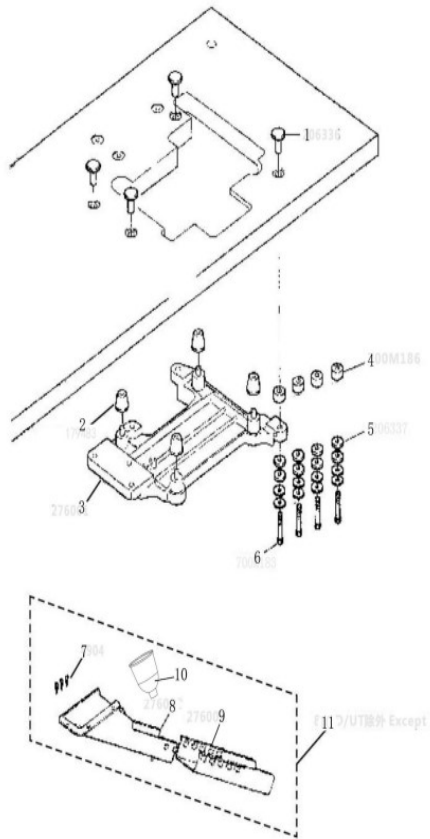
Lubrication Mechanism (2)



零件编号 (number)	零件品号 (Product number)	零件名称 (Product name)
1	BF310164543	螺钉M4X4 Screw
10	BF889240038	滚珠 Rubber Plug
11	BF889202175	油线 Oil Wick
12	BF889274514	上弯针滑杆过滤器 Pipe Assy.
13	KX1914	油位标 Oil Level Gauge
14	BF889274501	油盘油封 Gasket
15	BF889274503-91	EX油盘 Oil Reservoir
16	BF800202287A	油封 Washer
17	BF8005318B	螺丝 Screw
18	BF800240339	垫圈 Washer
19	BF310164531	螺钉 Screw
2	BF889274516-91	7型油管 Pipe
20	BF889CT	磁铁 Magnetic Iron
21	BF700M1528	油盘磁铁盖 Washer
22	BF700S027	螺钉 Screw
3	BF889274513	7型油管 Pipe
4	BF889240097	橡胶塞 Rubber Plug
5	BF8007019	螺钉M4X8 Screw
6	BF889274522	油棉 Oil Felt
7	BF889274523-91-3	吸油嘴组件 (3) Joint

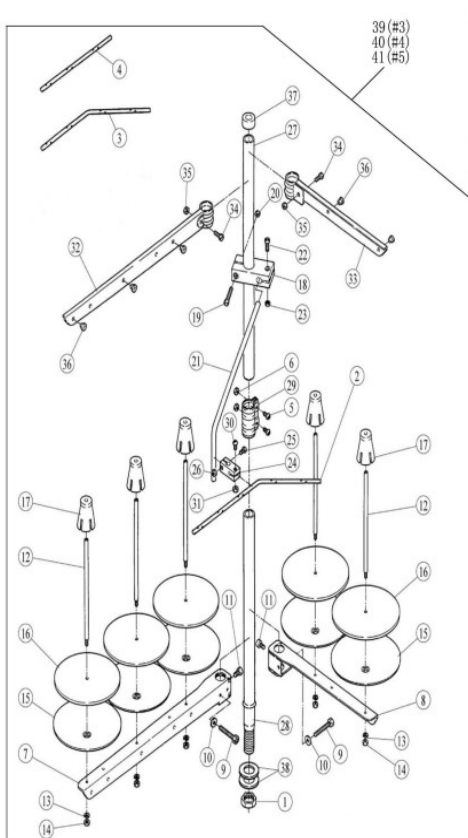
零件编号 (number)	零件品号 (Product number)	零件名称 (Product name)
8	BF889204185	O型圈6X1.8 O Ring
9	KB3309	油管φ2.9(市场件)米 Tube

Parts For Semi-Submerged Installation



零件编号 (number)	零件品号 (Product number)	零件名称 (Product name)
1	BF700M183	固定头 Nut
10	BF8892760022	漏斗 Funnel
11	BF889276002-UA	料斗 Waste Chute
2	BFX5179483	减震垫 Cushion Rubber
3	BF889276001	EX托盘 Rest Board
4	BF700M186	连接套 Washer
5	BF889206337	垫片 Washer
6	BF700M184	固定螺钉 Screw
7	BF8894904	木螺钉 Screw
8	BF889276002	料斗 Waste Chute
9	BF8892760021-UA	料斗 Waste Chute

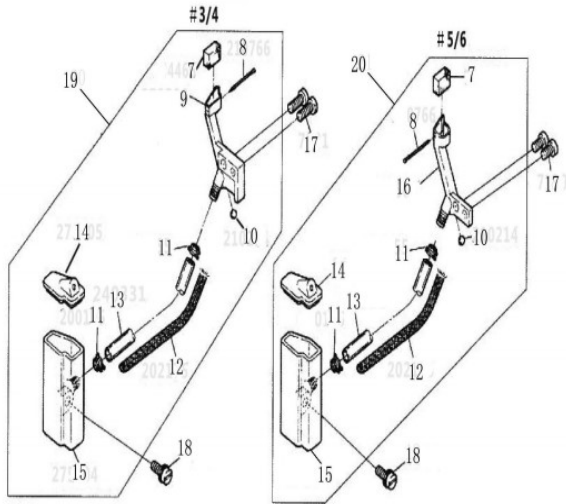
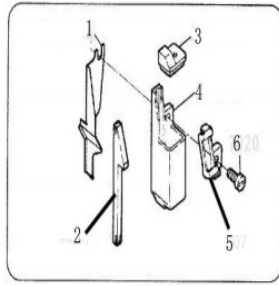
Thread Stand



零件编号 (number)	零件品号 (Product number)	零件名称 (Product name)
1	BF8894835	螺母 Nut
10	BF889512	垫片 Washer
11	BF8894022	螺钉 Screw
12	BF889380A	线棒 Spool pin
13	BF889201252	垫片 Spring washer
14	BF8894803	螺母 Nut
15	BF889381-PA	螺母 Nut
16	BF889507	线托盘 Spool mat
17	BF889382-PA	线固定套 Spool cushion
18	BF889383-PA	棒架 Holder
19	BF8894014	螺钉 Screw
2	BF889293A	过线棒 Thread guide(5-spool)
20	BF8894803	螺母 Nut
21	BF889384	导线棒 Thread guide arm
22	BF8894012	螺钉 Screw
23	BF8894803	螺母 Nut
24	BF889233-PA	固定器 Holder
25	BF8894012	螺钉 Screw
26	BF8894803	螺母 Nut
27	BF889502-PA	线架上棒 Column pipe (upper)

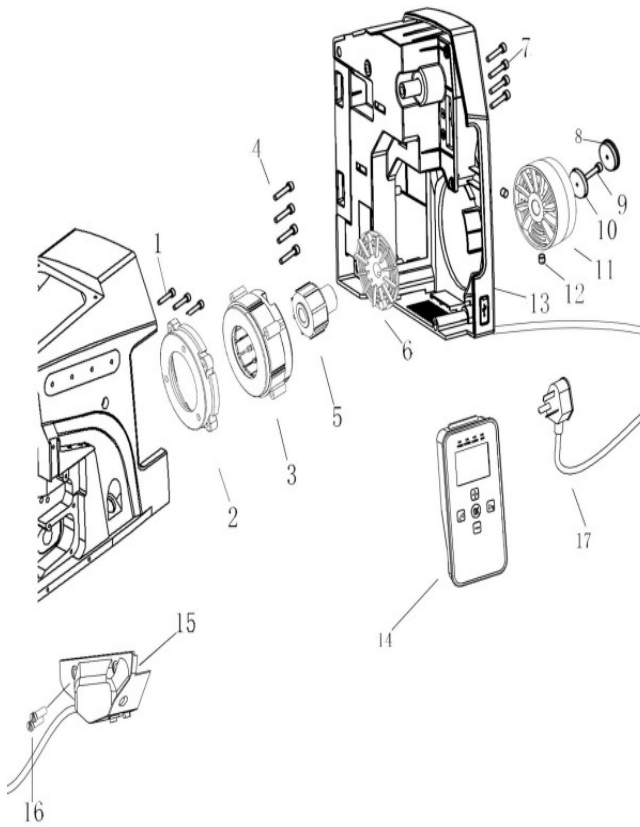
零件编号 (number)	零件品号 (Product number)	零件名称 (Product name)
28	BF889503-PA	线架下棒 Column pipe (lower)
29	BF889504-PA	锁紧卡固 Joint
3	BF889293B	过线棒 Thread guide(4-spool)
30	BF8894012	螺钉 Screw
31	BF8894803	螺母 Nut
32	BF889527-PA	长过线架 Thread hanger
33	BF889527APA	短过线架 Thread hanger
34	BF8894021	短过线架 Thread hanger
35	BF8894067	短过线架 Thread hanger
36	BF889506	过线套 Thread eyelet
37	BF889386	棒帽 Rod cap
38	BF889509	垫片 Washer
39	BF7003M17	三线线架组件 Thread Stand Component
4	BF889293C	过线棒 Thread guide(3-spool)
40	BF7004M17	四线线架组件 Thread Stand Component
41	BF7005M17	五线线架组件 Thread Stand Component
5	BF8894021	螺钉 Screw
6	BF8894067	螺母 M5 Nut
7	BF889505-PA	长线架 Thread hanger
8	BF889505APA	短线架 Thread hanger
9	BF8897102	螺钉 Screw

H.R.Device



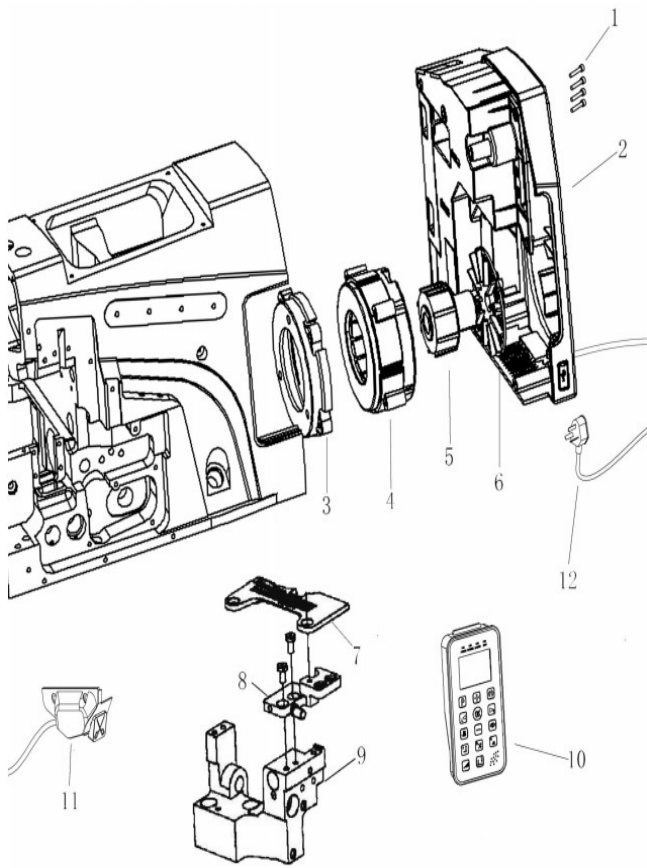
零件编号 (number)	零件品号 (Product number)	零件名称 (Product name)
1	BF889270084	挡油板 Cover
10	BF889210214	钢珠 Plug
11	BF889200155	油管夹 Clamp
12	BF889202175	油棉 Felt
13	BF889240331	四线硅油盒橡皮管 Tube
14	BF889275505	四线硅油盒组件1 Cover
15	BF889275504	四线硅油盒 Silicone Oil Reservoir
16	BF8892755091	五线下硅油盒 Needle Thread Lubricator
17	BF8007019	五线下硅油盒 Needle Thread Lubricator
18	BF310167020	五线下硅油盒 Needle Thread Lubricator
19	BF889275506	四线下硅油盒组件Silicone Oil Reservoir
2	BF889275508	油棉 Felt
20	BF889275509	五线下硅油盒组件Silicone Oil Reservoir
3	BF889275501	油棉 Felt
4	BF889275500	硅油盒 Silicone Oil Reservoir
5	BF889275507	冷却器压板 - 五线 Thread Guide
6	BF889275507	螺钉M4X10 Screw
7	BF889204466	四线硅油盒油棉 Felt
8	BF889210766	别针 Pin
9	BF8892755061	四线下硅油盒 Needle Thread Lubricator

Electronic Control parts (1)



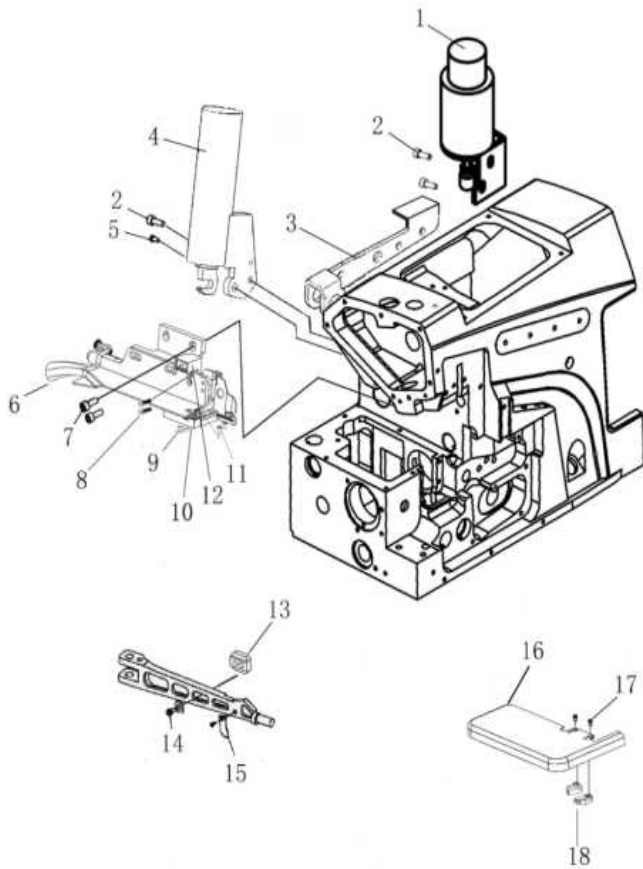
零件编号 (number)	零件品号 (Product number)	零件名称 (Product name)
1	BF310167052	电机座螺钉 Screw
10	BFXSLDP	手轮垫片 Washer
11	BFXSL	手轮 Hand Wheel
12	BF310164514	螺钉 Screw
13	BFX1CZDK	主电控(直驱) Controller
14	BFX1CCZMB	操作面板(直驱) Bracket
15	BFX1CDZJ	灯 Floodlight
16	BF140130	螺钉 Screw
17	BFX5SDYX	电控电源线 Power Cord
2	BFX5SDJZ	电机座 Base
3	BFX1CDJZJ-1	电机 Base
4	SGJ2010	定子螺钉 Screw
5	BFX1CDJZJ-2	电机转子 Motor Rotor
6	BFX5SFS	风扇 Fan
7	SCJ2013	螺钉 Screw
8	BFXSL	手轮胶塞 Plug
9	BFXSLLD	手轮螺钉 Screw

Electronic Control parts (2)



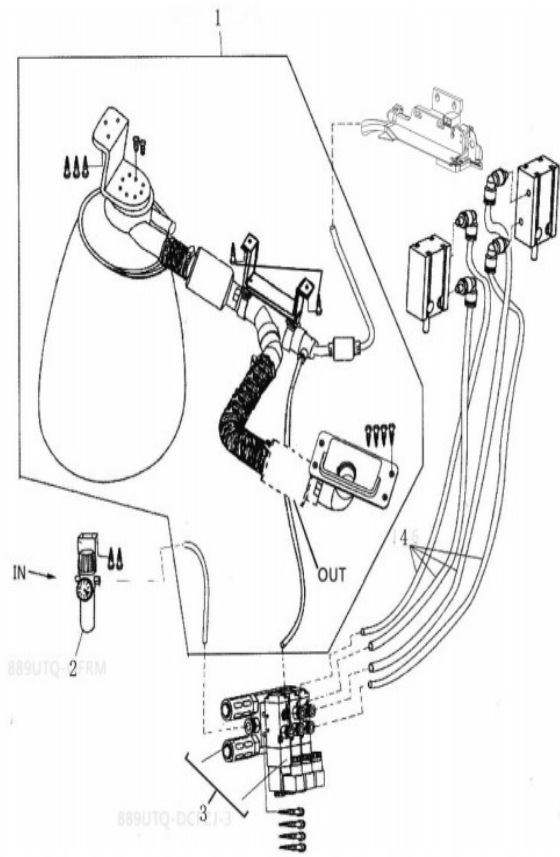
零件编号 (number)	零件品号 (Product number)	零件名称 (Product name)
1	PFQ50145	螺钉 Screw
10	BFX5SCZMB	下刀座(UT) Bracket Assembly
11	BFX5SSGY	上光眼 Indicator
12	BFX5SDYX	电控电源线 Power Cord
2	BFX5SZDK	螺钉 Screw
3	BFX5SDJZ	螺钉 Screw
4	BFX5SDJZJ-1	电机定子 Motor Stator
5	BFX5SDJZJ-2	电机转子 Motor Rotor
6	BFX5SFS	电机转子 Motor Rotor
7	XXXXXXXX	电机转子 Motor Rotor
8	BF889UT271010-UT	针板垫块-前(UT) Bracket
9	BF889UT270008-UT	下刀座(UT) Bracket Assembly

Automatic Trimming Parts



零件编号 (number)	零件品号 (Product number)	零件名称 (Product name)
1	BFX5STYDJC	X5S抬压脚电磁铁 Electromagnet Assembly
10	BFX5SDZGY	刀组光眼 Indicator
11	BF8897259	螺钉 Screw
12	BFX5SDZAQKG	刀组安全开关 Safety switch
13	BFX5SYJCG	X5S压脚臂磁钢 Magnetic Iron
14	BF8007130	螺钉 Screw
15	BF889UTHS	安全护手 Bracket
16	BF889UT270037-UT-2	缝台组件(UT) Cloth Plate
17	BF8007041	螺钉 Screw
18	BFX5SXGY	下光眼 (X5S) Indicator
2	SCJ2016	螺钉 Screw
3	BF889UT274007-UT	抬压脚杠杆(UT) Lever
4	BFX5SJXDCT	X5S剪线电磁铁 Electromagnet Assembly
6	BFX5JXDZJ-1	剪线刀组件 (无光眼) Cutter Assembly
7	SCJ2016	螺钉 Screw
8	BF8007041	螺钉 Screw
9	PF1310A16	光眼螺钉 Screw

Specific Parts



零件编号 (number)	零件品号 (Product number)	零件名称 (Product name)
1	BF889UT-JCZZ	集尘装置 Dust Collection Device
2	BF889UTQ-OFRM	调压过滤器 Pressure Gauge
3	BF889UTQ-DCFZJ-3	三组电磁阀组件 Electromagnetic Valve
4	BFPU6	气管 Tube

По вопросам продаж и поддержки обращайтесь:

Алматы (7273)495-231
Архангельск (8182)63-90-72
Астрахань (8512)99-46-04
Барнаул (3852)73-04-60
Белгород (4722)40-23-64
Брянск (4832)59-03-52
Владивосток (423)249-28-31
Волгоград (844)278-03-48
Вологда (8172)26-41-59
Воронеж (473)204-51-73
Екатеринбург (343)384-55-89
Иваново (4932)77-34-06
Ижевск (3412)26-03-58
Иркутск (395)279-98-46
Россия (495)268-04-70

Казань (843)206-01-48
Калининград (4012)72-03-81
Калуга (4842)92-23-67
Кемерово (3842)65-04-62
Киров (8332)68-02-04
Краснодар (861)203-40-90
Красноярск (391)204-63-61
Курск (4712)77-13-04
Липецк (4742)52-20-81
Магнитогорск (3519)55-03-13
Москва (495)268-04-70
Мурманск (8152)59-64-93
Набережные Челны (8552)20-53-41
Нижний Новгород (831)429-08-12
Киргизия (996)312-96-26-47

Новокузнецк (3843)20-46-81
Новосибирск (383)227-86-73
Омск (3812)21-46-40
Орел (4862)44-53-42
Оренбург (3532)37-68-04
Пенза (8412)22-31-16
Пермь (342)205-81-47
Ростов-на-Дону (863)308-18-15
Рязань (4912)46-61-64
Самара (846)206-03-16
Санкт-Петербург (812)309-46-40
Саратов (845)249-38-78
Севастополь (8692)22-31-93
Симферополь (3652)67-13-56
Казахстан (7172)727-132

Смоленск (4812)29-41-54
Сочи (862)225-72-31
Ставрополь (8652)20-65-13
Сургут (3462)77-98-35
Тверь (4822)63-31-35
Томск (3822)98-41-53
Тула (4872)74-02-29
Тюмень (3452)66-21-18
Ульяновск (8422)24-23-59
Уфа (347)229-48-12
Хабаровск (4212)92-98-04
Челябинск (351)202-03-61
Череповец (8202)49-02-64
Ярославль (4852)69-52-93