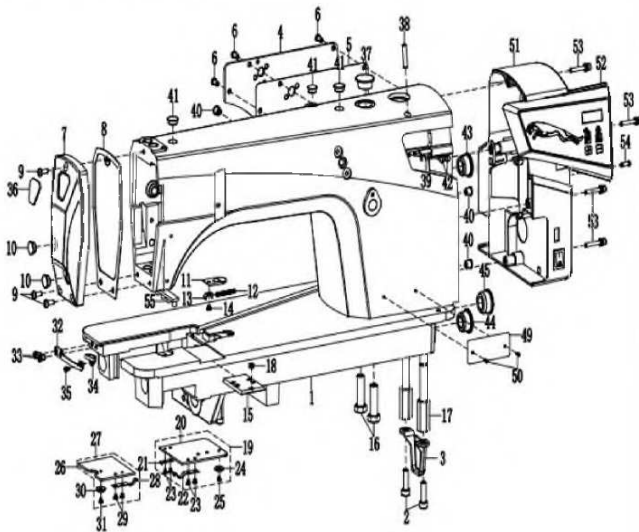


По вопросам продаж и поддержки обращайтесь:

Алматы (7273)495-231	Казань (843)206-01-48	Новокузнецк (3843)20-46-81	Смоленск (4812)29-41-54
Архангельск (8182)63-90-72	Калининград (4012)72-03-81	Новосибирск (383)227-86-73	Сочи (862)225-72-31
Астрахань (8512)99-46-04	Калуга (4842)92-23-67	Омск (3812)21-46-40	Ставрополь (8652)20-65-13
Барнаул (3852)73-04-60	Кемерово (3842)65-04-62	Орел (4862)44-53-42	Сургут (3462)77-98-35
Белгород (4722)40-23-64	Киров (8332)68-02-04	Оренбург (3532)37-68-04	Тверь (4822)63-31-35
Брянск (4832)59-03-52	Краснодар (861)203-40-90	Пенза (8412)22-31-16	Томск (3822)98-41-53
Владивосток (423)249-28-31	Красноярск (391)204-63-61	Пермь (342)205-81-47	Тула (4872)74-02-29
Волгоград (844)278-03-48	Курск (4712)77-13-04	Ростов-на-Дону (863)308-18-15	Тюмень (3452)66-21-18
Вологда (8172)26-41-59	Липецк (4742)52-20-81	Рязань (4912)46-61-64	Ульяновск (8422)24-23-59
Воронеж (473)204-51-73	Магнитогорск (3519)55-03-13	Самара (846)206-03-16	Уфа (347)229-48-12
Екатеринбург (343)384-55-89	Москва (495)268-04-70	Санкт-Петербург (812)309-46-40	Хабаровск (4212)92-98-04
Иваново (4932)77-34-06	Мурманск (8152)59-64-93	Саратов (845)249-38-78	Челябинск (351)202-03-61
Ижевск (3412)26-03-58	Набережные Челны (8552)20-53-41	Севастополь (8692)22-31-93	Череповец (8202)49-02-64
Иркутск (395)279-98-46	Нижний Новгород (831)429-08-12	Симферополь (3652)67-13-56	Ярославль (4852)69-52-93
Россия (495)268-04-70	Киргизия (996)312-96-26-47	Казахстан (7172)727-132	

1. 机壳分组件 Arm bed components

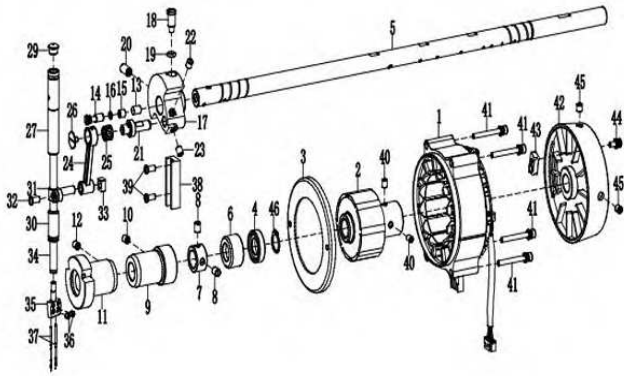


零件编号 (number)	零件品号 (Product number)	零件名称 (Product name)	3800 用量 (Number of 3800 used)
01	031204014	机壳部件 Arm bed kompte	1
02	PF3800006	底板支撑螺钉 Screw	2
03	PF38000103	底板支撑板 Bed support	1
04	PF38000104L	后窗板 Side plate	1
05	PF380001051	后窗板垫 Gasket	1
06	PF6150211	后窗板螺钉 Side plaic screw	8
07	PR3800DP010702	面板 Face plate	1
08	PR3800DP0108	面板垫 Face plate gasket	1
09	PF6150107	面板螺钉 Screw	3
10	PF6150104	面板调节螺孔塞 Rubber plug	2
11	PF38000111	凸轮盖压板 Cam cover latch	1
12	PF38000112	凸轮盖压板弹簧 Spring	1
13	PF38000113	凸轮盖压板弹簧座 Spring suspension	1
14	PF38000114	凸轮盖压板座螺钉 Screw	1
15	PF38000115	附件安装板 Attachment installing plate	1
16	SCJ2102	拼装螺钉 Screw	2
17	SK931204301-1	拼装长螺钉 Screw	1
18	PF38000118	附件安装板定位螺钉 Screw	1
19	PF38000119	凸轮盖部件 Cam cover asm	1
20	PF38000120	凸轮盖 Cam cover	1
21	PF38000121	凸轮盖托板 Cam cover	1
22	PF38000122	凸轮盖弹簧 Spring	1
23	PF38000118	凸轮盖弹簧螺钉 Screw	4
24	PF38000124	凸轮盖导轮 Cam cover guide	1
25	PF38000118	凸轮盖导轮螺钉 Screw	1
26	PF38000126	推板部件 Bed slide asm	1
27	PF38000127	推板 Bed slide	1

零件编号 (number)	零件品号 (Product number)	零件名称 (Product name)	3800 用量 (Number of 3800 used)
28	PF38000128	推板簧 Spring	1
29	PF38000118	推板簧螺钉 Screw	2
30	PF38000130	推板导轮 Bed slide guide	1
31	PF38000118	推板导轮螺钉 Screw	1
32	PF38000132	推板锁簧 Bed slide lock spring	1
33	PF5550725	推板锁簧螺钉 Screw	2
34	PF38000134	推板簧把手 Latch	1
35	PF5550834	推板簧把手螺钉 Screw	1
36	PFQ50140	面板装饰牌 Plate	1
38	SCJ2011	内六角螺钉 Screw	1
39	PFQ5150	支架 Stand	1
40	PF38000140	轴套定位螺纹孔塞 Rubber plug	3
41	PF8420M-D30646	上轴套油线孔塞 Rubber plug	3
42	PFQ5149	支架固定螺钉 Screw	2
43	PF38000143	送料针距调节器孔塞 Rubber plug	1
44	PF38000144	拾牙轴孔塞 Rubber plug	1
45	PF38000145	下轴盲孔塞 Rubber plug	1
49	PFQ60113	型号牌 Name Plate	1
50	PFQ60121	型号牌铆钉 Rivet	2
51	PFQ1190	电机罩组件 Pilley cover asm	1
52	PFQ1190	操作面板组件 Operation panel	1
53	SCJ2004	内六角螺钉 Screw	4
54	SCJ2035	自攻螺钉 Screw	1
55	PR38000150	LED灯 LED	1

Main shaft & needle bar components

2、上轴杆杆分组件 Main shaft & needle bar components

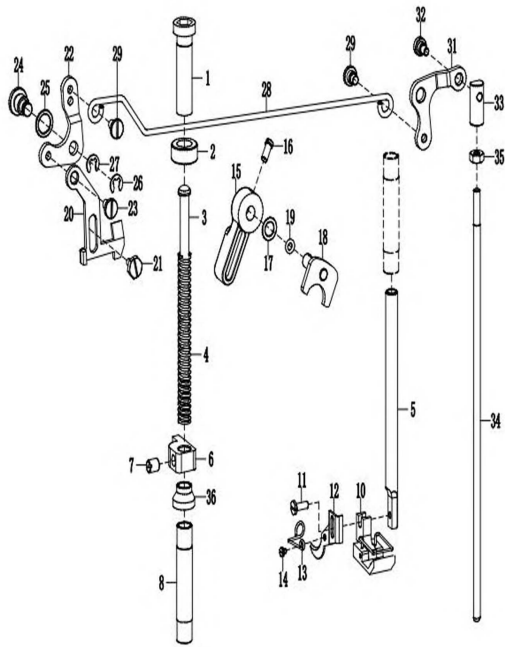


零件编号 (number)	零件品号 (Product number)	零件名称 (Product name)	3800 用量 (Number of 3800 used)
01	PF9802DP0219	无壳电机组件 Motor stator	1
02	PF9802DP0219	电机转子 Motor rotor	1
03	PF9802DP0219	塑料绝缘垫圈 Insulated washer	1
04	PF38000204	上轮油封 Oil seal	1
05	PR3800DP0205	上轴 Main shaft	1
06	PR3800DP0206	上轴后套部件 Main shaft bushingear	1
07	PF38000207	上轴挡圈 Main shaft thrust collar	1
08	PF555047	上轴挡圈螺钉 Screw	2
09	PF38000209	上轴中轴套部件 Main shaft bushing intermediate	1
10	PF555056	中轴套螺钉 Screw	1
11	PF38000211	上轴前轴套部件 Main shaft bushing front	1
12	PF5550227	轴套螺钉 Bushing screw	1
13	PF5550211	曲柄油量限制毡 Roller felt	1
14	PF5550212	曲柄油量调节销 Crank oil adjusting pin	1
15	PF5550213	曲柄油量调节销套 Rubber bushing	1
16	PF5550214	曲柄油量调节销O形圈 O-Rubbcr ring	1
17	PF3800021701	针杆曲柄 Counterweight asm	1
18	PF5550216	针杆曲柄定位螺钉 Screw	1
19	PF5550217	定位螺钉O形圈 O-Rubbcr ring	1
20	PF5550218	针杆曲柄紧固螺钉 Screw	1
21	PF38000221	针杆连杆销 Needle crank	1
22	PF5550330	挑线曲柄定位螺钉 Screw	1
23	PF5550330	挑线曲柄螺钉 Screw	1
24	PF555031	针杆连杆 Needle bar crank rod	1
25	PF555022401	针杆连杆滚针轴承 Needle roller bearing	1
26	PF5550228	针杆连杆左旋螺钉 Left twist screw	1
27	PF38000227	针杆上衬套 Needle bar bushing upper	1

零件编号 (number)	零件品号 (Product number)	零件名称 (Product name)	3800 用量 (Number of 3800 used)
29	PF555037	针杆上衬套孔塞 Rubber plug	1
30	PF5550H38	针杆下衬套 Needle bar bushing lower	1
31	PF555033	针杆连接柱 Needle bar connection asm	1
32	PF5550340	针杆连接柱螺钉 Screw	1
33	PF555035	针杆连接柱滑块 Crank slide block	1
34	PF38000234	针杆 Needle bar	1
35	PF38000235	针夹 (1/4") Needle clamp (1/4")	1
36	PF5550340	支针螺钉 Screw	2
37	PFDTTV716	机针 Needle	2
38	PF5550341	针杆接头滑块导轨 Slide block bushing	1
39	PF6150227	滑块导轨螺钉 Screw	2
40	PF1310D239	内六角螺钉 Screw	2
41	SCJ2006	内六角螺钉 Screw	4
42	PF9802DP0221	手轮 Hand wheel	1
43	PF9802DP0223	磁钢 Magnetic steel	1
44	SCJ2038	自带垫片螺钉 Screw	1
45	PF1790S033	手轮螺钉 Screw	2
46	SCJ1036	轴用挡圈 Retaining ring	1

Presser bar components

3. 压料分组件 Presser bar components

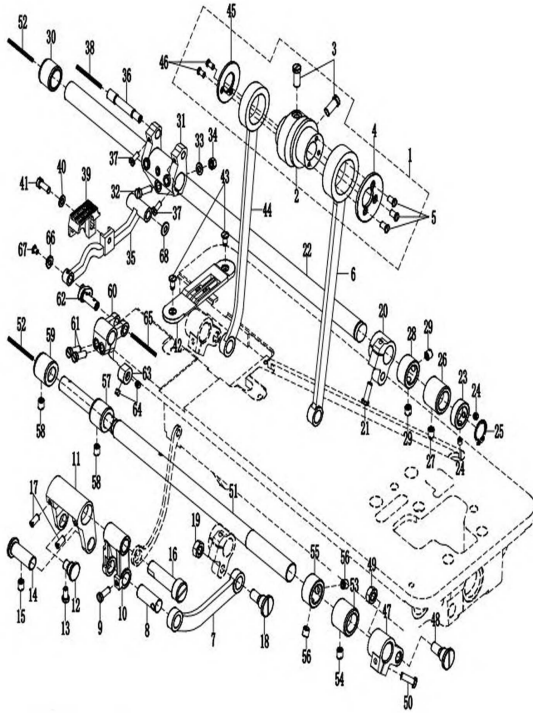


零件编号 (number)	零件品号 (Product number)	零件名称 (Product name)	3800 用量 (Number of 3800 used)
01	PF555041	调压螺钉 Presser spring regulaior	1
02	PF555042	调压螺钉螺母 Nut	1
03	PF555043	调压导杆 Presser bar guide bar	1
04	PF555044	调压簧 Presser spring	1
05	PF38000305	压杆 Presser bar	1
06	PF3800DP0306	压杆导架 Presser bar guide bracket asm	1
07	PF555047	压杆导架螺钉 Screw	1
08	PF5550410	压杆衬套 Presser bar bushing lowcr	1
10	PF38000310	压脚部件 (1/4") Presser foot asm	1
11	PF5550412	压脚螺钉 Screw	1
12	PF38000312	切线刀 Thread knife	1
13	PF38000313	切线刀导钩 Thcad knife guide	1
14	PF03021561	切线刀导钩螺钉 Screw	1
15	PF38000315Q	压脚扳手 Hand lifter	1
16	PF555016	压脚扳手螺钉 Screw	1
17	PF38000317	压脚扳手垫圈 Washer	1
18	PF3800031803	压脚扳手凸轮部件 Hand lifter cam asm	1
19	PF5550416	压脚扳手轴O形圈 O-Rubbcr ring	1
20	PF38000320	压脚升降板 Lifting lever	1
21	PF38000321	升降板轴位螺钉 Hinge screw	1
22	PF38000322	抬压脚前杠杆 Lifting link for lifting kver	1
23	PF38000323	前杠杆轴位螺钉 Hinge screw	1
24	PF38000324	前杠杆螺纹销 Hinge pin	1
25	PF38000325	前杠杆螺纹销垫圈 Lifting lever gasket	1

零件编号 (number)	零件品号 (Product number)	零件名称 (Product name)	3800 用量 (Number of 3800 used)
26	SCJ1009	前杠杆开口挡圈 Snap ring	1
27	SCJ1009	前杠杆开口挡圈 Snap ring	1
28	PF38000328	抬压脚拉杆 Lifting lever connecting rod	1
29	PF38000323	抬压脚拉杆螺钉 Hinge screw	2
31	PF38000331	抬压脚后杠杆 Lifting kver link rear	1
32	PF38000332	后杠杆轴位螺钉 Hinge screw	1
33	PF38000333	抬压脚顶杆接头 Swivel	1
34	PF38000334	抬压脚顶杆 Lifting lever connecting rod.vortical	1
35	PF38000335	抬压脚顶杆螺母 Nut	1
36	PF5550432	压杆密封套 Rubber rule	1

Feed mechanism components

4. 送料分组件 Feed mechanism components



零件编号 (number)	零件品号 (Product number)	零件名称 (Product name)	3800 用量 (Number of 3800 used)
01	PF38000401	送料偏心轮部件 Feed eccentric cam asm	1
02	PF38000402	送料偏心轮 Feed eccentric cam	1
03	PF555063	送料偏心轮螺钉 Screw	2
04	PF38000404	送料偏心轮盖板 Feed eccentric thrust washer	1
05	PF555065	偏心轮盖板螺钉 Screw	3
06	PF38000406	送料大连杆 Feed rocker shaft connecting rod	1
07	PF38000407	送料小连杆 Connecting rod	1
08	PF38000408	送料连杆销 Connecting pin	1
09	PF6150607	送料连杆销螺钉 Screw	1
10	PF38000410	送料摆杆 Feed driving rocker asm	1
11	PF38000411	送料摆杆座 Feed driving rocker	1
12	PF38000412	送料摆杆座左销 Hinge pin	1
13	PF6150227	送料摆杆座左销螺钉 Screw	1
14	PF38000414	送料摆杆座右销 Hinge pin	1
15	PF555022	送料摆杆座右销螺钉 Screw	1
16	PF38000416	送料摆杆销 Hinge pin	1
17	PF38000417	送料摆杆销螺钉 Screw	2
18	PF38000418	送料曲柄轴位螺钉 Hinge screw	1
19	PF5550651	送料曲柄轴位螺母 Nut	1
20	PF38000420	送料曲柄 Feed rocker shaft crank	1
21	PF5550621	送料曲柄螺钉 Screw	1
22	PF38000422	送料轴 Feed rocker	1
23	PF38000423	送料轴薄挡圈 Thrust collar	1
24	PF5550511	送料轴薄挡圈螺钉 Screw	2

零件编号 (number)	零件品号 (Product number)	零件名称 (Product name)	3800 用量 (Number of 3800 used)
25	SCJ1036	送料轴轴用挡圈 Retaining ring	1
26	PF38000426	送料轴后轴套 Bushing	1
27	PF555029	送料轴后轴套螺钉 Screw	1
28	PF5550653	送料轴挡圈 Thrust collar	1
29	PF555027	送料轴挡圈螺钉 Screw	2
30	PF38000430	送料轴前轴套 Bushing	1
31	PF38000431	牙架座 Feed rocker	1
32	PF38000432	牙架座螺钉 Screw	1
33	PF5550630	牙架座螺钉垫圈 Washer	1
34	PF38000434	牙架座螺钉螺母 Nut	1
35	PF38000435	牙架 Feed bar	1
36	PF38000436	牙架销 Feed bar shaft	1
37	PF555049	牙架销螺钉 Screw	2
38	PF5550627	牙架销油线 Oil wick	1
39	PF38000439	送料牙 (1/4	1
40	PF5550630	送料牙垫圈 Washer	1
41	PF615067	送料牙螺钉 Screw	1
42	PF38000442	针板 (1/4	1
43	PF5550637	针板螺钉 Screw	2
44	PF38000444	抬牙大连杆 Feed driving shaaft conoccting rod	1
45	PF38000445	抬牙连杆凸轮盖 Feed driving eccentric thrust washer	1
46	PF38000446	抬牙连杆凸轮盖螺钉 Screw	2
47	PF38000447	抬牙后曲柄 Feed driving shaft crank rear	1
48	PF38000418	抬牙连杆轴位螺钉 Hinge screw	1
49	PF5550651	抬牙连杆轴位螺母 Nut	1
50	PF5550621	抬牙后曲柄紧固螺钉 Screw	1
51	PF38000451	抬牙轴 Feed driving shaft	1
52	PF5550627	抬牙轴油线 Oil wick	1
53	PF38000426	抬牙轴后轴套 Bushing	1
54	PF5550615	抬牙轴后轴套螺钉 Screw	1
55	PF38000207	抬牙轴后轴套挡圈 Thrust collar	1
56	PF555027	后轴套挡圈螺钉 Screw	2
57	PF38000457	抬牙轴中轴套 Bushing	1
58	PF5550227	抬牙轴中轴套螺钉 Screw	1
59	PF38000459	抬牙轴前轴套 Bushing	1
60	PF38000460	抬牙轴前曲柄 Feed rocker shaft crank	1
61	PF38000461	抬牙轴前曲柄螺钉 Screw	2
62	PF38000462	牙架连杆 Feed bar link	1
63	PF38000463	牙架连杆挡圈 Thrusi collar	1
64	PF5550511	牙架连杆挡圈螺钉 Screw	1
65	PF5550627	牙架连杆油线 Oil wick	1
66	PF38000466	牙架连杆锥孔垫圈 Countersunk washer	1
67	PF38000467	牙架连杆垫圈螺钉 Screw	1

零件编号
(number)

零件品号
(Product number)

零件名称
(Product name)

3800 用量
(Number of 3800 used)

68

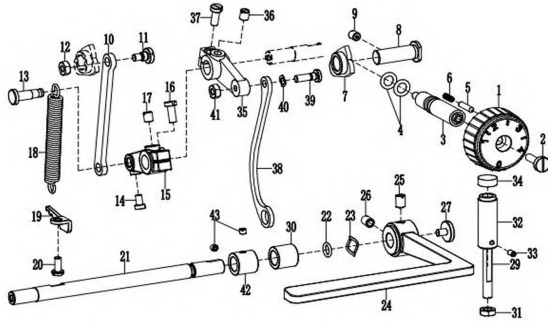
PF38000468

牙架销垫片 Washer

1

Feed regulating components

5. 送料调节分组件 Feed regulating components

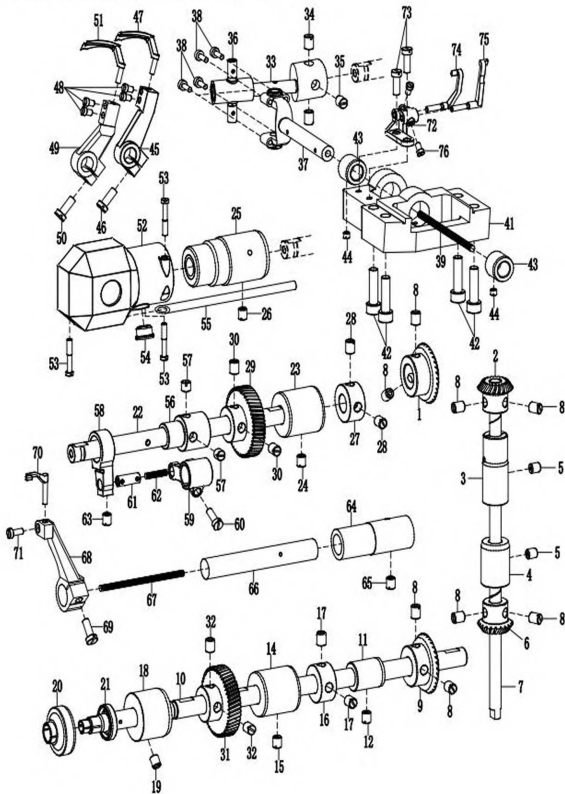


零件编号 (number)	零件品号 (Product number)	零件名称 (Product name)	3800 用量 (Number of 3800 used)
01	PF38000501Q	送料距旋钮部件 Stitch dial asm	1
02	PF555072	送料距旋钮螺钉 Screw	1
03	PF38000503	送料调节螺柱 Feed regulating screw	1
04	PF38000504	送料调节螺柱O形圈 O-Rubbcr ring	1
05	PF38000505	送料距锁合销 Stitch dial lock pin	1
06	PF555076	送料距锁合销簧 Stitch dial lock spring	1
07	PF38000507	送料调节器 Feed regulator	1
08	PF38000508	送料调节器销 Hinge pin	1
09	PF5550330	送料调节器销螺钉 Screw	1
10	PF38000510	送料调节器连杆 Feed regulator connecting rod	1
11	PF38000511	调节器连杆轴位螺钉 Hingr screw	1
12	PF38000512	调节器连杆轴位螺母 Nut	1
13	PF38000513	拉簧调节曲柄销 Tension spring suspension stud	1
14	PF5550633	拉簧调节曲柄销螺钉 Screw	1
15	PF38000515	拉簧调节曲柄 Tension spring suspension crank	1
16	PF5550648	调节曲柄紧固螺钉 Screw	1
17	PF5550330	调节曲柄定位螺钉 Screw	1
18	PF38000518	倒送料轴拉簧 Tension spring	1
19	PF38000519	拉簧固定板 Suspension bracket	1
20	PF6150107	拉簧固定板螺钉 Screw	1
21	PR3800DP0521	倒送料轴 Reverse feed control kver shaft	1
22	PF6150624	倒送料轴O形圈 O-Rubbcr ring	1
23	SCJ3028	倒送料轴弹性垫圈 Waved washer	1
24	PFQ1565	倒送料扳手 Reverse feed control tever	1
25	PF5550718	倒送料扳手定位螺钉 Screw	1
26	PF5550719	倒送料扳手螺钉 Screw	1
29	PF38000529	倒送料挡块螺杆 Screw	1
30	PF38000542	倒送料轴轴套 Bushing	1

零件编号 (number)	零件品号 (Product number)	零件名称 (Product name)	3800 用量 (Number of 3800 used)
31	PF38000531	挡块螺杆螺母 Nut	1
32	PF38000532	倒送料挡块 Lever stopper	1
33	PF38000533	倒送料挡块螺钉 Screw	1
34	PF38000534	倒送料挡块橡胶垫 Rubber cushion	1
35	PF38000535	倒送料曲柄 Control lever crank rear	1
36	PF5550615	倒送料曲柄定位螺钉 Screw	1
37	PF5550648	倒送料曲柄螺钉 Screw	1
38	PF38000538	倒送料连杆 Rccd driving rocker arm connecting	1
39	PF38000539	倒送料连杆轴位螺钉 Screw	1
40	PF38000540	倒送料连杆轴位垫圈 Washer	1
41	PF38000512	倒送料连杆轴位螺母 Nut	1

Looper thread retainer components

6. 弯针勾线分组件 Looper thread retainer components



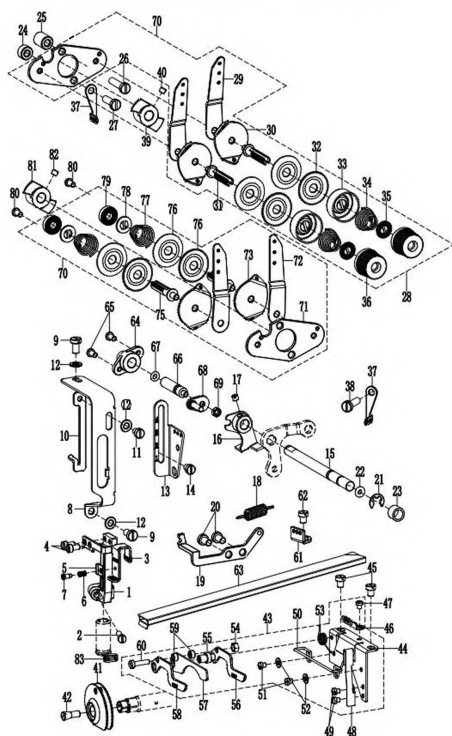
零件编号 (number)	零件品号 (Product number)	零件名称 (Product name)	3800 用量 (Number of 3800 used)
01	PF380006011	上轴伞齿轮 Gear asm	1
02	PF380006021	竖轴上半伞齿轮 Gear asm	1
03	PF38000603	竖轴上轴套 Bushing	1
04	PF5550521	竖轴下轴套部件 Bushing	1
05	PF5550227	竖轴轴套螺钉 Screw	2
06	PF380006061	竖轴下半伞齿轮 Gear asm	1
07	PF38000607	竖轴 Uprighu shaft	1
08	PF555047	伞齿轮螺钉 Screw	8
09	PF380006091	下轴伞齿轮 Gear asm	1
10	PF38000610	下轴 Lower shaft	1
11	PF38000611	下轴后轴套 Bushing	1
12	PF5550227	下轴后轴套螺钉 Screw	1
14	PF38000614	下轴中轴套部件 Bushing	1
15	PF5550227	下轴中轴套螺钉 Screw	1
16	PF38000616	下轴挡圈 Thrust collar	1
17	PF5550719	下轴挡圈螺钉 Screw	2
18	PF38000618	下轴轴套部件 Bushing	1
19	PF5550227	下轴轴套螺钉 Screw	1
20	PF38000620	下轴前轴套油封套 Looper thread guard bushing	1
21	PF38000621	下轴前轴套油封 Oil seal	1
22	PF38000622	弯针轴 Looper rocker shaft	1
23	PF38000614	弯针轴后轴套部件 Bushing	1

零件编号 (number)	零件品号 (Product number)	零件名称 (Product name)	3800 用量 (Number of 3800 used)
24	PF5550227	弯针后轴套螺钉 Screw	1
25	PF38000625	弯针轴前轴套部件 Bushing	1
26	PF5550227	弯针轴前轴套螺钉 Screw	1
27	PF38000616	弯针轴挡圈 Thrust collar	1
28	PF5550719	弯针轴挡圈螺钉 Screw	2
29	PF380006291	主动弯针齿轮 Gear asm	1
30	PF5550719	主动弯针齿轮螺钉 Screw	2
31	PF380006311	被动弯针齿轮 Gear asm	1
32	PF5550719	被动弯针齿轮螺钉 Screw	2
33	PF38000633	弯针曲柄 Loopcr crank asm	1
34	PF5550719	弯针曲柄螺钉 Screw	2
35	PF38000635	弯针曲柄调节螺钉 Screw	1
36	PF38000636	弯针十字接头部件 Trunnion asm	1
37	PF38000637	弯针摆轴部件 Looper nKker shaft asm	1
38	PF555049	弯针摆轴盖螺钉 Screw	4
39	PF38000639	弯针摆轴油线 Oil wick	1
41	PF38000641	弯针架座 Looper mounting base	1
42	PF38000642	弯针架座螺钉 Screw	4
43	PF38000643	弯针摆轴轴套 Bushing	2
44	PF5550511	弯针摆轴轴套螺钉 Screw	2
45	PF38000645	左弯针曲柄 Looper holder asm (left)	1
46	PF5550648	左弯针曲柄螺钉 Screw	1
47	PF38000647	左弯针 Looper (left)	1
48	PF2052106	弯针螺钉 Screw	2
49	PF38000649	右弯针曲柄 Looper holder asm (right)	1
50	PF5550648	右弯针曲柄螺钉 Screw	1
51	PF38000651	右弯针 Looper (right)	1
52	PF38000652	弯针曲柄罩壳部件 Crank cover asm	1
53	PF38000653	曲柄罩壳螺钉 Screw	3
54	PF6150104	曲柄罩壳孔塞 Rubber plug	1
55	PF38000655	曲柄罩壳排油管 VinyJ mhe	1
56	PF38000656	护针凸轮 Needle giuird crank asm	1
57	PF555027	护针凸轮螺钉 Screw	2
58	PF38000658	护针连杆 Needle guard crank rod	1
59	PF38000659	护针叉形曲柄 Rear needle guanl rocker fori	1
60	PF6150517	护针叉形曲柄螺钉 Screw	1
61	PF38000661	护针曲柄销 Pin	1
62	PF5550627	护针曲柄销油线 Oil wick	1
63	PF5550511	护针曲柄销螺钉 Screw	1
64	PF38000664	护针轴套 Bushing	1
65	PF5550615	护针轴套螺钉 Screw	1
66	PF38000666	护针轴 Needle guard driving shaft asm	1
67	PF38000667	护针轴油线 Oil wick	1

零件编号 (number)	零件品号 (Product number)	零件名称 (Product name)	3800 用量 (Number of 3800 used)
68	PF38000668	护针曲柄 Rear needle guard rocker arm asm	1
69	PF5550648	护针曲柄螺钉 Screw	1
70	PF38000670	摆动护针 (1/4") Driving needle guard(1/4)	1
71	PF555049	摆动护针杆螺钉 Screw	1
72	PF38000672	护针杆座 Needle guard base	1
73	PF6150420	护针杆座螺钉 Screw	2
74	PF38000674	左固定护针杆 Counter needle guard	1
75	PF38000675	右固定护针杆 Counter needle guard	1
76	PF68425E28	左右固定护针杆螺钉 Screw	2

Thread take-up, tension, and tension releasing assembly complete

7. 挑线、紧线、夹线分组件 Thread take-up, tension, and tension releasing assembly complete



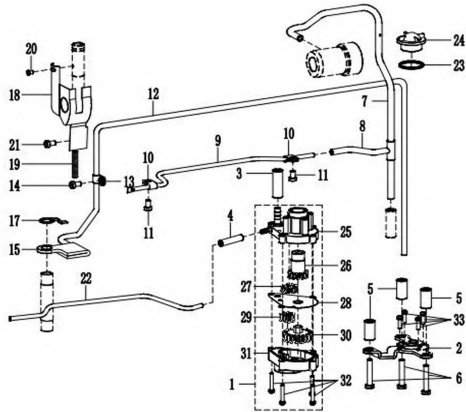
零件编号 (number)	零件品号 (Product number)	零件名称 (Product name)	3800 用量 (Number of 3800 used)
01	PF38000701	挑线连杆 Thread takc-up lever	1
02	PF38000702	挑线连杆螺钉 Screw	1
03	PF38000703	挑线杆 Thread take-up	1
04	PF555034	挑线杆紧固螺钉 Screw	2
05	PF38000705	挑线杆夹线板 Tension plate	1
06	PF38000706	挑线杆夹线簧 Tension spring	1
07	PF38000707	挑线杆夹线板轴螺钉 Screw	1
08	PF38000708L	挑线杆护罩 Thread lakc-up lever guard	1
09	PF5550230	挑线杆护罩螺钉 Screw	2
10	PF38000710	线量调节板 Takc-up thread tension lever	1
11	PF5550725	线量调节板螺钉 Screw	1
12	BF700W1301	调节板螺钉垫圈 Washer	3
13	PF38000713	中间导线钩 frame thread eyelet	1
14	PF5550725	中间导线钩螺钉 Screw	1
15	PR3800DP0715	松线轴 Tension release shaft	1
16	PF38000716	面线松线曲柄部件 Tension release arm asm	1
17	PF5550725	面线松线曲柄螺钉 Screw	1
18	PF38000718	抬压脚后杠杆弹簧 Spring	1
19	PF38000719	后杠杆弹簧固定板 Suspension bracket	1
20	PF5550317	后杠杆弹簧固定板螺钉 Screw	2
21	SCJ1010	松线轴挡圈 Snap ring	1
22	BF889204185	松线轴油封 O-Rubbcr ring	1

零件编号 (number)	零件品号 (Product number)	零件名称 (Product name)	3800 用量 (Number of 3800 used)
23	PF38000723	松线轴环 Tension release shah spacer	1
24	PF38000724	夹线器下安装垫 Spaced(A) for inslalling plale	1
25	PF38000725	夹线器上安装垫 Spaced(B) for installing plate	1
26	PF38000726	夹线器上安装垫螺钉 Screw	1
27	PF38000727	夹线器下安装垫螺钉 Screw	1
28	PF38000728	面线夹线器部件 Needle thread tension asm	1
29	PF38000729	面线单面导线板 Needle thread tension guide plate	2
30	PF38000730	面线双面导线板 Tension thread guidc	2
31	PF38000731	夹线螺钉 Looper Umrad tendon posi	2
32	PF38000732	面线夹线板 Tension disc	4
33	PF38000733	面线松线座 Tension disc presser tube	2
34	PF38000734	面线夹线簧 Tension spring	2
35	PF38000735	面线止动板 Tension disc stopper	2
36	PF38000736	面线夹线螺母部件 Tension nut	2
37	PF38000737	导线钩 Frame thread guide	2
38	PF5550725	导线钩螺钉 Screw	1
39	PF38000739	面线松线爪 Tension release latch	1
40	PF5550725	面线松线爪螺钉 Screw	1
41	PF38000749	底线打线凸轮 Loopcr thread take-up cam	1
42	PF38000750	底线打线凸轮定位螺钉 Screw	1
43	PF38000751	凸轮导线钩部件 Looper thread guide asm	1
44	PF38000752	凸轮导线架 Thread guide plate	1
45	PF5550725	凸轮导线架螺钉 Screw	2
46	PF38000754	底线双线导线钩 Looper thread guide	1
47	PF38000755	底线双线导线钩螺钉 Screw	1
48	PF38000756	底线导线止动簧 Thread guide stopper spring	1
49	PF38000757	底线导线止动簧螺钉 Screw	2
50	PF38000758	底线脱线钢丝 Cast-off wire	1
51	PF38000759	底线脱线钢丝螺钉 Screw	2
52	PF38000760	底线脱线钢丝螺钉垫圈 Washer	2
53	PF38000761	底线导线簧 Thread guide spring	1
54	PF38000762	凸轮过线螺钉螺母 Nut	1
55	PF38000763	凸轮过线螺钉 Thread guide stud	1
56	PF38000764	凸轮导线钩 (右) Looper thread guide	1
57	PF38000765	凸轮脱线爪 Castoff plate	1
58	PF38000766	凸轮导线钩 (左) Looper thread guide	1
59	PF38000767	凸轮导线环 Collar	2
60	PF38000768	凸轮导线钩螺钉 Screw	1
61	PF38000769	底线导线钩 Looper thread guide	1
62	PF5550725	底线导线钩螺钉 Screw	1
63	PF38000771	底线导线管 Looper thread guide tube	1
64	PF38000772	松线轴套 Tension release shaft bushing	1
65	PF38000773	松线轴套螺钉 Screw	2

零件编号 (number)	零件品号 (Product number)	零件名称 (Product name)	3800 用量 (Number of 3800 used)
66	PF38000774	底线松线轴 Looper ihread release shaft	1
67	PF5550416	底线松线轴O型圈 O-Rubbcr ring	1
68	PF38000776	底线松线轴曲柄部件 Tension release arm asm	1
69	PF38000777	底线松线轴螺母 Nut	1
70	PF38000778	底线夹线器部件 Lower thread tension asm	1
71	PF38000779	夹线器安装板 Tension installing plaie	2
72	PF38000780	底线单面导线板 Looper thread tension control plate	2
73	PF38000781	底线双面导线板 Thread guide	2
75	PF38000783	夹线螺钉 Screw	2
76	PF38000784	底线夹线板 Tension disc	4
77	PF38000785	底线夹线簧 Looper ihread tension spring	2
78	PF38000786	底线夹线止转圈 Tension spring bushing	2
79	PF38000787	底线夹线螺母 Nut	2
80	PF5550725	夹线器安装板螺钉 Screw	2
81	PF38000789	底线松线爪 Looper thread release latch	1
82	PF5550725	底线松线爪螺钉 Screw	1
83	PF38000791	小线钩 Small thread guage	1

Lubrication

8. 润滑分组件 Lubrication

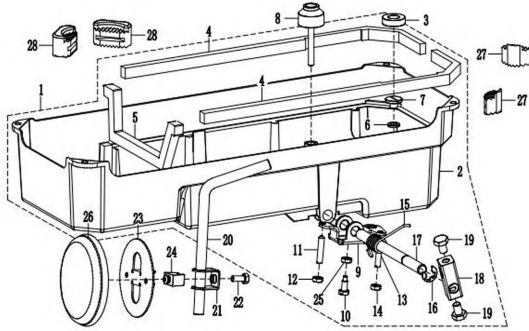


零件编号 (number)	零件品号 (Product number)	零件名称 (Product name)	3800 用量 (Number of 3800 used)
01	PF38000801	油泵部件 Lubricating oil pump asm	1
02	PF38000802	油泵安装板 Oil pump installing basc	1
03	PF38000811	上轴供油管接头 Rubber joint	1
04	PF38000812	下轴供油管接头 Rubber joint	1
05	PF38000813	油泵垫圈 Collar	3
06	PF38000814	油泵螺钉 Screw	3
07	PF38000815	上轴供油管 Main shaft oil tube	1
08	PF38000818	齿轮供油管橡皮接头 Oil sight window base	1
09	PF38000819	齿轮供油管 Gear oil pipe	1
10	PF5550827	齿轮供油管夹 Holder	5
11	PF5550633	齿轮供油管夹螺钉 Screw	2
12	BF31016255039	上轴回油管 Oil return tube asm	1
13	PF5550827	回油管夹 Oil return tube holder	1
14	PF5550633	回油管夹螺钉 Screw	1
15	PF5550830	回油除尘毡 Oil feit	1
17	PF5550831	回油毡夹 Oil felt presser	1
18	PF38000829	面部挡油板 Arm oil shield	1
19	PF5550627	面部挡油板油线 Oil wick	1
20	PF5550834	面部挡油板上螺钉 Screw	1
21	PF5550725	面部挡油板下螺钉 Screw	1
22	PF38000833	下轴供油管 Oil tube	1
23	PF5550825	油窗O形圈 O-Rubbcr ring	1
24	PF5550824	油窗 Oil singhl window	1
25	PF38000806	油泵壳体 Oil pump housing	1
26	PF38000836	齿轮 Gear	1
27	PF38000837	齿轮 Gear	1
28	PF38000808	油泵齿轮托板 Oil pump gear support plate	1

零件编号 (number)	零件品号 (Product number)	零件名称 (Product name)	3800 用量 (Number of 3800 used)
29	PF38000838	齿轮 Gear	1
30	PF38000809	齿轮 Gear	1
31	PF38000809	油泵盖 Oil pump cover	1
32	PF38000810	油泵盖螺钉 Screw	3
33	PF38000803	油泵安装螺钉 Screw	4

Oil reservoir & knee lifter components

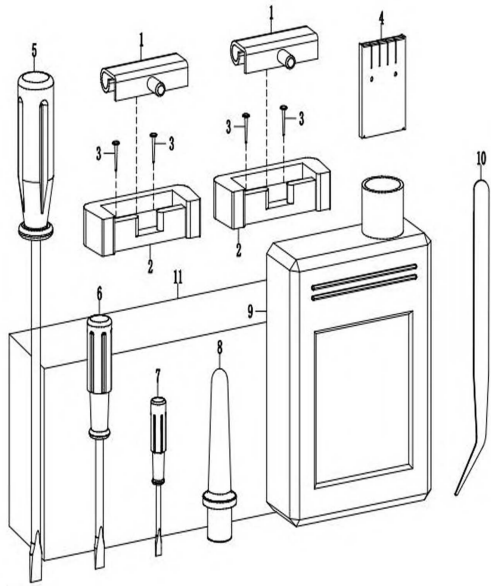
9. 油盘、膝抬压脚分组件 Oil reservoir & knee lifter components



零件编号 (number)	零件品号 (Product number)	零件名称 (Product name)	3800 用量 (Number of 3800 used)
01	PF38000901	油盘部件 Oil reservoir asm	1
02	PF38000902	油盘 Oil reservoir	1
03	SCJ6051	油盘磁铁 Oil Ttervoir magnet	1
04	PF38000904	油盘侧面垫 Gasket	1
05	PF38000905	油盘端面垫 Gasket	2
06	PF555096	排油螺钉O形圈 O-Rubbcr ring	1
07	PF852095	排油螺钉 Screw	1
08	PF38000912	抬压脚顶销 Knee press lifter rod	1
09	PF38000909	抬压脚双向曲柄 Lining	1
10	PF5550913	双向曲柄螺钉 Screw	1
11	PF5550914	双向曲柄限位螺钉 Screw	1
12	PF5550915	双向曲柄限位螺母 Nut	1
13	PF5550914	双向曲柄调节螺钉 Screw	1
14	PF5550915	双向曲柄调节螺母 Nut	1
15	PF38000915	双向曲柄扭簧 Spring	1
16	SCJ1037	抬压脚轴开口挡圈 Thnisi ring	1
17	PF38000921	抬压脚轴 Knee press rod	1
18	PF5550919	抬压脚操纵杆节头 Bearing bracket	1
19	PF5550920	操纵杆节头螺钉 Screw	2
20	PF5550922	操纵杆 Knee lifter plate rod	1
21	PF5550926	操纵板节头 Knee predd plate cover joini	1
22	PF5550927	操纵板节头螺钉 Screw	1
23	PF5550923	操纵板 Knee press plate	1
24	PF38000924	操纵板簧 Knee press plate spring	1
25	PF38000925	双向曲柄螺钉螺母 Nut	1
26	PF5550924	操纵板软垫 Knee press plate cover	1
27	PF555098	小防震垫 Small rubber cushion	2
28	PF555099	大防震垫 Big rubber cushion	2

Machine head accessories

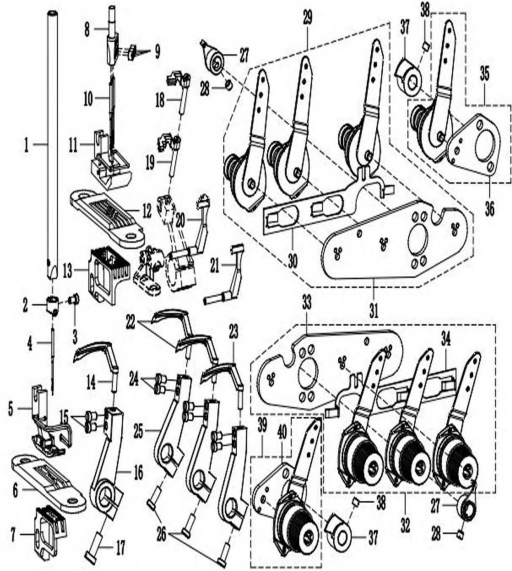
10. 机头附件 Machine head accessories



零件编号 (number)	零件品号 (Product number)	零件名称 (Product name)	3800 用量 (Number of 3800 used)
01	PF5550101	机头连接钩部件 Machine hinge plate asm	2
02	PF5550102	机头连接钩座 Machine hinge plaie	2
03	PFQ61305	机头连接钩座钉 Nail	4
04	PFDTTV716	机针 Needle	1
05	PF55501016	螺丝刀(大) Screw driver (L)	2
06	PF55501017	螺丝刀(中) Screw driver (M)	1
07	PF55501018	螺丝刀(小) Screw driver (S)	1
08	PF55501021	机头支柱 Machine rcat pin	1
09	BF700192	油箱部件 Lubricating unit case asm	1
10	BF700M1916	镊子 Tweezers	1
11	PF03031040	机头罩 Macgube head cover	1

Model one & three needle high speed chainstitch

13、单针、三针专用零件 Model one & three needle high speed chainstitch

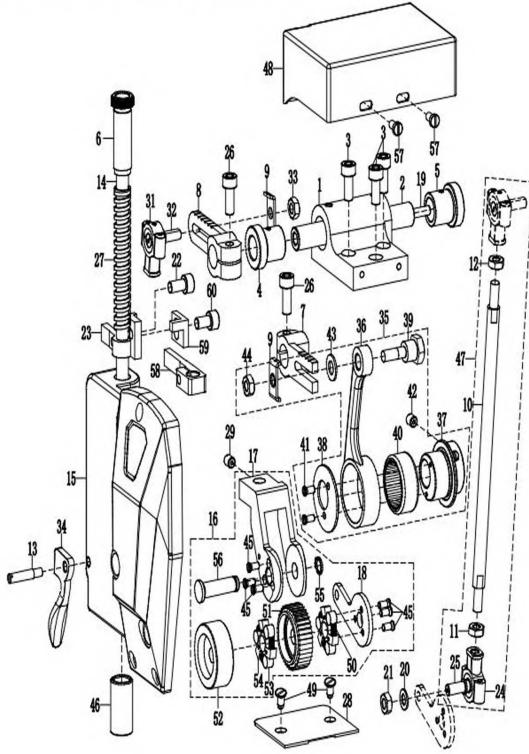


零件编号 (number)	零件品号 (Product number)	零件名称 (Product name)	3800 用量 (Number of 3800 used)
01	PF5550H310	针杆 Needle bar	1
02	PF5550311	针杆线勾 Small thread gauge	1
03	PF5550312	机针螺钉 Screw	1
04	PFDTTV716	机针 Needle	1
05	PF48100310	压脚组件 Presser foot asm	1
06	PF48100442	针板 Throat plate	1
07	PF48100439	送料牙 Reed dog	1
08	PF3830023501	针夹(斜三针) Needle clamp	1
09	PF5550340	支针螺钉 Screw	3
10	PFDTUY128GAS	多特机针 Needle	3
11	PF3830031001	压脚部件(斜三针) Presser foot asm	1
12	PF3830044201	针板(斜三针) Throat plate	1
13	PF3830043901	送料牙(斜三针) Reed dog	1
14	PF38000647	左弯针 Looper (left)	1
15	PF2052106	弯针螺钉 Screw	2
16	PF38000645	左弯针曲柄 Looper holder asm (left)	1
17	PF5550648	左弯针曲柄螺钉 Screw	1
18	PF48100670	摆动护针杆 Counter needle guard	1
19	PF3830067001	摆动护针(1/4)斜三针 Counter needle guard	1
20	PF3830067401	左固定护针杆(斜三针) Counter needle guard	1
21	PF48100674	固定护针杆 Counter needle guard	1
22	PF38000647X	中弯针 Looper (middle)	2
23	PF38000647	左弯针 Looper (left)	1
24	PF2052106	左弯针曲柄螺钉 Screw	6
25	PF3830064501	中弯针曲柄 Looper holder asm (middle)	3

零件编号 (number)	零件品号 (Product number)	零件名称 (Product name)	3800 用量 (Number of 3800 used)
26	PF68425D22	中弯针曲柄螺钉 Screw	3
27	PF38300739	面线松线爪 Tension release latch	2
28	PF5550725	面线松线爪螺钉 Screw	2
29	PF38300778	底线夹线器部件 Lower thread tension asm	1
30	PF383007781	底线松线板 Thread releaser	1
31	PF383007782	底线夹线器板 Bracket	1
32	PF38300728	面线夹线器部件 Needle thread tension asm	1
33	PF383007282	面线夹线器板 Bracket	1
34	PF383007281	面线松线板 Thread releaser	1
35	PF48100728	面线夹线器 Needle thread tension asm	1
36	PF481007281	面线夹线器板 Bracket	1
37	PF48100789	面线松线爪 Tension release latch	2
38	PF5550725	面线松线爪螺钉 Screw	2
39	PF48100778	底线夹线器 Lower thread tension asm	1
40	PF481007781	底线夹线器板 Bracket	1

Direct drive tugboat components

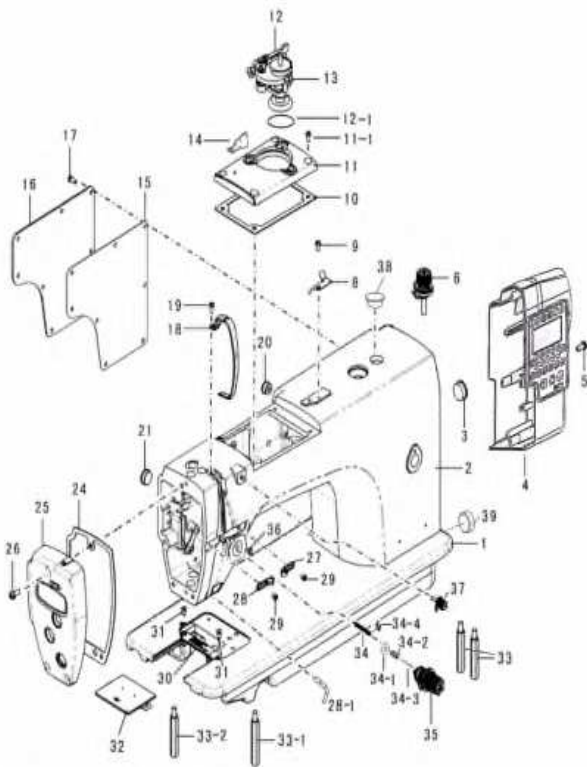
14、直驱拖轮装置部分 Direct drive tugboat components



零件编号 (number)	零件品号 (Product number)	零件名称 (Product name)	3800 用量 (Number of 3800 used)
01	PF38001501	拖轮安装座 Puller base	1
02	PF38001502	安装座短轴 Base short shaft	1
03	SCJ2008	安装座螺钉 Screw	3
04	PF38001504	安装座轴套 Bushing	1
05	PF38001504	安装座轴套 Bushing	1
06	PF38001505	拖轮压杆调压螺母 Puller regulator nut	1
07	PF38001506	曲柄 Crank	1
08	PF38001507	曲柄 Crank	1
09	PF38001510	曲柄位置指示板 Crank indicating board	2
10	PF38001509	双头螺杆 Screw	1
11	PF38001511	双头螺杆M6螺母左旋 Nut	1
12	PF5550915	双头螺杆M6螺母右旋 Nut	1
13	PF38001512	拖轮升降扳手轴位螺钉 Puller adjustable bolt	1
14	PF38001514	拖轮压杆 Puller compressive rod	1
15	PR3800DPPL0107L	拖轮面板 Puller board	1
16	PF38001517	拖轮组件(铁) Puller component	1
17	PF38001518	拖轮支架 Puller support	1
18	PF38001519	拖轮驱动板 Puller driven board	1
19	PF5550627	油线 Oil wick	1
20	SCJ3022	垫圈 Washer	1
21	PF3800152702	关节连杆螺母 Nut	1
22	SCJ2007	拖轮导架螺钉 Screw	1
23	PF38001526	拖轮导架 Puller guide	1

零件编号 (number)	零件品号 (Product number)	零件名称 (Product name)	3800 用量 (Number of 3800 used)
24	PF38001527	铜连杆关节 (左旋) Copper bar joint	1
25	PF3800152701	关节连杆螺钉 Joint bar bolt	1
26	SCJ2009	曲柄锁紧螺钉 Screw	2
27	PF38001528	拖轮压紧杆弹簧 Puller compressive bar spring	1
28	PF38001529	拖轮压板 Puller compressive board	1
29	SCJ2033	拖轮支架紧定螺钉 Screw	1
31	PF38001534	铜连杆关节(右旋) Copper bar joint	1
32	PF3800153401	关节连杆螺钉 Screw	1
33	PF3800153402	关节连杆螺母 Nut	1
34	PF38001536	拖轮扳手 Puller spanner	1
35	PF38001537	大连杆组件 Big bar component	1
36	PF3800153701	拖轮提升偏心凸轮大连杆 Puller lift camshaft big bar	1
37	PF3800153702	拖轮提升偏心凸轮 Puller lift camshaft	1
38	PF3800153703	偏心凸轮盖板 Camshaft cover	1
39	PF3800153704	大连杆轴位螺钉 Big bar bolt	1
40	PF3800153705	滚针轴承 Needle rolling bearing	1
41	PF3800153706	偏心凸轮盖板螺钉 Screw	2
42	PF555047	偏心凸轮紧定螺钉 Screw	2
43	PF3800153708	大连杆轴位螺钉垫片 Washer	1
44	PF3800153709	大连杆轴位螺钉螺母 Nut	1
45	PF38001545	拖轮组件安装螺钉 Screw	6
46	PF38001538	拖轮压杆套 Puller compressive bar sleeve	1
47	PR3800151103	双头螺杆组件 Big bar component	1
48	PF38001540	罩壳 Cover	1
49	PF5550637	压板螺钉 Screw	2
50	PF38001550	棘轮弹簧 Spring	6
51	PF38001543	拖布轮 (铁) Puller	1
52	PF38001544	拖布轮 (橡胶) Puller	1
53	PF38001553	滚柱 Pin	6
54	PF38001554	棘轮 Ratch	2
55	SCJ1034	轴环 Retaining ring	1
56	PF38001556	拖轮轴 Shaft	1
57	PF6150227	罩壳螺钉 Screw	2
58	PF38001558	压杆导架 Presser bar guide bracket asm	1
59	PF38001559	压杆导架联动支架 Bracket	1
60	PF6150227	压杆导架联动支架螺钉 Screw	2

1. 机体部件 /MACHINE MECHANISM

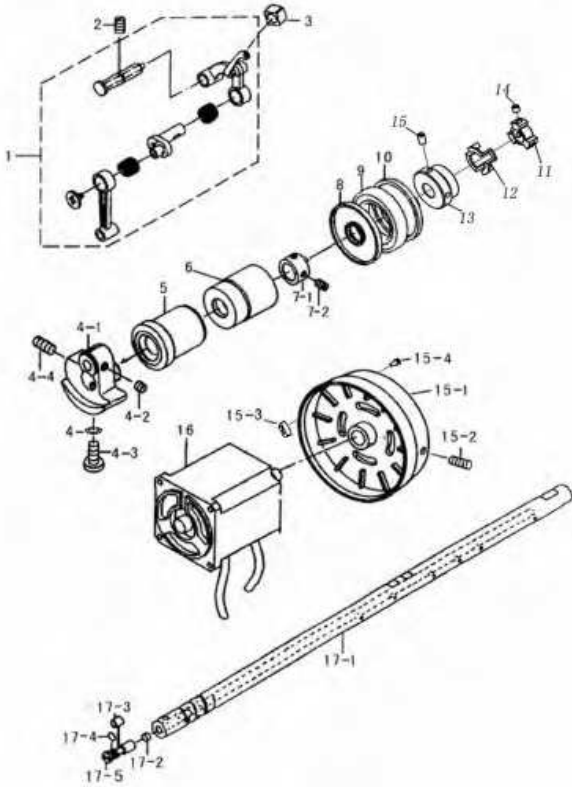


零件编号 (number)	零件品号 (Product number)	零件名称 (Product name)	9520 用量 (Number of 9520 used)
01	034203016	底板 Bed	1
02	033201014	机头 Arm	1
03	PF5550114	橡皮塞Φ19Rubber,phug(Φ19)	1
04	12010012	电机罩Motor cover	1
05	SCJ2005	螺钉M4*25 Screw M4*25	4
06	PF90000151	卷线器夹线组件Crimping device clamp assembly	1
08	PF90000132	切刀 CUTTER	1
09	PF68425K19	螺钉1/8*40-4 Screw 1/8*40-4	2
10	PF9520MXDK031	上盖垫片 The upper cover gasket	1
11	PF9520MXDK033	上盖 loam cake	1
11-1	PF6150812	螺钉 Screw	4
12	PF90000157	卷线器组件Reel Components	1
12-1	PF900001511	绕线器垫片油封Oil seal	1
13	PF90000131	卷线器固定螺钉Screw	3
14	PF0302113	三眼线勾 Over pole	1
15	PF9800TD402	后盖板垫片Gasket for arm side cover	1
16	PF9800TD401	后盖板Arm side cover	1
17	PF555016	螺钉 Screw	8
18	PF5550229	挑线杆防护罩 Thread take-up guard	1
19	PF5550230	螺钉 3/16*28-6 Screw 3/16*28-6	1
20	PF7810167	孔塞 Rubber plug	1
21	PF9820Z85	孔塞 Rubber plug	3

零件编号 (number)	零件品号 (Product number)	零件名称 (Product name)	9520 用量 (Number of 9520 used)
24	PF9520MXDK032	面板垫片 Gasket for face plate	1
25	PF9520MXDK034	面板 Faceplate	1
26	PF5550161	螺钉3/16*28-12 Screw 3/16*28-12	3
27	PF5550316	机壳线钩 Chassis line hook	1
28	PF5550318	左线钩Left arm thread guide	1
28-1	PF9520MXDK021	大线钩Large arm thread guide	1
29	PF5550317	线钩螺钉11/64*40-6 Screw 11/64*40-6	2
30	PF852013501	针板 Slide plate	1
31	PF9520MXDK054	针板螺钉 Needle plate screw	2
32	PF5550638	推板组件 Slide plate spring	1
33	PF555013	机壳支撑杆Rod case	2
33-1	PF90000120	机壳支撑杆(长)Rod case (L)	1
33-2	PF90000121	机壳支撑杆 (中) Rod case(M)	1
34	PF90000329	松线辅钉 Loose wire nails	1
34-1	PF5550333	松线辅钉垫片 TENSION RELEASE SUPPORTING PIN	1
34-2	PF5550334	松线辅钉弹簧 TENSION RELEASE PIN SPRING	1
34-3	PF6150131	松线钉 Thread RELEASE PIN	1
34-4	SCJ1004	开口挡圈 SNAP RING	1
35	PF98000318	夹线器组件 Clamp components	1
36	PF5550330	螺钉 15/64*28-7 Screw 15/64*28-7	1
37	PF98000312	小夹线器组件 Small clip cord assembly	1
38	PF98000187	调节孔孔塞 RUBBER PLUG	1
39	PF5550115	下轴盲孔塞 RUBBER PLUG	1

MAIN SHAFT&THREAD-UP LEVER MECHANISM

2. 上轴、挑线装置/MAIN SHAFT&THREAD-UP LEVER MECHANISM

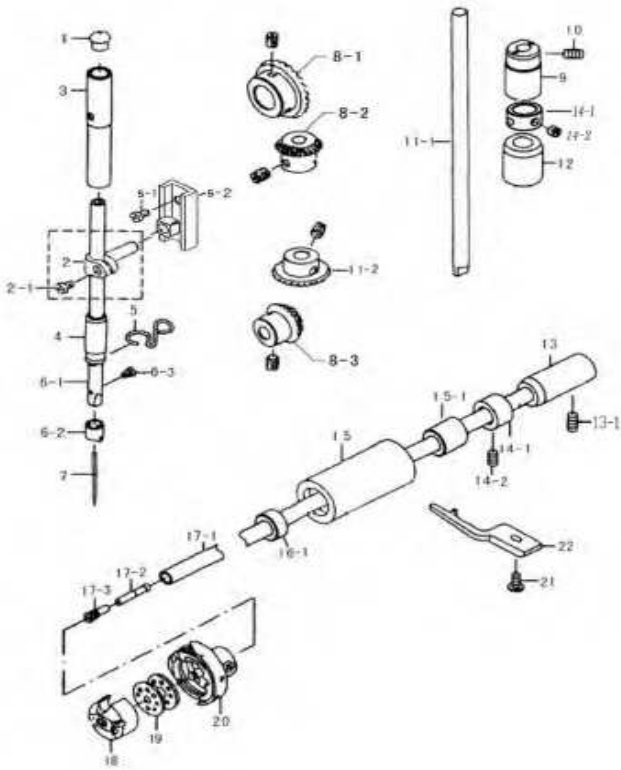


零件编号 (number)	零件品号 (Product number)	零件名称 (Product name)	9520 用量 (Number of 9520 used)
01	PF5550K0223A	挑线杆组件 Thread take-up lever	1
02	PF555022	螺钉 15/64*28-15 Screw 15/64*28-15	1
03	PF90010311	针杆接头滑块 Slide block	1
04	PF5550217	针杆曲柄定位螺钉 O型圈 Rubber ring	1
04-1	PF5550215	针杆曲柄 Needle bar crank	1
04-2	PF5550625	螺钉 1/4*40-6 Screw 1/4*40-6	2
04-3	PF5550216	针杆曲柄定位螺钉 Screw 9/32*28-16	1
04-4	PF5550218	针杆曲柄紧固螺钉 Screw 9/32*28-16	1
05	PF90000207	上轴前套 Arm shaft bushing (left)	1
06	PF555028	上轴中套 Arm shaft bushing (middle)	1
07-1	PF555026	上轴紧圈 (大) Collar for arm shaft assy	1
07-2	PF5550625	螺钉 1/4*40-6 Screw 1/4*40-6	2
08	PF90000210	上轴油封 Oil seal	1
09	PF90000217	轴承 Bearing	1
10	PF90000218	电机密封圈 Folder	1
11	PF90000214	电机连轴器 Motor coupling	1
12	PF90000213	连轴器橡胶圈 Coupling rubber ring	1
13	PF90000212	上轴连轴器 Upper shaft coupler	1
14	PF90000216	上轴连轴器紧固螺钉 Screw M6-6	3
15	PF90000215	上轴连轴器紧固螺钉 Screw M6*0.75-6	2
15-1	14180064	手轮 Handwheel	1
15-2	SCJ2031	螺钉 M5*8 Screw M5*8	2

零件编号 (number)	零件品号 (Product number)	零件名称 (Product name)	9520 用量 (Number of 9520 used)
15-3	PF90000223	磁钢 Alnico	1
15-4	SCJ2038	螺钉M4*8 Screw M4*8	1
16	12030008	电机 Motor	1
17-1	PF9520MXDK040	上轴 Arm shaft	1
17-2	PF5550211	曲柄油量限制毡Crank felt limited oil	1
17-3	PF5550213	曲柄油量调节销Fuel adjustment crank pin	1
17-4	PF5550214	O形圈O-ring	1
17-5	PF5550212	上轴油量调节销Fuel adjustment pin	1

NEEDLE BAR UPRIGHT SHAFT&HOOK DRIVING SHAFT MECHANISM

3. 针杆, 竖轴, 下轴装置/NEEDLE BAR UPRIGHT SHAFT&HOOK DRIVING SHAFT MECHANISM

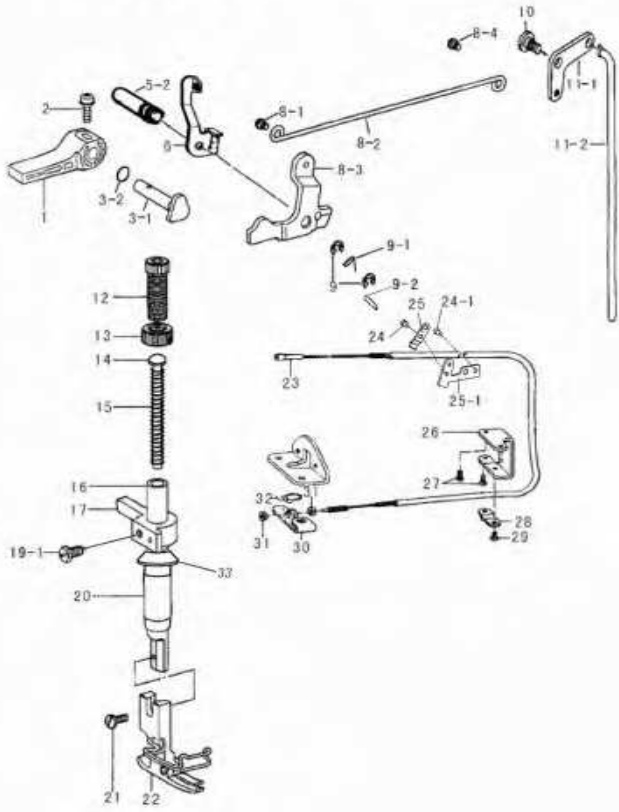


零件编号 (number)	零件号 (Product number)	零件名称 (Product name)	9520 用量 (Number of 9520 used)
01	PF555037	针针橡皮塞Φ8 Red,rubber-plug (Φ8)	1
02	PF555033	针杆连接柱NEEDLE BAR HOLDER	1
02-1	PF55503301	针杆连接柱螺钉SCREW 9/64-40 L=6	1
03	PF555036	针杆上套 Needle bar bushing (upper)	1
04	PF9000306H	针杆下套 Needle bar bushing (lower)	1
05	PF5550H39	针杆下轴套线钩Needle bar thread guide	1
05-1	PF6150227	螺钉 Screw	2
05-2	PF9001033101	针杆滑块槽NEEDLE BAR TROUGH	1
06-1	PF8520303	针杆 Needle bar	1
06-2	PF8520310	针杆过线勾-3 Thread guide for bushing (lower)	1
06-3	PF5550312	螺钉1/8*44-4.5 Screw 1/8*44-4.5	1
07	PFDTDB114	机针 Needle	1
08-1	PF555052605	伞齿轮组件Bevel gear for vertical shaft assy	1
08-2	PF555052505	伞齿轮组件Bevel gear for vertical shaft assy	1
08-3	PF555051805	伞齿轮组件Bevel gear for vertical shaft assy	1
09	PF90000521	竖轴上轴套 Vertical shaft bushing (upper)	1
10	PF9800TD410	竖轴上套紧定螺钉 Screw 3/16*28-4	1
11-1	PF5550524	竖轴 Upring shaft	1
11-2	PF555052005	竖轴下伞齿轮 Bevel gear for vertical shaft (lower)	1
12	PF90000520	竖轴下轴套Vertical shaft bushing (lower)	1
13	PF90000513	下轴后轴套Hook shaft bushing (right)	1

零件编号 (number)	零件号 (Product number)	零件名称 (Product name)	9520 用量 (Number of 9520 used)
13-1	PF555029	螺钉 15/64*28-8 Screw 15/64*28-8	1
14-1	PF6150404	下轴紧圈 Collar for hook shaft	2
14-2	PF5550330	螺钉15/64*28-7 Screw 15/64*28-7	4
15	PF90000510	下轴前轴套 Hook shaft bushing (left)	1
15-1	PF90000512	下轴中轴套 Mid bushing	1
16-1	PF9990709	下轴挡油圈 Oil under the ring gear shaft assembly	1
17-1	PF90000507	下轴 Rotating hook shaft	1
17-2	PF55505901	下轴限油芯 Filter	1
17-3	PF555058	下轴限油螺钉 Filter Screw	1
18	PF888056D5202	梭心套(国产) Bobbin case	1
19	PF555053	梭心 Bobbin	1
20	PF888056D50109	旋梭组件-3(国产) Rotating hook Complete	1
21	BF700S039	螺钉11/64*40-9.5 Screw 11/64*40-9.5	1
22	PF555055	旋梭定位勾 Rotating hook positsnev	1

PRESSER FOOT MECHANISM

4. 压脚装置/PRESSER FOOT MECHANISM

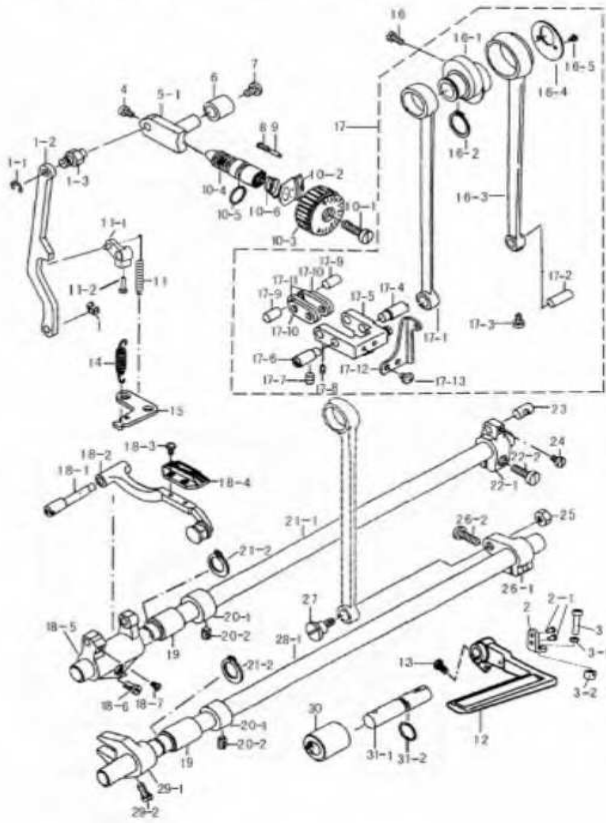


零件编号 (number)	零件品号 (Product number)	零件名称 (Product name)
01	PF8420M-D30511	抬压脚扳手Presser bar lifter
02	PF8420M-D30512	螺钉 Screw
03-1	PF9520MXDK012	压紧杆提升凸轮Presser bar lifting cam
03-2	PF9990811	O型圈P4 0-ring P4
05-2	PF9520MXDK011	膝提升左杠杆销the left lever to enhance sales
06	PF9520MXDK044	松线架 Loose wire rack
08-1	PF8420M-D30518	螺钉 Screw
08-2	PF9520MXDK027	膝控连杆 Knee link
08-3	PF9520MXDK029	膝控提升左杠杆Raise the left knee lever control
08-4	PF5550430	螺钉3/16*32 Screw 3/16*32
09	SCJ1008	挡圈 Ring
09-1	PF9990324	抬压连杆弹簧 spring
09-2	PF9990341	抬压连杆弹簧销PIN
10	PF5550429	后杠杆轴位螺钉Screw
11-1	PF5550428	膝控提升右杠杆 Raise the right knee lever control
11-2	PF5550431	抬压脚顶杆 Presser Foot lift mandrel
12	PF555041	调压锁紧螺钉 Pressure regulating thumb screw
13	PF555041	调压锁紧螺母 Lock nut
14	PF555043	压紧杆弹簧导柱 Presser bar guide
15	PF555044	压紧杆弹簧-3 Presser spring
16	PF8520429	压紧杆 Presser bar
17	PF9520MXDK049	压紧杆导架 Presser bar lifting bracket

零件编号 (number)	零件品号 (Product number)	零件名称 (Product name)
19-1	PF6150607	螺钉11/64*40 L=11.5 Screw 11/64*40 L=11.5
20	PF5550410	压紧杆轴套 Presser bar bushing
21	PF5550412	螺钉9/64-40 L=10.5 Screw 9/64-40 L=10.5
22	PF8520435	压脚组件-3 Presser foot complete
23	PF9520MXDK030	松线钢绳 Loose wire rope
24	PF5550725	螺钉 11/64-40 L=7 SCREW 11/64-40 L=7
24-1	PF5550637	螺钉 11/64-40 L=8.5 SCREW 11/64-40 L=8.5
25	PF90000438	松线钢绳架板 Loose wire rope supporting board
25-1	PF90000432	软管支承板 WIRE HOLDER BRACKET(UPPER)
26	PF90000436	松线钢绳座 Loose wire rope Block
27	PF68425E28	螺钉 9/64-40 L=7 SCREW 9/64-40 L=7
28	PF90000438	松线固定板 Loose wire fixed plate
29	PF5550725	螺钉 11/64-40 L=7 SCREW 11/64-40 L=7
30	PF90000442	松线座 Song Line Block
31	PF9000044001	螺母 Nut
32	PF90000443	松线复位弹簧 Loose wire return spring
33	PF5550432	压杆油封 PRESSER BAR OIL SEAL

FEED MECHANISM

5. 送料装置/FEED MECHANISM



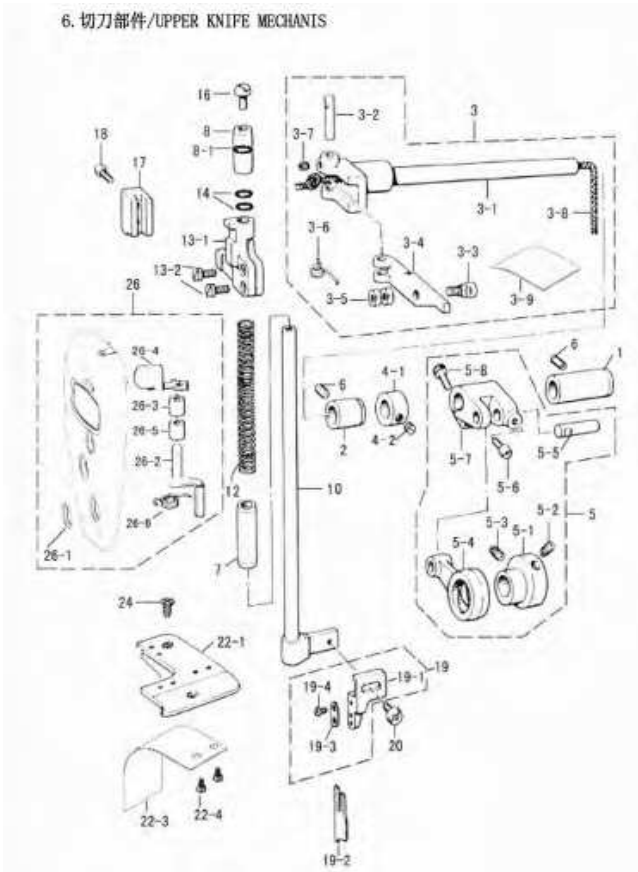
零件编号 (number)	零件品号 (Product number)	零件名称 (Product name)
01	SCJ1006	挡圈 Ring
01-1	SCJ1007	挡圈 Ring
01-2	PF90000713	倒送料连杆Feed back link
01-3	PF90000710	倒送料连杆销 link feed pins down
02	PF90000727	限位螺钉座RULER RETAINING PLATE
02-1	PF5550633	限位螺钉座螺钉SCREW 11/64-40 L=7
03	PF90000729	扳手限位螺钉 SCREW M6 L=25
03-1	PF90000730	扳手限位螺母 NUT
03-2	PF90000731	限位螺钉减震垫WASHER
04	PF68425B27	螺钉9/64-40 L=5 Screw 9/64-40 L=5
05-1	PF90000707	送料调节器Feed regulator
06	PF90000708	送料调节器轴套Feed adjuster sleeve
07	PF555079	送料调节器紧固螺钉SCREW 3/16-28 L=6
08	PF555076	止动销弹簧Spring for stopper pin
09	PF9800070401	止动销Stopper pin
10-1	PF555072	送料距旋钮螺钉Screw
10-2	PF9800070201	锁针距挡板NEEDLE GAUGE LOCK GUIDE
10-3	PF90000702H	针距标盘-5Dial
10-4	PF90000706	针距调节螺杆 Screw
10-5	PF555074	针距调节螺杆O型圈O-ring
10-6	PF0302445	送料调节旋钮弹簧 SPRING
11	PF5550722	倒送料拉簧Feeding tension spring back

零件编号 (number)	零件品号 (Product number)	零件名称 (Product name)
11-1	PF90000721	操纵杆托架 Joystick bracket
11-2	PF5550721	螺钉 1/4-40 SCREW 1/4-40
12	PF90000732	倒缝扳手 Backstitch wrench
13	PF5550330	螺钉15/64-28 L=7 SCREW 15/64-28 L=7
14	PF90010718	摆动板复位簧 Adjusting link spring
15	PF98000717	拉簧固定板 Tension spring fixing plate
16	PF555063	送料偏心轮螺钉 SCREW 1/4-40 L=13
16-1	PF555062	拾牙连杆轴用挡圈 SNAP RING
16-2	PF5550652	拾牙连杆轴用挡圈 SNAP RING
16-3	PF555066	送料连杆 ROCKER SHAFT CONNECTING ROD
16-4	PF555064	送料偏心轮盖板 THRUST COLLAR
16-5	PF555065	偏心轮盖板螺钉 SCREW 9/64-40 L=5
17	PF98000602	送布曲柄组件 Feed rock shaft crank assy
17-1	PF5550649	拾牙连杆 CONNECTING ROD
17-10	PF5550610	送料短摆动杆 Feeding short swing lever
17-11	PF555069	送料长摆动杆 Feeding long swinging rod
17-12	PF5550724	摆动板复位板 Reset board board seat swing
17-13	PF5550633	螺钉11/64-40 L=7 SCREW 11/64-40 L=7
17-2	PF555067	送布连杆销 Feed rod pin
17-3	PF555068	送布连杆螺钉 SCREW 9/64-40 L=6
17-4	PF555061601	送料摆动板座右销(长) Feeding off the right swing board seat
17-5	PF888056D613	送料摆动板座组件 Block feed swing plate assembly
17-6	PF5550614	送料摆动板座右销(短) Feeding off the swing board seat left
17-7	PF6150326	螺钉15/64-28 L=7 SCREW 15/64-28 L=7
17-8	PF555068	螺钉 SCREW
17-9	PF5550611	短摆动板连接销 Short swing seat connecting pin board
18-1	PF90000624	牙架销 Feed bar shaft
18-2	PF90000634	牙架组件 Tooth rack components
18-3	PF5550635	螺钉1/8-44 L=6 SCREW 1/8-44 L=6
18-4	PF852053301	送布牙 Feed dog
18-5	PF90000623	牙架曲柄 Crank tooth rack
18-6	PF5550633	螺钉 SCREW
18-7	PF90000621	螺钉 SCREW
19	PF90000625	送布拾牙轴前轴套 Feed, before the lift shaft sleeve teeth
20-1	PF5550653	拾牙送布轴紧圈 Tight circle
20-2	PF6150304	螺钉 SCREW
21-1	PF90000620	送布轴 Feed rock shaft
21-2	SCJ1036	送料,拾牙轴卡簧 C-type stop ring
22-1	PF5550618	送布曲柄 Feed rock shaft crank (right)
22-2	PF5550621	送布曲柄螺钉 SCREW
23	PF5550619	送布曲柄连接销 Feed crank pin connection
24	PF555068	螺钉 SCREW
25	PF5550651	螺母 Nut

零件编号 (number)	零件品号 (Product number)	零件名称 (Product name)
26-1	PF90000632	抬牙曲柄 Tooth crank lift
26-2	PF5550648	抬牙曲柄螺钉 SCREW
27	PF5550650	螺钉 SCREW
28-1	PF90000631	抬牙轴 Lift shaft tooth
29-1	PF5550642	抬牙叉 Fork lift teeth
29-2	PF6150607	螺钉11/64*40-11.5 Screw 11/64*40-11.5
30	PF5550716	倒送料轴轴套 Down feed shaft sleeve
31-1	PF90000723	倒送料轴 Down feed axis
31-2	PF5550715	倒送料轴O形圈 O-ring

UPPER KNIFE MECHANIS

6. 切刀部件/UPPER KNIFE MECHANIS

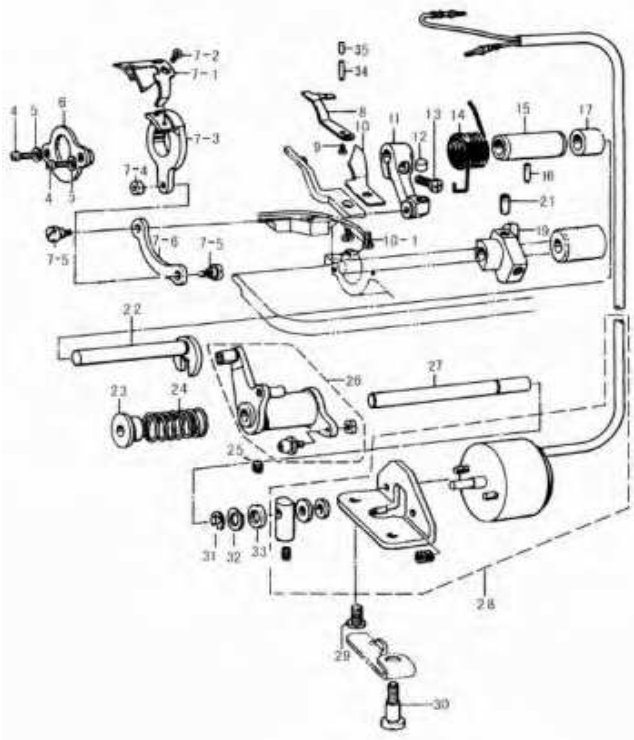


零件编号 (number)	零件品号 (Product number)	零件名称 (Product name)
01	PF9520MXDK013	切刀摆动轴套L Rock shaft bush L
02	PF9520MXDK014	切刀摆动轴套R Rock shaft bush R
03	PF9520MXDK046	切刀摆动轴组件 Rock shaft w/screw
03-1	PF9520MXDK04601	切刀摆动轴 Rock shaft
03-2	PF9520MXDK04602	驱动曲柄销 Pin
03-3	PF9520MXDK064	切刀离合销 Pin
03-4	PF9520MXDK04603	离合柄 Clutch bracket
03-5	PF9520MXDK04604	螺母 Nut
03-6	PF9520MXDK04605	离合柄弹簧 Spring
03-7	PF9520MXDK04606	紧定螺钉 Set screw
03-8	PF5550833	油线 Oil wick
03-9	PF8420M-D31112	油毡 Felt
04-1	PF9520MXDK038	驱动轴紧圈 Set screw collar
04-2	BF310164514	紧定螺钉 screw
05	PF9520MXDK047	切刀驱动凸轮组件 Knife eccentric wheel assy
05-1	PF9520MXDK04701	切刀驱动凸轮 Knife eccentric wheel
05-2	PF9520MXDK04702	螺钉 Set screw
05-3	PF9520MXDK04702	螺钉 Set screw
05-4	PF9520MXDK04703	摆动连杆 Rock connecting rod
05-5	PF9520MXDK018	摆动曲柄销 Pin
05-6	PF9520MXDK04704	螺钉 Set screw
05-7	PF9520MXDK062	摆动曲柄 Rock arm

零件编号 (number)	零件品号 (Product number)	零件名称 (Product name)
05-8	PF9520MXDK04705	螺钉 Set screw
06	PF5550330	紧定螺钉15/64X28 L=7 Set screw 15/64X28 L=7
07	PF9520MXDK016	切刀下轴套Knife shaft bush D
08	PF9520MXDK015	切刀上轴套Knife shaft bush U
08-1	PF9990238	卡簧 C-type stop ring
10	PF9520MXDK006	切刀轴 Knife shaft
12	PF9520MXDK019	切刀轴弹簧Spring assy
13-1	PF9520MXDK005	切刀轴导向架 Knife shaft guide
13-2	BF700S039	螺钉11/64*40-9.5 screw 11/64*40-9.5
14	PF90008133	缓冲垫 O ring P9
16	PF9520MXDK042	切刀轴扳手螺钉 Screw
17	PF9520MXDK002	切刀轴导向 Knife shaft guide
18	PF5550412	螺钉9/64X40 L=10.5 Screw 9/64X40 L=10.5
19	PF9520MXDK045	切刀架组件 Knife holder
19-1	PF9520MXDK04501	切刀架 Knife holder
19-2	PF9520MXDK020	切刀 Upper knif
19-3	PF9520MXDK04502	切刀压板 Knife washer
19-4	PF9520MXDK04503	切刀压板螺钉 Scerw bind
20	PF68425K25	螺钉 Set screw
22-1	PF9520MXDK056	右推板 Needle plate
22-3	PF9520MXDK039	排屑罩 Material cover
22-4	BF700S014	排屑罩螺钉 Material cover screw
24	PF9520MXDK054	右推板螺钉 Needle plate screw
26	SFPF9520MBZJ	面板组件 Face plate assy
26-1	PF8420M-D3010107	孔塞 Rubber plug
26-2	PF9520MXDK026	复位扳手轴位螺钉 Shouler screwc
26-3	PF68425D1901	扳手轴位螺钉垫圈 Shouler screwc
26-4	PF9520MXDK024	复位扳手 Clear lever
26-5	PF9520MXDK023	扳手弹簧复位套 Collar
26-6	PF9520MXDK035	复位扳手弹簧 Spring

THREAD TRIMMER MECHANISM

7. 自动切线装置/THREAD TRIMMER MECHANISM

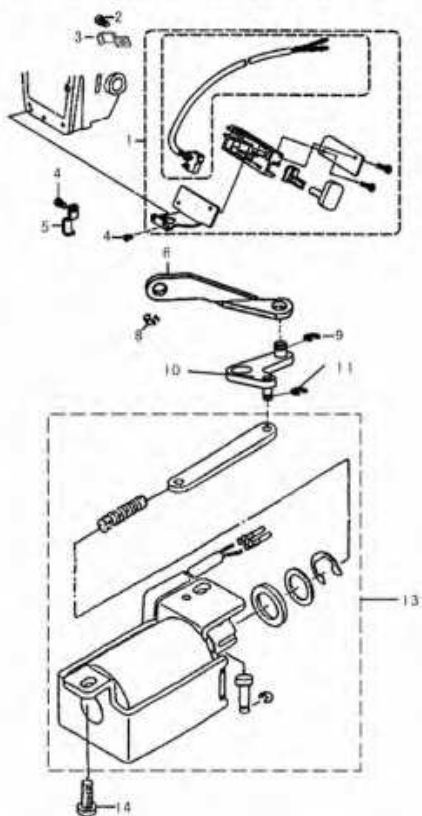


零件编号 (number)	零件品号 (Product number)	零件名称 (Product name)	9520 用量 (Number of 9520 used)
04	PF90008112	螺钉 Screw	2
05	PF5550630	垫圈 Washer	2
06	PF90008110	刀架压板组件 Knife bracket presser assy	1
07-1	PF9000811301	动刀 Motorial knife	1
07-2	PF90008114	螺钉 Screw	2
07-3	PF90008109	刀架 Knife bracker	1
07-4	PF90008117	螺母 Nur	1
07-5	PF90008116	螺钉 Nut	2
07-6	PF90008115	刀架连杆 Knife shaft connecting rod	1
08	PF90008104	定刀 Fixed knife	1
09	PF68425H26	固定刀螺钉 Screw	1
10	PF90008106	分线器 Thread partition	1
10-1	PF6150211	分线器固定螺钉 Screw	1
11	PF90008118	切线驱动曲柄组件 Thread shear rock arm	1
12	PF9000811801	驱动曲柄止动块 Positioning block	1
13	PF9000812001	螺钉 Screw	1
14	PF90008121	切刀曲柄弹簧 Spring	1
15	PF90008124	切线轴套 Thread shear shaft bush	1
16	PF55506461	切线轴套螺钉 Screw	1
17	PF90008123	切线驱动曲柄轴短套 SHORT BUSHING	1
19	PF90008101	切线凸轮 Thread shear cam	1
21	PF90008103	螺钉 1/4X40 L=10 Screw, 1/4X40 L=10	2

零件编号 (number)	零件品号 (Product number)	零件名称 (Product name)	9520 用量 (Number of 9520 used)
22	PF90008122	切刀驱动曲柄轴 Thread shear rock arm shaft	1
23	PF90008131	扭簧端盖 Spring cover	1
24	PF90008132	切线凸轮复位弹簧 Spring	1
25	PF90008129	螺钉 1/4X40 L=6 Screw, 1/4X40 L=6	1
26	PF90008126	切线凸轮曲柄组件 Thread shear cam rock arm assy	1
27	PF90008130B	切刀驱动轴 Thread shear shaft	1
28	PF9802804	切线电磁铁组件 Solenoid components tangent	1
29	PF90008141	螺钉 1/4X28 Screw 1/4X28	1
30	PF90008142	螺钉 1/4X28 Screw 1/4X28	1
31	SCJ1009	切线驱动轴卡圈 Washer	1
32	PF90008134	切线驱动轴垫圈 CLIP	1
33	PF90008133	切线磁铁垫圈 WASHER	1
34	PF900081412	定刀顶紧螺钉 SCREW 1/8-44X6	1
35	BF7005292	定刀顶紧螺钉 SCREW 1/8-44X3	1

AUTOMATIC REVERSE MECHANISM

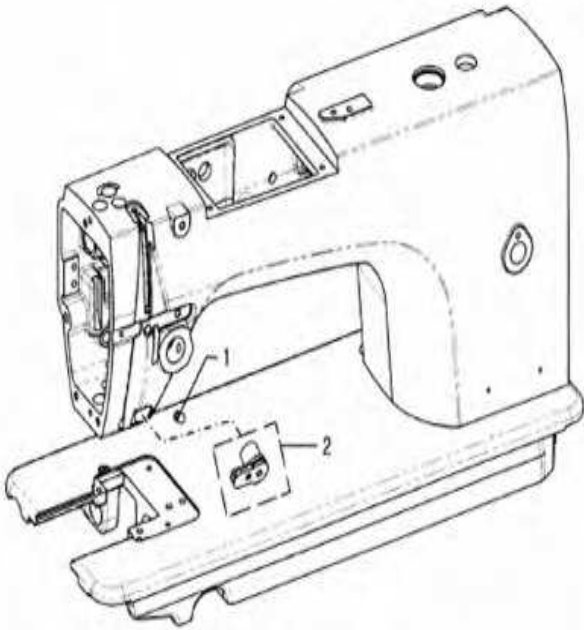
8. 自动倒缝装置/AUTOMATIC REVERSE MECHANISM



零件编号 (number)	零件品号 (Product number)	零件名称 (Product name)	9520 用量 (Number of 9520 used)
01	PF9802651	自动倒缝开关组件 Automatically switch back seam component	1
02	PF5550161	螺钉3/16X28-12 Screw 3/16X28-12	2
03	PF99901511	电线夹 Wire clip	2
04	PF555016	挡板螺钉3/16X28-9 Screw 3/16X28-9	2
05	PF99901160	电线压板U2 Wire plate U2	1
06	PF888056D740	自动倒缝连杆 Automatically link back seam	1
08	SCJ1006	卡簧 C-type stop ring	1
09	SCJ1007	卡簧 C-type stop ring	1
10	PF888056D737	自动倒送料曲柄 Automatic reverse feed crank	1
11	SCJ1004	卡簧 C-type stop ring	1
13	PF9802646	倒缝电磁铁组件 Reverse stitching magnetic plug assy	1
14	PF888056D730	螺钉15/64X28-12 Screw 15/64X28-12	2

WIRE CLAMPING DEVICE

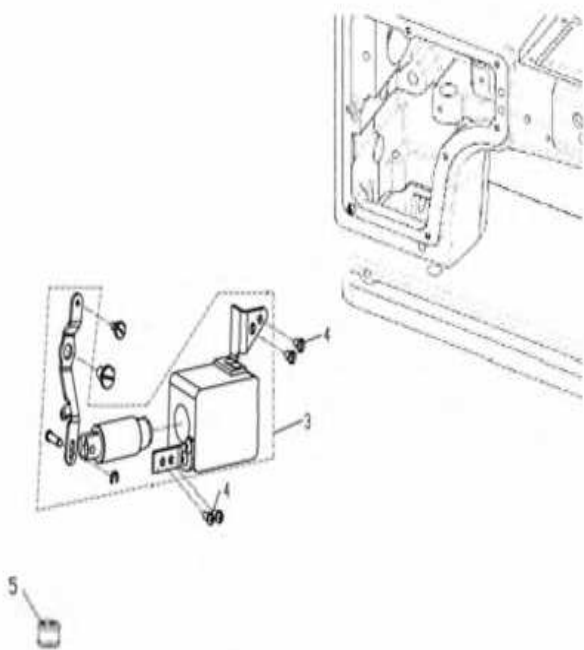
9. 夹线装置/WIRE CLAMPING DEVICE



零件编号 (number)	零件品号 (Product number)	零件名称 (Product name)	9520 用量 (Number of 9520 used)
01	PF9800TD409	螺钉 Screw	1
02	PFQ595	电子夹线器组件 Sweep line solenoid assembly	1

PRESSER FOOT DEVICE

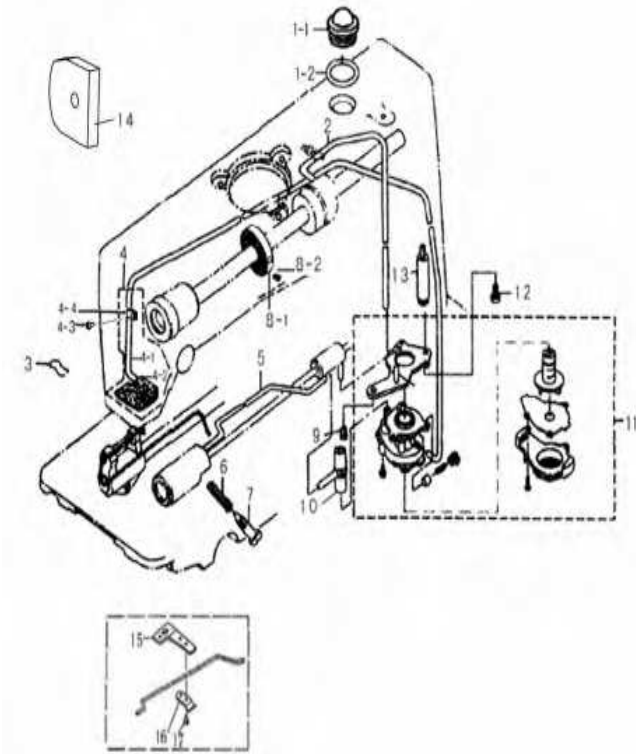
10. 抬压脚电磁铁/PRESSER FOOT DEVICE



零件编号 (number)	零件品号 (Product number)	零件名称 (Product name)	9520 用量 (Number of 9520 used)
03	PF9800TD403	抬压脚电磁铁组件(内置) PRESSER FOOT SOLENOID ASM	1
04	PF5550161	螺钉3/16X28-12 Screw 3/16X28-12	4
05	PF9800TD406	电线过线套 Wire crossing sleeve	1

OIL LUBRICATION MECHANISM

11. 润滑装置/OIL LUBRICATION MECHANISM



零件编号 (number)	零件号 (Product number)	零件名称 (Product name)	9520 用量 (Number of 9520 used)
01-1	PF5550824	油窗 Oil cap	1
01-2	PF5550825	O型圈Oing , PW14	1
02	PF9800TD408	上轴供油管On the shaft for the pipeline	1
03	PF5550831	滤油毡压簧 Filter felt compression spring	1
04	SFPF9520YGZJ	回油管组件 Oil return pipe assy	1
04-1	SCJ5030	回油管 Oil return pipe	1
04-2	PF5550830	机头回油滤油毡 Felt pouch	1
04-3	PF5550230	螺钉 Screw	1
04-4	PF5550827	回油管夹 Oil return tube holder	1
05	PF90001022	旋梭供油管 Hook for tubing	1
06	PF90001024	调节弹簧 Adjusting spring	1
07	PF90001023	调节螺钉 Screw	1
08-1	PF90000237	绕线驱动轮 Winder wheel	1
08-2	PF68425H33	螺钉11/64X40 L=6 Screw 11/64X40 L=6	1
09	PF2284014802	油泵螺钉 Screw	1
10	PF5550817	供油管接头 For pipe joints	1
11	PF555081	油泵组件 Pump components	1
12	PF555056	油泵连接螺柱螺钉 Stud screw pump connection	1
13	PF888056D1017	油泵连接螺柱 Pump connection stud	1
14	PF90011038	海绵 Sponge	1
15	PF888056D442	软管下支撑板 Wire holder barcket(lower)	1
16	PF888056D437	软管下支撑板压板 Wire holder	1

零件编号
(number)

零件品号
(Product number)

零件名称
(Product name)

9520 用量
(Number of 9520 used)

17

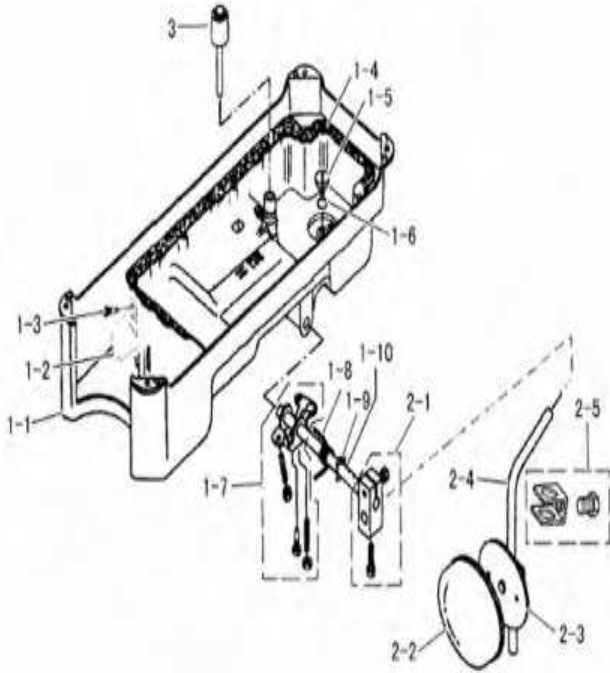
PF5550725

螺钉 11/64-40 L=7 SCREW 11/64-40 L=7

1

OIL RESERVOIR MECHANISM

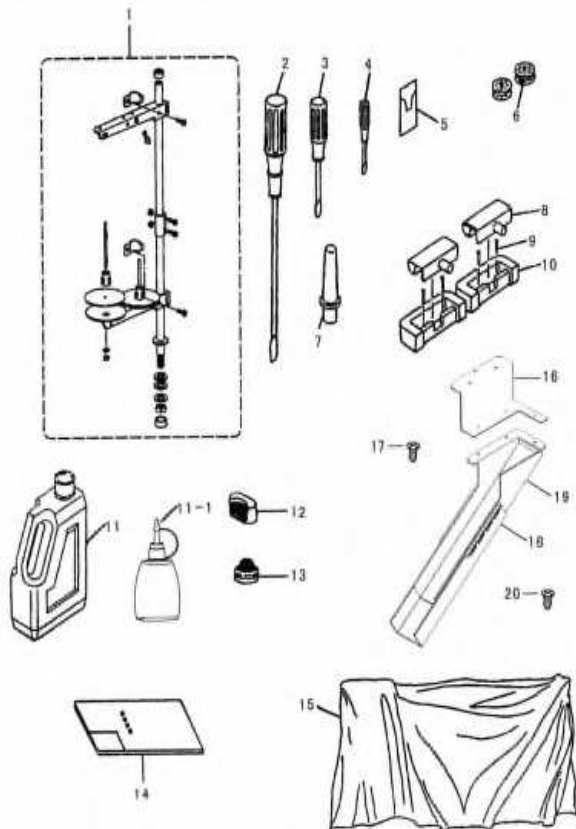
12. 油盘装置/OIL RESERVOIR MECHANISM



零件编号 (number)	零件品号 (Product number)	零件名称 (Product name)	9520 用量 (Number of 9520 used)
01-1	PF8520802	油盘 Oil reservoir	1
01-10	PF5550917	膝控铰链轴 Knee lifter shaft	1
01-2	PF8520824	油盘导油板 Oil reservoir stopper plate	1
01-3	PF5550317	螺钉 Screw	2
01-4	PF555093	油盘垫 Gasket for oil reservoir	1
01-5	PF555095	排油孔螺钉 Screw	1
01-6	PF555096	排油螺钉O形圈 O rin	1
01-7	PF5550912	膝控限位架组件 Knee lifter stop bracket assy	1
01-8	PF5550916	膝控复位簧 Twist spring	1
01-9	SCJ1014	膝控复铰链轴挡圈 Retaining ring e10	1
02-1	PF5550919	碰块弯杆接头组件 Joint for knee lifter bell crank assy	1
02-2	PF5550924	碰块垫 Knee lifter plate	1
02-3	PF5550925	膝控碰块 Knee lifter plate assy	1
02-4	PF5550922	膝控弯杆 Knee lifter bar	1
02-5	PF5550926	碰块架组件 Bracket far knss lifter plate	1
03	PF5550911	顶杆 Mandrel	1

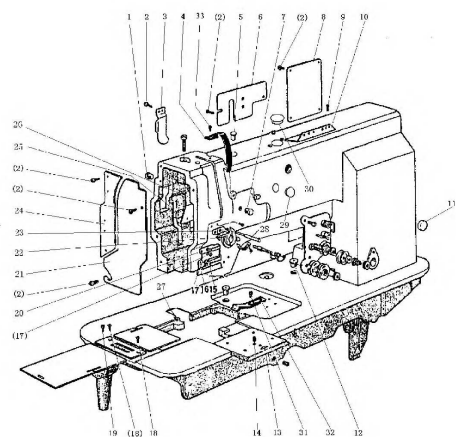
ACCESSORIES

13. 附件/ACCESSORIES



零件编号 (number)	零件品号 (Product number)	零件名称 (Product name)	9520 用量 (Number of 9520 used)
01	PF55501127	线架组件 THREAD STAND AMS	1
02	PF55501016	螺丝刀 (大) SCREW DRIVER (LARGE)	1
03	PF55501017	螺丝刀 (中) SCREW DRIVER (MIDDLE)	1
04	PF55501018	螺丝刀 (小) SCREW DRIVER (SMALL)	1
05	PFDTDB114	机针 NEEDLE	4
06	PF555053	梭心 BOBBIN	2
07	PFQ51425	机头支柱 FRAME SUPPORT BAR	1
08	PF5550101	机头连接钩 HINGE COMPL	2
09	SCJ6018	机头连接钩钉 RUBBER CUSHION NAIL	4
10	PF5550102	机头连接钩座 RUBBER CUSHION	2
11	PF55501022	油壶 OILER ASM.	1
11-1	PF61501105	小油壶 SMALL OILER ASM.	1
12	PF555099	机头大防震块 NOSE SUPPORT	2
13	PF555098	机头小防震块 DIE CUSHION	2
14	PF5550102301	附件拉链袋 Accessory zipper bag	1
15	PF5550102001	机头罩 FRAMEVINYL COVER	1
16	PF8520831	小漏斗 Little funnel	1
17	SCJ2073	木螺钉 Self tapping screw	4
18	PF8520830	大漏斗 Big funnel	1
19	PF8520826	中漏斗 Middle funnel	1
20	BF8007019	螺钉 SCREW	10

1. 机壳部件 / ARM BED AND ITS ACCESSORIES



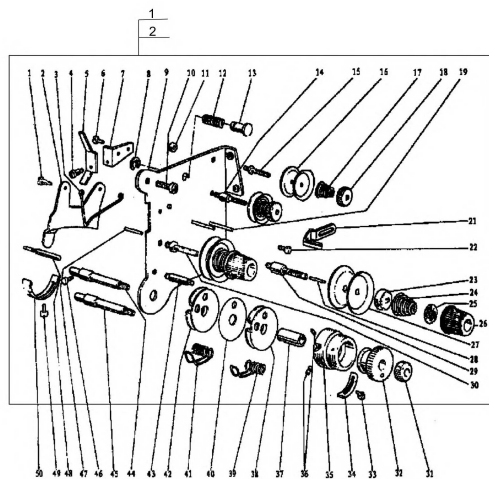
— 15 —

零件编号 (number)	零件品号 (Product number)	零件名称 (Product name)	4400 用量 (Number of 4400 used)	4420 用量 (Number of 4420 used)
01	PF44200101	机头橡皮塞Rubber plug	1	1
02	PF20520107	后盖板螺钉组件	13	13
03	PF44200103	防油板Oil guard plate	1	1
04	PF44200104	挑线杆防护罩Thread take-up cover	1	1
05	PF44200105	橡皮塞Rubber plug	1	1
06	PF44200106	后盖板 (左) Side cover(left)	1	1
07	PF20520113	橡皮塞Rubber plug	1	1
08	PF44200108	后盖板 (右) Side cover(right)	1	1
09	PF20520102	线勾螺钉Screw	1	1
10	PF20520115	上过线板Thread guide	1	1
11	PF44200111	橡皮塞Rubber plug	1	1
12	PF44200116	油杯Cap	2	2
13	PF20520118	推板 (前) 组件	1	1
14	PF20520117	紧定螺钉Screw	1	1
15	PF20520141	羊毛毡Felt	1	1
16	PF44200116	过线勾Thread guide	1	1
17	PF20520106	圆柱头螺钉Screw	2	2
18	PF6150138	针板螺钉Screw	1	1
19	PF20520123	针板螺钉 (后) Screw	1	1
20	PF44200121	线勾 (中) Thread guide(middle)	1	1
21	PF44200122	面板Face plate	1	1
22	PF20520102	过线勾沉头螺钉Screw	1	1

零件编号 (number)	零件品号 (Product number)	零件名称 (Product name)	4400 用量 (Number of 4400 used)	4420 用量 (Number of 4420 used)
23	PF44200124	线勾 (上) Thread guide(upper)	1	1
24	PF44200125	滑块导轨安装板Guide mounting plate	1	1
25	PF20520103	挡油罩板垫块Plate for oil guard	1	1
26	PF20520138	挡油罩板Oil guard	1	1
27	PF68425A02	针板定位销 Pin	1	1
28	PF44200129	挺线销Tension releasing pin	1	1
29	PF44200130	橡皮塞Rubber plug	1	1
30	PF44200131	橡皮塞Rubber plug	1	1
31	PF5550725	圆柱头螺钉Screw	1	0
32	PF44200133	推板止动板Tension releasing plate	1	0
33	PF68425A08	后窗板螺钉Screw	1	1

THREAD TENSION REGULATOR MECHANISM

2. 夹线调节部件 / THREAD TENSION REGULATOR MECHANISM

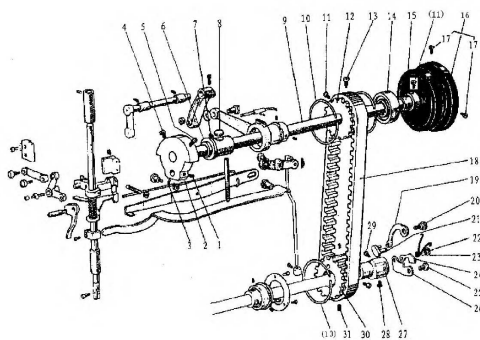


— 17 —

零件编号 (number)	零件品号 (Product number)	零件名称 (Product name)	4400 用量 (Number of 4400 used)	4420 用量 (Number of 4420 used)
01	PF4400Z0202	单线夹线器组件 UPPER THREAD TENSION ASSY	1	0
02	PF4420Z0201	双线夹线器组件 UPPER THREAD TENSION ASSY	0	1
10	PF68425A08	后窗板螺钉 Screw	1	1
46	PF44200246	挑线簧轴紧固螺钉 Screw	1	1
49	PF20520106	圆柱头螺钉 Screw	1	1
50	PF20520243	止动块 Stopper	1	1

ARM SHAFT MECHANISM

3. 上轴部件 / ARM SHAFT MECHANISM

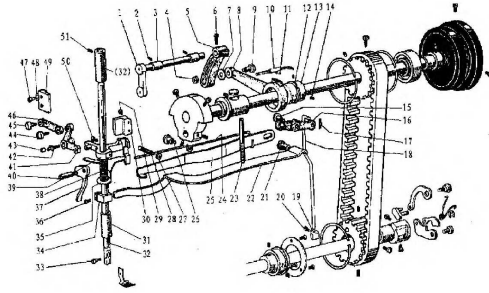


— 20 —

零件编号 (number)	零件品号 (Product number)	零件名称 (Product name)	4400 用量 (Number of 4400 used)	4420 用量 (Number of 4420 used)
01	PF5550625	挑线曲柄定位螺钉Set screw	1	1
02	PF44200302	针杆曲柄Crank	1	1
03	PF6150304	上轴紧圈螺钉Screw	1	1
04	PF6150214	针杆曲柄螺钉Screw	1	1
05	PF6150215	针杆曲柄定位螺钉Set screw	1	1
06	PF20520307	上轴轴套 (左) Arm shaft bushing (left)	1	1
07	PF44200307	紧定螺钉Screw	1	1
08	PF20520308	羊毛毡Felt	1	1
09	PF20520330	上轴Arm shaft	1	1
11	PF20520802	同步带轮螺钉Screw	3	3
12	PF44200312	同步带轮 (上) Belt pulley (upper)	1	1
13	PF6150619	倒缝操纵杆曲柄螺钉Screw	1	1
14	PF20520322	轴承Bearing	1	1
15	PF20520323	轴套Bushing	1	1
16	PF44200317	主动轮Pulley	1	1
17	PF6150312	主动轮螺钉Screw	2	2
18	PF20520327	同步带Cog belt	1	1
30	PF4420Z0301	同步带轮 (下) Belt pulley (lower)	1	1
31	PF6150405	送布轴轴套螺钉Screw	2	2

PRESSER FOOT MECHANISM

4. 压脚部件 / PRESSER FOOT MECHANISM



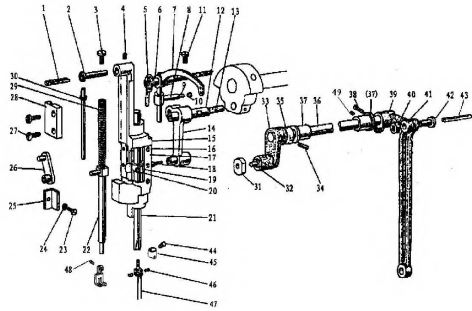
— 22 —

零件编号 (number)	零件品号 (Product number)	零件名称 (Product name)	4400 用量 (Number of 4400 used)	4420 用量 (Number of 4420 used)
01	PF44200401	压脚提升曲柄轴Feed lifting rock shaft	1	1
02	PF44200402	曲柄轴轴套螺钉Screw	2	2
03	PF44200403	压脚提升曲柄轴轴套Bushing	2	2
04		调节螺母Nut	1	1
05		调节曲柄Lever	1	1
06		送布轴曲柄 (右) 螺钉Screw	1	1
07		垫圈Washer	1	1
08	PF4420Z0401	偏心轮连杆Connecting rod	1	1
09		调节螺钉Bolt	1	1
10		油管组件Oil pipe & wick complete	1	1
11	PF44200411	偏心连杆毛毡夹Spring	1	1
12		C型卡圈C-type stop ring	1	1
13	PF4420Z0401	压脚提升偏心轮Eccentric	1	1
14	PF4420Z0401	挑线曲柄定位螺钉Screw	2	2
15	PF44200415	连杆螺钉Screw	1	1
16	PF44200416	膝控提升连杆组件Knee lifting lever complete	1	1
17	PF1900A0526	开口销Snap pin	1	1
18	PF44200418	膝控提升拉杆Operation rod	1	1
19	PF44200419	膝控提升拉杆套环Sleeve	1	1
20	PF44200420	套环螺钉Screw	1	1
21	PF44200421	压簧支撑螺钉Screw	1	1
22	PF44200422	压紧杆簧Lever spring	1	1

零件编号 (number)	零件品号 (Product number)	零件名称 (Product name)	4400 用量 (Number of 4400 used)	4420 用量 (Number of 4420 used)
23	PF44200423	调压螺钉Screw	1	1
24	PF44200424	提升杠杆复位弹簧Twist spring	1	1
25	PF44200425	膝控提升杠杆Knee lifting lever	1	1
26	PF44200426	膝控提升杠杆螺钉Screw	1	1
27	PF44200427	复位弹簧螺帽Nut	1	1
28	PF44200428	复位弹簧螺钉Screw	1	1
29	PF61500607	导轨螺钉Screw	2	2
30	PF44200430	压紧杆提升架导轨Guide	1	1
31	PF44200431	外压紧杆下轴套Bushing	1	1
32	PF44200432	压紧杆Presser bar	1	1
33	PF20520332	外压脚紧定螺钉Screw	1	1
34	PF44200434	压紧杆弹簧架Spring bracket	1	1
35	PF44200435	松线推板Thread releasing plate	1	1
36	PF555049	压紧杆弹簧架螺钉Screw	1	1
37	PF44200437	压脚提升扳手Lifter lever	1	1
38	PF44200438	弹簧Spring	1	1
39	PF44200439	压紧杆提升架Bracket	1	1
40	PF44200440	压脚扳手螺钉Screw	1	1
41	PF44200441	压脚提升杠杆Bell crank	1	1
42	PF44200442	送料曲柄导柱轴Support shaft	1	1
43		滑柱Roller	1	1
44	PF44200444	曲柄连杆螺钉Screw	1	1
45	PF0302621	送料曲柄连杆螺钉Screw	1	1
46	PF44200446	曲柄连杆Link	1	1
47	PF6150107	导轨安装螺钉Screw	2	2
48		垫圈Washer	2	2
49	PF44200449	滑块导轨,Bell crank guide	1	1
50	PF44200450	提升架紧定螺钉Screw	1	1
51	PF44200307	提升架紧定螺钉Screw	1	1

NEEDLE BAR & THREAD TAKE-UP LEVER MECHANISM

5. 针杆挑线部件 / NEEDLE BAR & THREAD TAKE-UP LEVER MECHANISM



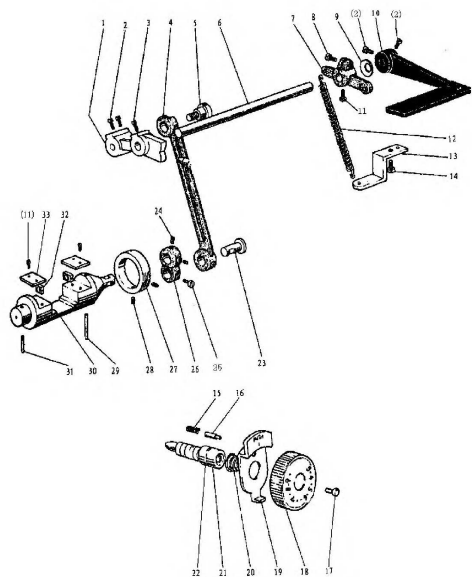
— 25 —

零件编号 (number)	零件品号 (Product number)	零件名称 (Product name)	4420 用量 (Number of 4420 used)	4400 用量 (Number of 4400 used)
01		油线Oil wick	1	1
02	PF44200502	针杆摆动架销Needle bar guide bracket stud	1	1
03	PF44200503	压紧杆螺钉Screw	1	1
04	PF68425E39	针杆摆动架紧定螺钉Screw	1	1
05		油线Oil wick	1	1
06		挑线杆铰链轴Thread take-up lever support stud	1	1
07	PF4420Z0502	挑线杆Thread take-up lever	1	1
08		滑杆Thread take-up slide brock	1	1
11	PF6150312	主动轮螺钉Screw	1	1
12	PF20520407	挑线曲柄连杆轴Needle bar crank pin	1	1
13		连杆轴油线Oil wick	1	1
15	PF4420Z0501	针杆摆动架Needle bar guide bracket	1	1
20	PF555049	圆柱头螺钉Screw	1	1
21-01	PF44200521	针杆Needle bar	1	0
21-02	PF44000521	针杆Needle bar	0	1
22	PF44200522	内压紧杆Vibrating presser bar	1	1
23	PF22520628	六角带槽螺栓Screw	1	1
24		垫片Washer	1	1
25	PF22520630	针杆导向块Needle bar guide	1	1
26	PF44200526	杠杆连杆Vibrating presser bar link	1	1
27		提升架紧定螺钉Screw	1	1
28	PF44200528	滑块导轨Vibrating presser bar guide	1	1

零件编号 (number)	零件品号 (Product number)	零件名称 (Product name)	4420 用量 (Number of 4420 used)	4400 用量 (Number of 4400 used)
29	PF44200529	内压脚弹簧Spring	1	1
30	PF44200530	压簧顶杆Vibrating presser spring guide	1	1
31	PF22520512	针杆架摆动滑块Square block	1	1
32	PF22520513	支撑轴螺钉Crank pin	1	1
33	PF22520514	针杆架摆动曲柄(左)Needle bar Vibrating crank (left)	1	1
34	PF22520515	摆动曲柄(左)锥销Taper	1	1
35	PF44200535	垫圈Collar	1	1
36	PF22520518	针杆架摆动曲柄轴Needle bar Vibrating shaft	1	1
37	PF20520412	针杆架摆动轴轴套Needle bar Vibrating shaft bushing	2	2
38	PF0302646	压脚曲柄(右)螺钉Screw	1	1
39	PF22520520	针杆架摆动曲柄(右)Needle bar Vibrating crank (right)	1	1
40	PF20520419	六角螺母Nut	1	1
41	PF22520524	针杆摆动架连杆Connecting link	1	1
42	PF20520417	曲柄连杆螺钉Screw	1	1
43		油线Oil wick	1	1
44		挡板安装螺钉 Screw	1	1
45		下过线环 Thread guide	1	1
46	PF44200546	机针支紧螺钉 Screw	1	1
47	PFDTDP1723	机针 DP×17 23# Needle	2	1
48		套环螺钉Screw	1	1
49		轴套螺钉Screw	1	1

STITCH REGULATOR MECHANISM

6. 针距调节部件 / STITCH REGULATOR MECHANISM



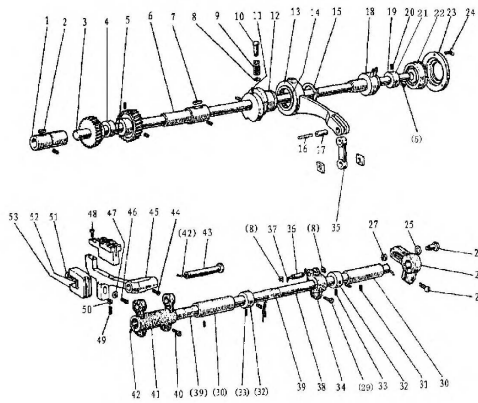
— 28 —

零件编号 (number)	零件品号 (Product number)	零件名称 (Product name)	4420 用量 (Number of 4420 used)	4400 用量 (Number of 4400 used)
01	PF44200601	针距调节曲柄Stitch regulator crank	1	1
02	PF20520802	同步带轮螺钉Screw	4	4
03	PF20520803	圆柱头螺钉Screw	1	1
04	PF44200604	针距调节连杆Link	1	1
05	PF6150518	针距连杆铰链轴Pin	1	1
06	PF44200606	倒缝操纵杆轴Reverse stitch shaft	1	1
07	PF20520809	倒缝操纵曲柄Reverse sewing crank	1	1
08	PF20520810	拉簧架螺钉Screw	1	1
09	PF6150627	倒缝操纵杆垫圈Spring washer	1	1
10	PF20520814	倒缝操纵杆Reverse sewing lever	1	1
11	PF68425A08	后窗板螺钉Screw	1	1
12	PF44200613	倒缝操纵曲柄弹簧Spring	1	1
13	PF20520816	弹簧架Spring bracket	1	1
14	PF6150107	面板螺钉 Screw	1	1
15	PF555076	止动销弹簧 Stop pin spring	1	1
16	PF0302425	止动销 Stop pin	1	1
17	PF44200618	针距标盘螺钉 Screw	1	1
18	PF44200621	针距标盘 Stitch length dial	1	1
19	PF44200622	针距按键 Stitch knob	1	1
20	PF44200623	针距按键簧 Coil spring	1	1
21	PF20520818	针距调节螺杆 Screw bar	1	1
22	PF6150629	O型圈 O ring	1	1

零件编号 (number)	零件品号 (Product number)	零件名称 (Product name)	4420 用量 (Number of 4420 used)	4400 用量 (Number of 4400 used)
23	PF20520805	偏心轴 Eccentric shaft	1	1
24	PF2052082301	内六角圆柱头螺钉 Screw	1	1
25	PF20520823	内六角紧定螺钉 Screw	1	1
26	PF44200629	倒缝操纵曲柄(下) Reverse sewing crank (lower)	1	1
27	PF44200630	挡圈 Collar	1	1
28	PF68425E39	内六角紧定螺钉 Screw	1	1
29		倒缝台羊毛毡(长) Felt	1	1
30	PF44200633	倒缝台 Reverse block	1	1
31		倒缝台羊毛毡(短) Felt	1	1
32		滑块 Square block	1	1
33		导向板 Guide plate	1	1

LOWER SHAFT AND FEED ROCK SHAFT MECHANISM

7. 下轴、送布轴部件 / LOWER SHAFT AND FEED ROCK SHAFT MECHANISM



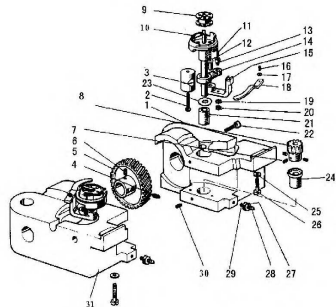
— 30 —

零件编号 (number)	零件品号 (Product number)	零件名称 (Product name)	4420 用量 (Number of 4420 used)	4400 用量 (Number of 4400 used)
01	PF44200701	下轴轴套(左)Lower shaft bushing (left)	1	1
02		油线Oil wick	1	1
03	PF44200703	下轴Lower shaft	1	1
04	PF44200704	抬牙凸轮Feed eccentric cam	1	1
05	PF20520905	紧定螺钉Screw	1	1
06	PF44200706	下轴轴套(右)Lower shaft bushing (right)	1	1
07		油绳Oil wick	1	1
08	SCJ1009	挡圈E-type stop ring	1	1
09	PF44200709	复位弹簧Spring	1	1
10	PF44200710	复位按钮Push button	1	1
11		送布凸轮紧定螺钉Screw	1	1
12	PF4420Z0701	送布凸轮Feed eccentric cam	1	1
13		送布凸轮连杆Feed connecting rod	1	1
14		轴承Needle bearing	1	1
15		C型挡圈C-type stop ring	1	1
16		油线Oil wick	1	1
17	PF44200717	送布凸轮连杆销Shaft	1	1
18	PF44200718	下轴轴套(中)组件Bushing complete (middle)	1	1
19	PF44200719	轴套Bushing	1	1
20	PF5550625	轴套紧定螺钉Screw	1	1
21		轴用挡圈C-type stop ring	1	1
22	PF44200722	轴承Ball bearing	1	1

零件编号 (number)	零件品号 (Product number)	零件名称 (Product name)	4420 用量 (Number of 4420 used)	4400 用量 (Number of 4400 used)
23	PF44200723	挡板Bearing holder	1	1
24	PF20520106	挡板螺钉Screw	1	1
25	PF44200725	垫圈Washer	1	1
26	PF44200726	送布曲柄螺钉Screw	1	1
27	PF44200727	调节螺母Nut	1	1
28	PF44200728	送布曲柄(右)Feed connecting crank (right)	1	1
29	PF0302646	圆柱头螺钉Screw	1	1
30	PF20520940	送布轴轴套Feed rock shaft bushing	1	1
31		紧定螺钉Screw	1	1
32	PF6150512	送布轴紧圈Collar	1	1
33	PF5550625	送布轴紧圈螺钉Screw	1	1
34	PF44200735	送布曲柄(中)Feed connecting crank (middle)	1	1
35	PF44200736	连杆Link	1	1
36	PF44200738	连杆销Pin	1	1
37		油线Oil wick	1	1
38	PF20520938	送布轴Feed rock shaft	1	1
39		羊毛毡Felt	1	1
40	PF6150507	牙架曲柄螺钉Screw	1	1
41	PF20520942	牙架曲柄Feed bar crank	1	1
42		油线Oil wick	1	1
43	PF20520929	牙架曲柄轴Feed bar shaft	1	1
44	PF2052082301	内六角紧定螺钉Screw	1	1
45-01	PF20520926	牙架Feed bar	1	0
45-02	PF44000750	牙架Feed bar	0	1
46	PF20520945	六角螺栓Screw	1	1
47		垫圈Washer	1	1
48	PF20520952	内六角螺钉Screw	1	1
49		内六角紧定螺钉Screw	1	1
50		螺母Nut	1	1
51	PF20520951	圆柱头螺钉Screw	1	1
52	PF68425K43	羊毛毡Felt	1	1
53	PF44200757	拾牙曲柄牙叉Feed bar connecting fork	1	1

HOOK SADDLE MECHANISM

8. 旋梭部件 / HOOK SADDLE MECHANISM



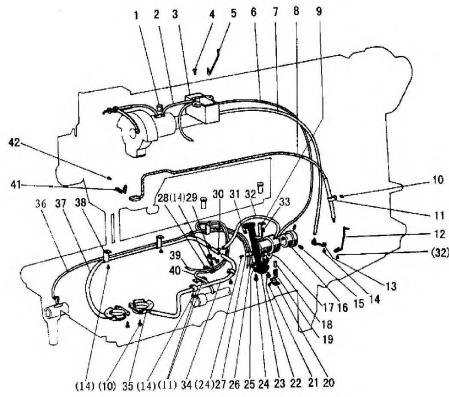
— 33 —

零件编号 (number)	零件品号 (Product number)	零件名称 (Product name)	4400 用量 (Number of 4400 used)	4420 用量 (Number of 4420 used)
01	PF2052H1001	旋梭台 (右) Hook saddle (right)	1	1
02	PF68425H2701	圆柱头螺钉Screw	1	2
03	PF68425H27	旋梭台锁紧块Sleeve assembly	1	2
04	PF5550625	大齿轮定位螺钉Screw	4	8
05	PF44200805	旋梭台大齿轮Hook driving gear (large)	1	2
06		大齿轮紧定螺钉Screw	1	2
07	PF6150304	小齿轮紧定螺钉Screw	3	6
08	PF44200808	旋梭台小齿轮Hook driving gear (small)	1	2
09	PF68725H41	梭心Bobbin	1	2
10	PF44200811	旋梭组件Hook complete	1	2
11		油线Oil wick	2	4
12	PF20521010	拨线勾支架轴Opener bracket shaft	1	2
13	PF20521011	特殊螺钉Screw	1	2
14	PF2052H1012	支架连杆Link	1	2
15	PF2052H1013	拨线勾支架Opener bracket	1	2
16	PF68425H52	摆动连杆轴螺钉Screw	1	1
17		垫圈Washer	1	1
18	PF2052H1018	旋梭拨线勾Opener	1	2
19		弹簧垫圈Spring washer	1	2
20	PF20521015	牙架连杆铰链轴螺母Nut	1	2
21	PF2052H1002	旋梭轴轴套 (上) Hook shaft bushing (upper)	1	2
22	PF20521019	内六角螺钉Screw	1	2

零件编号 (number)	零件品号 (Product number)	零件名称 (Product name)	4400 用量 (Number of 4400 used)	4420 用量 (Number of 4420 used)
24	PF20521023	旋梭轴轴套 (下) Hook shaft bushing (lower)	1	2
25		垫圈Washer	1	1
26	PF20521025	圆柱头螺钉Screw	1	1
27	PF20521027	调节螺母Nut	1	1
28	PF20521026	特殊螺钉Screw	1	1
29	PF20521028	波形垫圈Spring washer	1	1
30	PF6150405	送布轴轴套螺钉Screw	1	1
31	PF2052H1032	旋梭台 (左) Hook saddle (left)	1	1

OIL LUBRICATION MECHANISM

9. 润滑部件 / OIL LUBRICATION MECHANISM



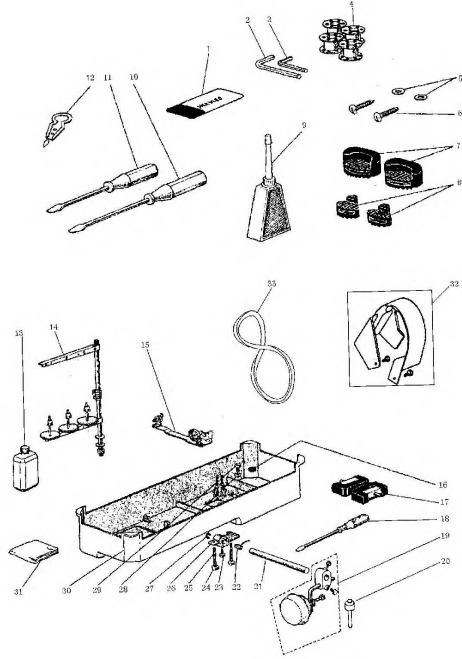
— 35 —

零件编号 (number)	零件品号 (Product number)	零件名称 (Product name)	4400 用量 (Number of 4400 used)	4420 用量 (Number of 4420 used)
01	PF20521104	羊毛毡 Felt	1	1
02		油管组件 Oil pipe complete	1	1
03	PF20521107	油箱组件 Oil reservoir complete	1	1
04	PF20521109	螺钉 (镀锌) Screw	2	2
05	PF20521160	油管夹 Holder	1	1
06	SCJ5010	油管Φ3×1×480 Oil pipe	1	1
07	SCJ5010	油管Φ5×1×420 Oil pipe	1	1
08		回油管组件 Oil reflux complete	1	1
09	PF44200909	滤油器固定夹 Filter holder	1	1
10	PF555068	油管夹固定螺钉 Screw	4	7
11	PF20521118	机头回油管固定夹 Holder	5	4
12	PF44200913	油管夹 Holder	1	1
13	PF20521119	油管夹 Holder	1	1
14		油管夹螺钉 Screw	9	9
15	PF7810638	轴套紧定螺钉 Screw	2	2
16	PF44200917	轴套 Bushing	1	1
17		油管 Oil pipe	1	1
18	PF20521126	柱塞 Pin	1	1
19	PF20521127	柱塞弹簧 Spring	1	1
20	PF20521128	柱塞弹簧挡板 Spring holder	1	1
21	PF20521129	挡板安装螺钉 Screw	1	1
22	PF20521130	圆柱头螺钉 Screw	1	1

零件编号 (number)	零件品号 (Product number)	零件名称 (Product name)	4400 用量 (Number of 4400 used)	4420 用量 (Number of 4420 used)
23	PF20521131	过滤板 Filter	1	1
24	PF20521132	圆柱头螺钉 Screw	1	1
25	PF44200926	油管板组件 Mounting plate complete	1	1
26	PF6150539	油线夹 Clip	1	1
27	PF20521134	油管夹 Holder	1	1
28	PF44200928	油管夹 Holder	1	1
29	PF20521148	油管夹 Holder	1	1
30	PF20521149	三通油管组件 Oil pipe joint	1	1
31	PF6150107	安装板固定螺钉 Screw	1	1
32	SCJ5010	油管 $\Phi 3 \times 1 \times 120$ Oil pipe	1	1
33	PF20520107	后盖板螺钉组件 Screw	2	2
34	SCJ5010	油管 $\Phi 3 \times 1 \times 420$ Oil pipe	1	1
35	PF20521141	供油管盖组件 Oil reservoir complete	1	2
36		油管组件 Oil pipe complete	1	1
37	SCJ5010	油管 $\Phi 3 \times 1 \times 425$ Oil pipe	1	1
38	PF20521147	油管夹 Holder	1	1
39		油管组件 Oil pipe complete	1	1
40		油管组件 Oil pipe complete	1	1
41	PF44200944	油管夹 Spring	1	1
42	PF90008108	挑线杆防护罩螺钉 Screw	1	1

ACCESSORIES

10. 附件 / ACCESSORIES

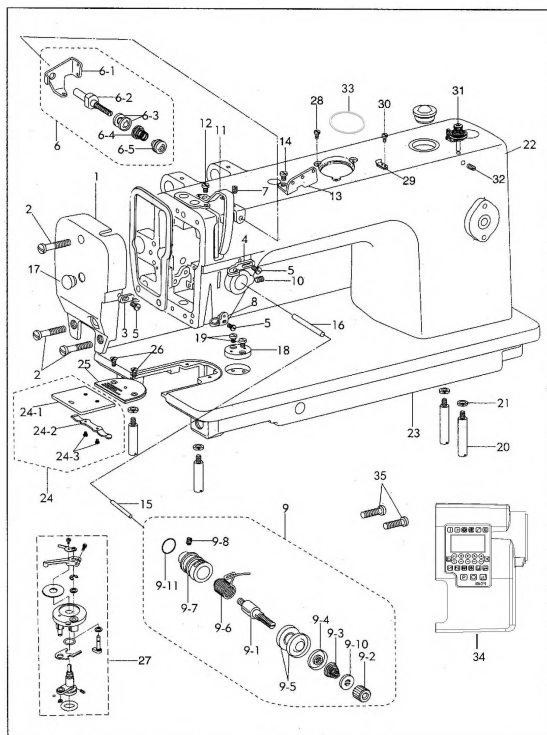


— 37 —

零件编号 (number)	零件品号 (Product number)	零件名称 (Product name)	4400 用量 (Number of 4400 used)	4420 用量 (Number of 4420 used)
01	PFDTDP1723	机针 DP×17 23# Needle	1	1
02	PF68425Z108	内六角扳手 (3mm) Socket wrench	1	1
03	PF68425Z109	内六角扳手 (2.5mm) Socket wrench	1	1
04	PF68725H41	梭心 Bobbin	2	4
05		垫圈 Washer	2	2
06		绕线器木螺钉 Screw	4	4
07	PF555099	防振垫块 Vibration preventing rubber	2	2
08	PF555098	防振垫块 Vibration preventing rubber	2	2
09	PF61501105	小油壶 Oiler	1	1
10	PF55501017	螺钉起子 (中) Screw driver (middle)	1	1
11	PF55501018	螺钉起子 (小) Screw driver (small)	1	1
12	PF20521210	穿线器组件 Tread a needle kit	1	1
13	PF55501022	油箱 Oil can	1	1
14-1	BF7003M17	线架组件(4420) Thread stand	0	1
14-2	PF55501127	线架组件(4400) Thread stand	1	0
15	PF61501001	绕线器组件 Bobbin winder	1	1
16	PF555097	小磁块 Magnet block for reservoir	1	1
17	PF5550101	机壳铰链组件 Hinge complete	2	2
18	PF68425Z104	螺钉起子 (大) Screw driver (large)	1	1
19		碰块小组件 Small parts	1	1
20	PF20521227	膝控提升顶杆组件 Knee lifer pin	1	1
21	PF20521229	膝控铰链轴 Knee lifer shaft	1	1

零件编号 (number)	零件品号 (Product number)	零件名称 (Product name)	4400 用量 (Number of 4400 used)	4420 用量 (Number of 4420 used)
22	PF6150907	膝控复位弹簧 Spring	1	1
23		碰块弯杆接头螺钉 Bolt	1	1
24		调节螺母 Nut	2	2
25		膝控限位调节螺钉 Screw	2	2
26	PF20521234	膝控提升杠杆曲柄 Knee lifer crank	1	1
27	SCJ1038	E型挡圈 9E-type stop ring	1	1
28	PF20521224	放油螺钉垫圈 Washer	1	1
29	PF6150902	放油螺钉 Screw	1	1
30	PF20521222	油盘 Oil reservoir	1	1
31	PF5550102001	机罩 Machine cover	1	1
32	PF44201032	皮带罩大组件 Belt cover complete	1	1
33	PF5550102403	三角皮带 Belt	1	1

1. 机壳部件 Casting mechanism



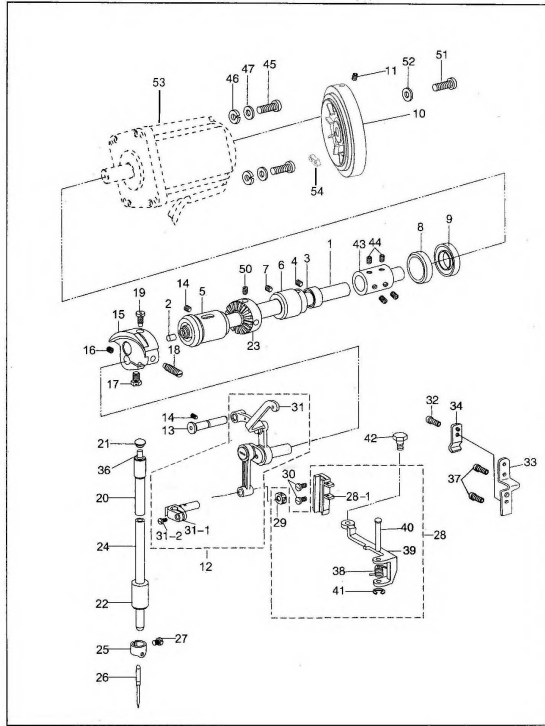
- 1 -

零件编号 (number)	零件品号 (Product number)	零件名称 (Product name)
01	PF0303D0101L	面板 Face plate
02	PF0302111	面板螺钉 Screw
03	PF03030103	面板线勾 Thread guide
04	PF03030104	线勾 Thread guide
05	PF6150106	线勾螺钉 Screw
06	PF03030106Q	小夹线组件 Thread guide assy.
06-1	PF03030106Q01	小夹线过线板 Thread guide
06-2	PF03030106Q02	小夹线螺钉 Pre-tension stud
06-3	PF03030106Q03	小夹线组板 Tension disc
06-4	PF03030106Q04	小夹线弹簧 Tension spring
06-5	PF03030106Q05	小夹线螺母 Adjusting screw
07	PF68425H33	小夹线器固定螺钉 Set screw
08	PF0302157	下线勾 Thread guide
09	PF03030109Q	夹线组件 Thread tension bracket assY
09-1	PF03030109Q01	夹线螺钉 Tension stud
09-2	PF03030109Q02	夹线螺母 Tension nut
09-3	PF03030109Q03	夹线弹簧 Tension sorina
09-4	PF03030109Q04	松线板 Disc presser
09-5	PF03030109Q05	夹线板 Disc, tension
09-6	PF03030109Q06	挑线簧 Thread take-up spring
09-7	PF03030109Q07	夹线调节座 Thread tension bracket
09-8	PF03030109Q08	夹线调节座螺钉 Set screw

零件编号 (number)	零件品号 (Product number)	零件名称 (Product name)
09-10	PF03030109Q10	夹线螺母止动板Stopper
09-11	PF03030109Q11	O型圈O ring
10	PF6150132	夹线调节座固定螺钉Set screw
11	PF03030111	挑线杆防护罩 Cover
12	PF6150211	挑线杆防护罩螺钉 Screw
13	PF0302113	三眼线勾 Thread retainer
14	PF6150114	三眼线勾螺钉 Screw
15	PF6150131	松线钉Tension release pin
16	PF6150712	松线棒Tension release stud
17	PF6150104	橡皮塞Rubber plug
18	PF03030118	夹具座Ruler plate
19	PF5550117	夹具座螺钉Screw
20	PF6150142	底板撑杆 Bed leg
21	PF03030121	底板撑杆弹簧垫片 Washer, spring
22	033202010	机壳 Arm
23	034204015	底板 Bed
24	PF0302CX143	推板组件 Slide plate assy.
24-1	PF0302CX14301	推板 Slide plate
24-2	PF0302CX14302	推板簧push the spring
24-3	PF0302CX14303	推板簧螺钉Screw
25	PF0302141	针板 Needle plate
27	PF03030127	绕线器组件winding device assembly
28	PD-0128	绕线器组件固定螺钉Screw
29	PF90000132	切刀 sutting knife
30	PF555068	切刀螺钉 Screw
31	PF03030131Q	绕线器小夹线器组件Thread guide assy.
32	PF555029	小夹线器固定螺钉 Screw
33	PF03030137	绕线器橡胶垫 Washer
34	PF0303025501	电控箱OPERATION PANEL
35	PF0303025501	电控箱OPERATION PANEL
26	PF6150138	针板螺钉 Screw

Needle bar and thread take-up mechanism

2. 针杆、挑线部件 Needle bar and thread take-up mechanism



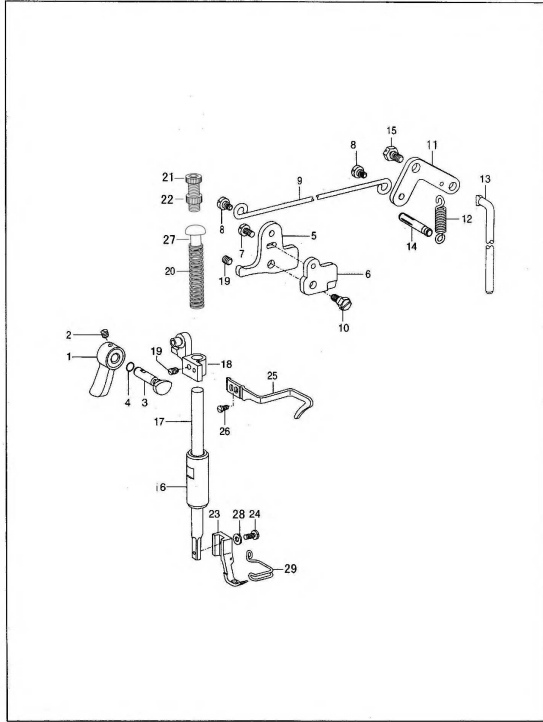
- 2 -

零件编号 (number)	零件品号 (Product number)	零件名称 (Product name)	0303E 用量 (Number of 0303E used)
01	PF03030201	上轴 Upper shaft	1
02	PF030222	上轴橡皮塞Robber cap	1
03	PF6150512	上轴紧圈 Collar	1
04	PF615034	上轴紧圈螺钉Screw	2
05	PF03030205	上轴前轴套Bush, L	1
06	PF6150307	上轴中轴套Bush, M	1
07	PF555029	上轴中轴套螺钉Set screw	1
08	PF0303020801	上轴后轴承Bush, R	1
09	PF03030209	上轴后油封组件Oil sea!	1
10	PF03030210	主动轮Hand wheel	1
11	PF68425E39	主动轮螺钉Screw	2
12	PF03030212	挑线杆组件Thread take-up lever set	1
13	PF0302226	挑线连杆铰链轴Support shaft	1
14	PF555022	挑线连杆铰链轴螺钉Set screw	2
15	PF0302227	针杆曲柄 Thread take-up crank	1
16	PF5550625	挑线曲柄螺钉 Screw	1
17	PF0302228	挑线曲柄定位螺钉 Screw	1
18	PF5550218	针杆曲柄螺钉 Screw	1
19	PF6150215	针杆曲柄定位螺钉 Screw	1
20	PF03030220	针杆上轴套Bush, U	1
21	PF6150135	针杆上轴套橡皮塞 (8.8) Rubber cap	1
22	PF0302235	针杆下轴套Bush, D	1

零件编号 (number)	零件品号 (Product number)	零件名称 (Product name)	0303E 用量 (Number of 0303E used)
23	PF03030223	绕线器摩擦轮 Screw	1
24	PF0302237	针杆 Needle bar	1
25	PF0302238	针杆过线环 Thread guide	1
26	PFDTDP1723	机针 Needle	1
27	PF6150225	夹针螺钉 Set screw	1
28	PF0303ZJ002	滑块槽组件 Guide set	2
28-1	PF0303ZJ00201	滑块槽 Guide	1
29	PF0303ZJ00202	针杆接头滑块 Slide block	1
30	PF6150227	滑块导轨螺钉 Screw	2
31	PF0303021201	针杆接头组件 Needle bar clamp assy.	1
31-1	PF0303021202	针杆接头 Needle bar clamp	1
31-2	PF0303021203	针杆接头螺钉 Set screw	1
32	PF0303233	软线固定板螺钉 Screw	1
33	PF0303ZJ001	松线钢绳固定架 Wire holder, U	1
34	PF0303234	松线压板 Wire holder, D	1
36	PF6150218	针杆上轴套毛毡 Felt	1
37	PF03030237	松线钢绳固定架螺钉 Screw	2
38	PF0303ZJ00203	铰链弹簧 Spring	1
39	PF0303ZJ00204	松线铰链 Tension release plate	1
40	PF0303ZJ00205	铰链销 Tension release pin	1
41	PF0303ZJ00206	开口挡圈 Retaining ring	1
42	PF03030242	铰链螺钉 Screw	1
43	PF03030243	联轴器 Connect block	1
44	BF310164547	联轴器螺钉 Screw	4
45	SCJ2010	电机安装螺钉 Screw GB/T6	4
46	SCJ3003	弹簧垫片 Washer GB/T8	4
47	SCJ3029	平垫片 Washer GB/T9	4
49	PF20520107	地线螺钉 Screw	1
50	PF68425H33	摩擦轮螺钉 Screw	2
51	PF03030251	磁钢螺钉 Screw	1
52	PF03030252	垫片 Washer	1
53	PF0303253	电机 MOTOR	1
54	PF03030254	磁钢 Magnet steel	1

Prosser foot mechanism

3. 压脚部件 Presser foot mechanism



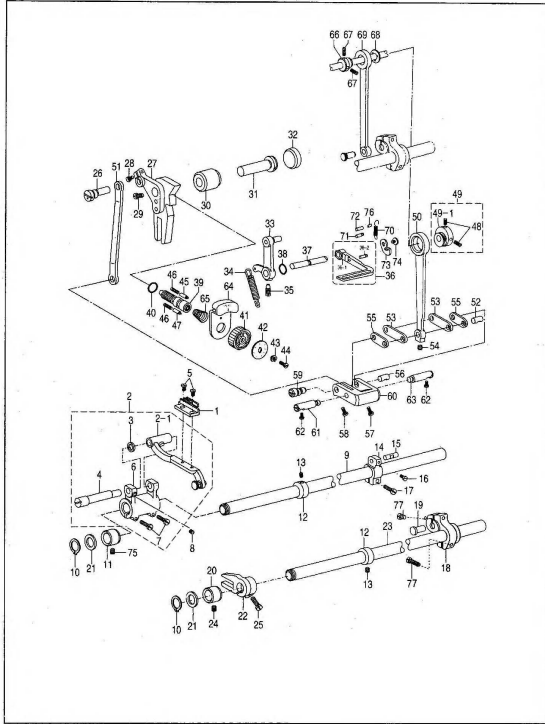
- 3 -

零件编号 (number)	零件品号 (Product number)	零件名称 (Product name)	0303E 用量 (Number of 0303E used)
01	PF030251	压脚扳手 Presser bar lifter	1
02	PF6150708	压脚扳手螺钉Screw	1
03	PF030253	压紧杆提升凸轮Lifter crank	1
04	PF5550416	压紧杆提升凸轮油封Oring	1
05	PF6150706	膝控提升杠杆 (左) Lifter lever	1
06	PF03030306	松线凸轮 Guide plate	1
07	PF6150708	膝控提升杠杆 (左) 螺钉Screw	1
08	PF6150709	铰链螺钉 Screw	2
09	PF6150710	膝控提升杠杆 Collecting rod	1
10	PF6150711	松线凸轮螺钉 Screw	1
11	PF6150713	膝控提升杠杆 (右) Lever	1
12	PF6150714	膝控提升杠杆 (右) 弹簧Spring, extension	1
13	PF0302515	膝控提升连杆 Knee lifter bar	1
14	PF6150716	弹簧销Spring hook	1
15	PF61507141	膝控提升杠杆 (右) 螺钉Shoulder screw	1
16	PF6150717	压紧杆轴套Bush	1
17	PF03030317	压紧杆Presserbar	1
18	PF0302520	压紧杆导架Guide bracket	1
19	PF5550330	压紧杆导架螺钉Screw	2
20	PF03030320	压紧杆弹簧Spring, compression	1
21	PF03030321	调压螺钉 Adjusting screw, presser	1
22	PF03030322	调压螺钉锁紧螺母 Adjusting nut, presser	1

零件编号 (number)	零件品号 (Product number)	零件名称 (Product name)	0303E 用量 (Number of 0303E used)
23	PF03030323	小压脚Presser foot, inside	1
24	PF6150725	小压脚螺钉Screw	1
25	PF03030325	大线勾Thread guide	1
26	PF555049	大线勾螺钉Screw	1
27	PF03030327	辅助调压弹簧 Adjusting spring	1
28	PF03030328	辅助调压螺钉 Adjusting screw	1
29	PF03030329	防护勾Safety finger	1

Feed mechanism

4. 送料部件 Feed mechanism



- 4 -

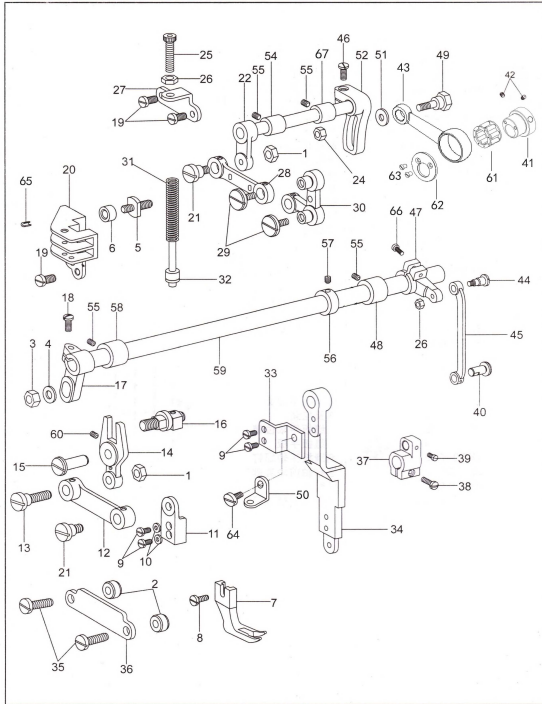
零件编号 (number)	零件品号 (Product number)	零件名称 (Product name)	0303E 用量 (Number of 0303E used)
01	PF030231	送布牙Feed dog	1
02	PF0303042201	牙架小组件Feed bar	1
02-1	PF030304220101	牙架 Feed bar	1
03	PF030304220102	牙架垫圈 Washer	1
04	PF030304220103	牙架曲柄偏心轴Shaft	1
05	PF5550635	送布牙螺钉Screw	2
06	PF030304220104	牙架曲柄 Feed rock arm	1
07	PF030304220105	牙架曲柄螺钉 Screw	2
08	PF6150227	牙架曲柄偏心轴螺钉Screw	1
09	PF03030409	送布轴Feed shaft	1
10	SCJ1036	轴用弹性挡圈 Retaining ring	2
11	PF03030411	送布轴前轴套 Bush, L	1
12	PF6150512	抬牙、送布轴紧圈 Collar	2
13	PF615034	紧圈螺钉 Set screw	4
14	PF030244701	送布轴曲柄 (右) Feed rocker arm	1
15	PF6150515	曲柄连杆短销 Stud	1
16	PF6150516	曲柄连杆短销螺钉 Set screw	1
17	PF6150607	送布轴曲柄 (右) 螺钉Screw	1
18	PF03030418	抬牙后曲柄Feed lifting arm	1
19	PF6150518	抬牙轴曲柄铰链轴 Pin	1
20	PF0303420	抬牙轴前轴套 Bush, L	1
21	PF6150629	抬牙、送布轴前轴套垫圈Washer	2

零件编号 (number)	零件品号 (Product number)	零件名称 (Product name)	0303E 用量 (Number of 0303E used)
22	PF0302342	抬牙叉Feed lifting arm	1
23	PF03030423	抬牙轴 Shaft	1
24	PF555022	抬牙轴前轴套螺钉 Screw	1
25	PF6150607	抬牙叉夹紧螺钉Screw	1
26	PF6150601	针距调节连杆销Connecting stud	1
27	PF030242	针距座Feed regulator	1
28	PF6150107	针距座长螺钉 Screw, L	1
29	PF6150610	针距座短螺钉 Screw, S	1
30	PF03030430	针距座衬套Bush	1
31	PF03030431	针距座轴 Shaft	1
32	PF03030432	橡皮塞 (15.7) Rubber cap	1
33	PF030249	倒缝操纵杆曲柄组件Pin assy. Lever	1
34	PF03030434	倒缝操纵杆曲柄弹簧Spring, extension	1
35	PF6150619A	操纵杆曲柄螺钉Screw	1
36	PF03030436	倒缝扳手组件 Reverse stitching lever assy	1
36-1	PF0303043601	倒缝扳手 Reverse stitching lever	1
36-2	PF99904251	倒缝扳手销Spring hook pin	1
37	PF03030437	倒缝扳手轴Shaft	1
38	PF6150624	倒缝扳手轴O型圈Oring	1
39	PF6150628	针距调节螺杆 Adjusting screw	1
40	PF6150629	O型橡胶圈Oring	1
41	PF0302421	针距盘 Stitch length dial	1
42	PF0302422	针距标盘 Stitch length plate	1
43	PF6150642	标盘螺钉衬套 Support bush	1
44	PF6150633	针距盘螺钉Screw	1
45	PF0302425	止动销Positioning pin	1
46	PF6150635	止动销弹簧Spring	2
47	PF0302446	针距盘挡销Stopper pin	1
48	PF030244702	送布凸轮螺钉 Set screw	3
49	PF0302447	送布凸轮组件 Feed cam assembly	1
49-1	PF030244703	送布凸轮 Feed cam	1
50	PF030244704	送布连杆 Feed connecting rod	1
51	PF0302430	针距调节连杆 Connecting rod	1
52	PF030244705	曲柄连杆长销 Stud	1
53	PF030244706	曲柄长连杆Link	2
54	PF030244707	送布连杆螺钉 Set screw	1
55	PF030244708	曲柄短连杆Link	2
56	PF030244709	曲柄连杆短销 Shaft	1
57	PF030244710	短连杆销螺钉 Screw	1
58	PF030244711	连杆偏心轴螺钉Screw	1
59	PF030244712	连杆偏心轴 Shaft	1
60	PF030244713	针距调节曲柄 Feed regulator crank	1
61	PF03030461	针距调节曲柄定位销 (左) Pin shaft, L	1

零件编号 (number)	零件品号 (Product number)	零件名称 (Product name)	0303E 用量 (Number of 0303E used)
62	PF6150607	左、右定位销螺钉Screw	2
63	PF6150608	针距调节曲柄定位销 (右) Pin shaft, R	1
64	PF0303046401	针距按键 Stopper	1
65	PF0302445	针距按键簧Spring	1
66	PF030244714	抬牙凸轮 Eccentric wheel	1
67	PF030244715	抬牙凸轮螺钉 Screw	2
68	PF030244716	凸轮隔离片Holder	1
69	PF030244717	抬牙连杆 Feed lifting rod	1
70	PF03030470	倒缝扳手拉簧 Spring	1
71	PF03030471	弹簧挂销 Spring hook	1
72		倒缝扳手限位销Pin	1
73	PF03030473	倒缝扳手板Plate	1
74	PF03030474	倒缝扳手轴螺钉Screw	1
75	PF55506261	送布轴前轴套螺钉 Screw	1
76	PF99904251	销套 Pin shaft	1
77	PF03030477	抬牙右曲柄螺钉Screw	2

Upper feed mechanism

5. 上送料部件 Upper feed mechanism



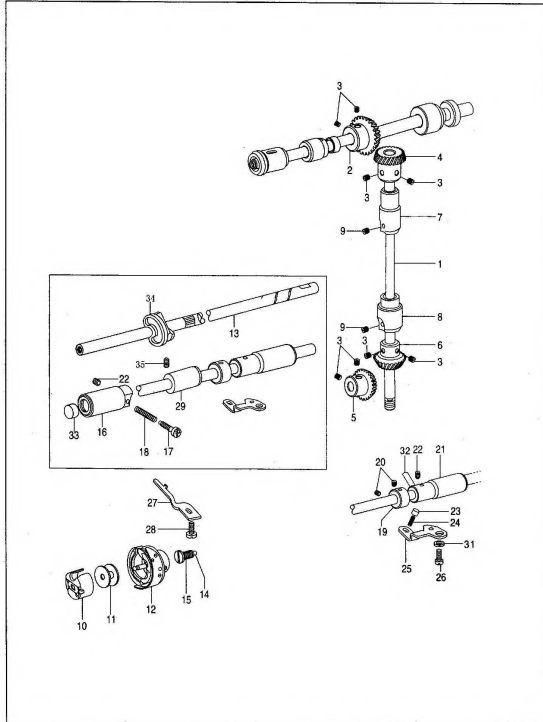
- 5 -

零件编号 (number)	零件品号 (Product number)	零件名称 (Product name)	0303E 用量 (Number of 0303E used)
01	PF030261	压脚送料变动连接螺母 Nut	2
02	PF030262	压脚连杆压板垫块 Collar	2
03	PF030261	压脚曲柄连接螺母 Nut	1
04	PF030264	压脚曲柄连接垫圈 Washer	1
05	PF030265	送料曲柄导柱轴 Roller shaft	1
06	PF030266	提升压脚导柱轴滚柱 Roller	1
07	PF030267	摆压脚 Walking foot	1
08	PF6150725	压脚螺钉 Screw	1
09	PF030305300101	摆动连杆座螺钉 Screw	4
10	PF030305300102	摆动连杆座螺钉弹簧垫圈 Washer	1
11	PF030305300103	摆压脚杆座 Clamper	1
12	PF030305300104	摆压脚连杆 Link	1
13	PF0302613	压脚送料变动连接螺钉 Shoulder screw	1
14	PF0302614	摆压脚叉形杆 Lever	1
15	PF0302615	摆压脚叉形杆销 Shaft	1
16	PF0302616	压脚送料变动曲柄轴组件 Roller shaft assy.	1
17	PF03030517	压脚摆动前曲柄 Crank	1
18	PF03030518	前曲柄螺钉 Screw	2
19	PF555056	提升压脚导位板螺钉 Screw	4
20	PF0302620	提升压脚导位板 Lever guide	1
21	PF0302621	压脚送料曲柄连杆螺钉 Screw	2
22	PF0302653	压脚升降轴 Feed lifting shaft	1

零件编号 (number)	零件品号 (Product number)	零件名称 (Product name)	0303E 用量 (Number of 0303E used)
24	PF030264101	六角螺母 Nut	1
25	PF0302625	摆压脚调压螺钉Screw	1
26	PF0302626	摆压脚调压螺母Nut	2
27	PF0302627	摆压脚调压螺钉架 Bracket	1
28	PF030305300105	压脚送料曲柄连杆 Link	1
29	PF030305300106	压脚送料曲柄螺钉Screw	2
30	PF030305300107	压脚送料曲柄 Feed lever	1
31	PF030305300108	摆压脚调压杆弹簧 Spring, compression	1
32	PF03030532	调压杆弹簧导柱Guide shaft	1
33	PF03030533	提升压脚导柱定位板Holder plate	1
34	PF030305300109	摆压脚杆 Connecting rod	1
35	PF555022	提升压脚连接压板螺钉 Screw	2
36	PF0302636	提升压脚连接压板 Rod guide	1
37	PF0302637	送布轴曲柄 (中) Feed rocker arm	1
38	PF6150607	送布轴曲柄 (中) 螺钉 Screw	1
39	PF5550633	大连杆曲柄连接销钉Set screw	1
40	PF0302640	大连杆曲柄连接销 Stud	1
41	PF030264102	压脚升降偏心轴Eccentric wheel	1
42	PF90008103	螺钉 Screw	2
43	PF030264103	连杆组件 Connecting rod	1
44	PF0302644	压脚摆动后曲柄连杆螺钉Shoulder screw	1
45	PF0302645	摆压脚大连杆 Connecting rod	1
46	PF0302646	偏心连杆调节曲柄螺钉 Shoulder screw	1
47	PF03030547	压脚摆动后曲柄 Feed lifting arm crank, R	1
48	PF03030548	压脚摆动轴中轴套 Bush, M	1
49	PF030264104	偏心轮连杆螺钉Screw	1
50	PF03030564	提升压脚导柱架Bracket	1
51	PF030264105	垫圈 Washer	1
52	PF030264106	偏心连杆调节曲柄 Feed arm	1
54	PF03030554	摆压脚提升轴后套 Bush	1
55	PF555029	摆动升降轴套支头螺钉Screw	4
56	PF6150512	压脚摆动轴紧圈Collar	1
57	PF55506261	压脚摆动轴紧圈螺钉Screw	2
58	PF03030558	压脚摆动轴前轴套 Bush, L	1
59	PF03030559	压脚摆动轴Upper feed shaft	1
60	PF555029	摆压脚叉形杆销螺钉Screw	1
61	PF030264107	滚针轴承 Roller bearings	1
62	PF030264108	垫圈 carrier ring	1
63	PF030264109	螺钉 Screw	2
64	PF03030565	导柱架螺钉Screw	1
65	SCJ4001	弹性圆锥销Pin	2
66	PF03030567	后曲柄螺钉Screw	1
67	PF03030568	摆压脚提升轴前套 Bush	1

Hook mechanism

6. 旋梭部件 Hook mechanism



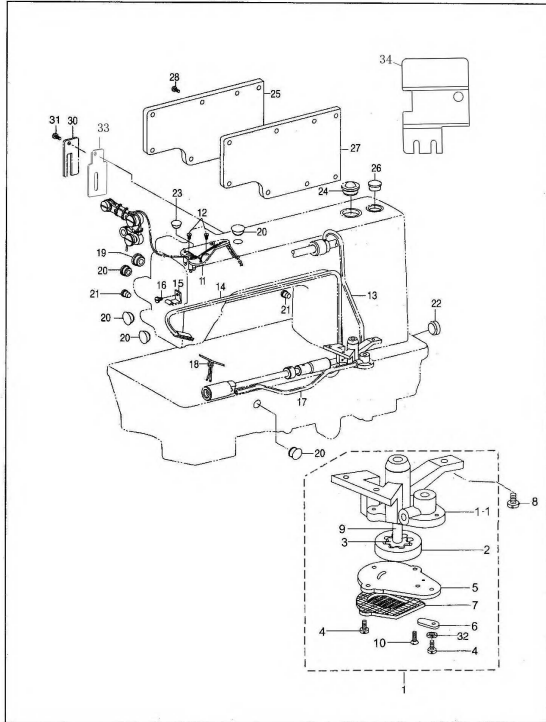
- 6 -

零件编号 (number)	零件品号 (Product number)	零件名称 (Product name)
01	PF0302216	竖轴 Vertical shaft
02	PF615031902	上轴伞齿轮 Bevel gear, upper shaft
03	PF61503190201	伞齿轮螺钉 Set screw
04	PF615032002	竖轴伞齿轮 (上) Bevel gear, vertical shaft, U
05	PF615032202	下轴伞齿轮 Bevel gear, lower shaft
06	PF615032302	竖轴伞齿轮 (下) Bevel gear, vertical shaft, L
07	PF5550522	竖轴上轴套 Bush, vertical shaft, U
08	PF5550521	竖轴下轴套 Bush, vertical shaft, L
09	PF555029	竖轴轴套螺钉 Screw
10	PF03030610	梭芯套组件 Bobbin case
11	PF0302319	梭芯 Bobbin
12	PF03030612	旋梭组件 Hook assy.
13	PF0302322	下轴 Lower shaft
14	PF55505901	下轴滤油塞 Filter
15	PF6150402	下轴滤油塞螺钉 Screw
16	PF03030616	下轴前轴套 Bush, lower shaft, L
17	PF6150408	油量调节螺钉 Adjusting screw, oil
18	PF5550821	油量调节弹簧 Adjusting spring
19	PF6150404	下轴紧圈 Collar
20	PF55506261	下轴紧圈螺钉 Screw
21	PF6150410	下轴轴套 (右) Bush, lower shaft, R
22	PF555029	下轴轴套螺钉 Screw

零件编号 (number)	零件品号 (Product number)	零件名称 (Product name)
23	PF6150412	柱塞 Plunger
24	PF6150413	柱塞弹簧 Spring
25	PF6150414	挡板 Holder plate
26	PF6150610	挡板螺钉 Screw
27	PF0302344	旋梭定位勾B/case holder position bracket
28	PF555056	旋梭定位勾螺钉Screw
29	PF03030629	下轴中轴套Bush, lower shaft, M
31	PF6150414	挡板螺钉弹簧垫圈 Washer
32	PF6150411	下轴轴套油管 Oil tube
33	PF9990707	下轴油封 Oil seal
34	PF03030634	切线凸轮 Thred shear cam
35	PF90008103	切线凸轮螺钉 Screw

Lubrication mechanism

7. 供应润滑部件 Lubrication mechanism



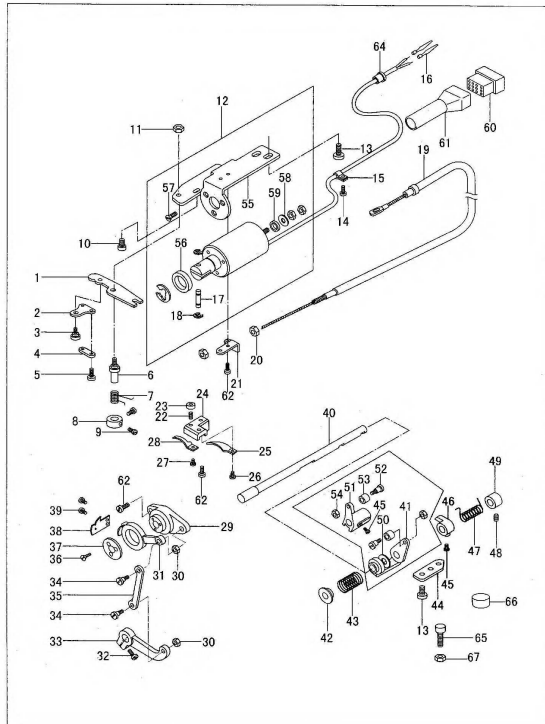
- 7 -

零件编号 (number)	零件品号 (Product number)	零件名称 (Product name)	0303E 用量 (Number of 0303E used)
01	PF030271	油泵组件Oil pump asm	1
01-1	PF03027101	油泵体Pump body	1
02	PF03027102	油泵大齿轮Big gear, pump	1
03	PF03027103	油泵小齿轮Small gear, pump	1
04	PF03027104	油泵调节板螺钉Screw	3
05	PF03027105	油泵体盖板Cover	1
06	PF03027106	油泵调节板 Throat plate	1
07	PF03027107	油泵滤网组件 Filter set	1
08	PF6150809	油泵体螺钉Screw	2
09	PF03027108	油泵体短轴Shaft	1
10	PF03027109	油泵体盖板螺钉Screw	2
11	PF03030711	油线固定板大组件 Setting plate	1
12	PF6150812	油线固定板螺钉Screw	2
13	PF6150813	上轴油管组件 Oil tube, U	1
14	PF6150815	回油管组件Tube assy.	1
15	PF6150816	回油管夹 Tube clip	1
16	PF5550230	螺钉Screw	1
17	PF03030717	下轴油管组件 Oil tube	1
18	PF6150526	油线 Oil wick	1
19	PF6150103	橡皮塞Rubber cap	1
20	PF6150104	橡皮塞Rubber cap	5
21	PF6150135	橡皮塞Rubber cap	2

零件编号 (number)	零件品号 (Product number)	零件名称 (Product name)	0303E 用量 (Number of 0303E used)
22	PF6150136	橡皮塞Rubber cap	1
23	PF6150146	橡皮塞Rubber cap	1
24	PF6150112	油窗组件 Oil gauge window	1
25	PF030214902	后盖板Back cover	1
26	PF03030726	橡皮塞Rubber cap	1
27	PF030215001	后盖板密封垫片Washer	1
28	PF555016	后盖板螺钉Screw	8
30	PF03030730	小挡油板 Oil pan	1
31	PF555016	小挡油板螺钉 Screw	1
32	PF03027110	弹簧垫圈 Washer	1
33	PF03030733	小档油橡胶Washer	1
34	PF03030734	挡油板Oil pan	1

Thread trimming mechanism

8. 剪线部件 Thread trimming mechanism



- 8 -

零件编号 (number)	零件品号 (Product number)	零件名称 (Product name)	0303E 用量 (Number of 0303E used)
01	PF0303ZJ01101	驱动板 Driven plate	1
02	PF0303ZJ01102	软线支撑板 Wire support	1
03	PF0303ZJ01103	软线支撑板螺钉 Screw	1
04	PF0303ZJ01104	软线连板 Link	1
05	PF0303ZJ01105	软线连板螺钉 Screw	1
06	PF0303ZJ01106	驱动板轴 Screw pin, driven plate	1
07	PF0303ZJ01107	驱动板弹簧 Spring	1
08	PF0303ZJ01108	驱动板轴紧圈 Collar	1
09	PF0303ZJ01109	驱动板轴紧圈螺钉 Screw	2
10	PF03030810	安装架连接螺钉 Screw	1
11	PF0303ZJ01110	驱动轴螺母 Nut	1
12	PF0303ZJ01111	剪线电磁铁转动组件 Thread trimmer solenoid assy	1
13	PF0303ZJ01112	安装架固定螺钉 Screw	4
14	PF1790S0255	线夹螺钉 Screw	1
15	PF99901160	线夹 Wire holder	1
16	PF0303ZJ01113	插头接头 Terminal pin	2
17	PF0303ZJ01114	剪线电磁铁销 Pin	1
18	PF0303ZJ01115	挡圈 Retaining ring	2
19	PF03030819	松线钢绳组件 Tension release wire	1
20	PF03030820	软线螺母 Nut	2
21	PF0303ZJ01116	软线座 Tension release lever	1
22	PF03030822	定刀座螺钉 Screw	1

零件编号 (number)	零件品号 (Product number)	零件名称 (Product name)	0303E 用量 (Number of 0303E used)
23	PF03030823	定刀座螺母Nut	1
24	PF0303ZJ004	定刀座Holder, F-knife	1
25	PF03030825	栏线板Lower thread finger	1
26	PF03030826	栏线板螺钉Screw	1
27	PF03030827	定刀片螺钉Screw	1
28	PF03030828	定刀片Fixed knife	1
29	PF0303ZJ00501	刀架 Holder, M-knife	1
30	PF0303ZJ00502	刀轴连杆螺母 Nut	2
31	PF0303ZJ00503	刀架 (左) Holder, M-knife, L	1
32	BF700S039	驱动曲柄螺钉 Screw	1
33	PF0303ZJ00504	剪线电磁铁驱动曲柄Driven crank	1
34	PF0303ZJ00505	刀架连杆螺钉 Screw	2
35	PF0303ZJ00506	刀架连杆 Link	1
36	PF0303ZJ00507	刀架螺钉 Screw	3
37	PF0303ZJ00508	刀架垫圈 Washer	1
38	PF03030838	动刀片Movable knife	1
39	PF03030839	动刀片紧固螺钉Screw	1
40	PF03030840	凸轮曲柄轴Thread trimmer cam lever shaft	1
41	PF0303ZJ007	切线凸轮右曲柄Thread trimmer cam lever, R	1
42	PF03030842	扭簧端盖 Collar	1
43	PF03030843	扭簧 Spring	1
44	PF03030844	止动板Stopper plate	1
45	PF68425E39	限位块螺钉Screw	3
46	PF03030846	限位块 Positioning block	1
47	PF03030847	凸轮轴扭簧Spring	1
48	PF7810255	紧圈螺钉 Screw	2
49	PF03030849	凸轮轴紧圈Collar	1
50	PF03030850	塑料圈Plastic ring	1
51	PF0303ZJ00601	切线凸轮左曲柄Thread trimmer cam lever, L	1
52	PF0303ZJ00602	滚轮螺钉 Screw	2
53	PF0303ZJ00603	滚轮 Roller	2
54	PF0303ZJ00604	滚轮螺母 Nut	2
55	PF0303ZJ01117	剪线电磁铁安装架 Thread trimmer solenoid base	1
56	PF0303ZJ01118	密封垫圈 (大) Seal washer, big	1
57	PF0303ZJ01119	剪线电磁铁紧固螺钉Screw	3
58	PF0303ZJ01120	平垫片Washer	1
59	PF0303ZJ01121	密封垫圈 (小) Seal washer, small	1
60	PF90000191	插头套Connector	1
61	PF90000192	线罩 Cover	1
62	PF6150227	螺钉 Screw	4
64	PF888056D131	剪线电磁铁电线保护套 Guard	1
65	PF03030865	止动螺钉 Screw	1
66	PF03030866	缓冲垫 Packing	1

零件编号
(number)

零件品号
(Product number)

零件名称
(Product name)

0303E 用量
(Number of 0303E used)

67

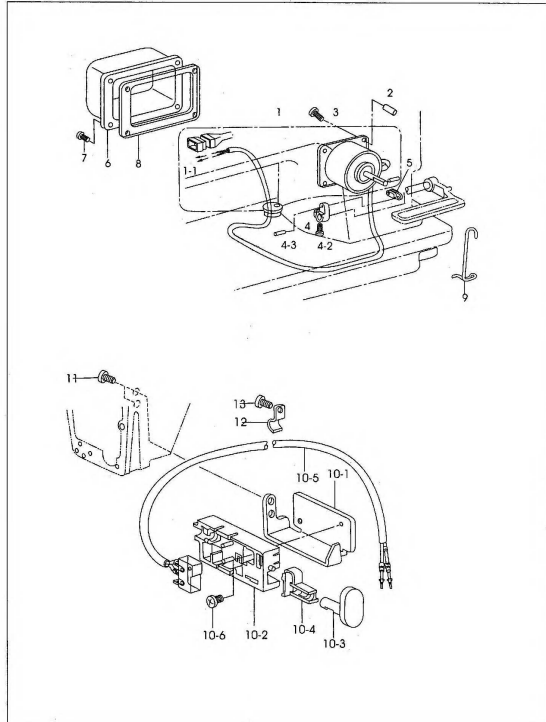
PF20520916

螺母 Nut

1

Reverse stitching mechanism

9. 倒缝部件 Reverse stitching mechanism

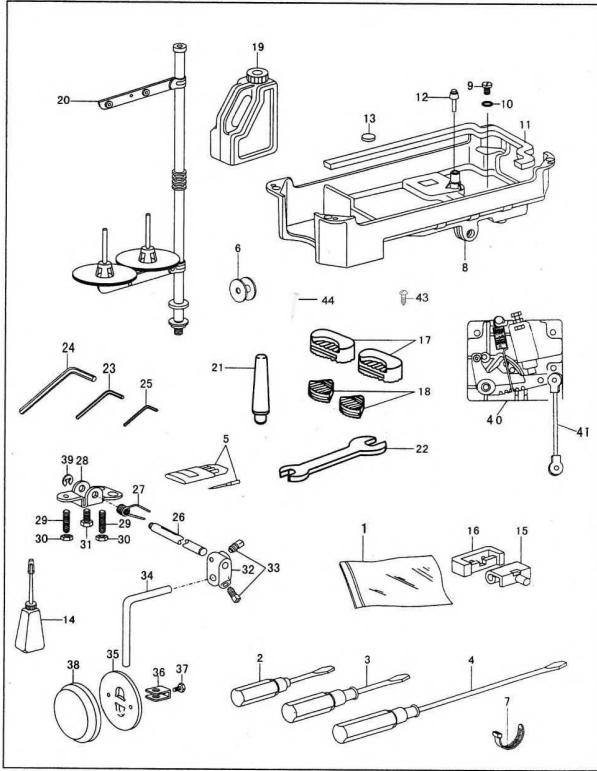


- 9 -

零件编号 (number)	零件品号 (Product number)	零件名称 (Product name)	0303E 用量 (Number of 0303E used)
01	PF0303ZJ012	倒缝电磁铁组件 Quick reverse solenoid assy	1
01-1	PF90000191	插头 Terminal pin	2
02	PF03030902	衬管 Space collar	4
03	PF03030903	衬管螺钉 Screw	4
04	PF0303ZJ009	倒缝电磁铁曲柄 Solenoid lever	1
04-2	PF90008120	曲柄螺钉 Screw	1
04-3	PF0303ZJ009	倒缝电磁铁曲柄连杆销 Pin	1
05	PF0303ZJ012	倒缝电磁铁罩 Solenoid cover	1
06	PF03030906	倒缝电磁铁罩 Solenoid cover	1
07	PF555016	倒缝电磁铁螺钉 Screw	4
08	PF03030908	倒缝电磁铁罩垫片 Washer	1
09	PF03030909	倒缝操纵曲柄弹簧钩 Cord holder	1
10-1	PF0303ZJ01301	倒缝电磁铁安全开关架 Support	1
10-2	PF0303ZJ01302	倒缝按键开关座 Base	1
10-3	PF0303ZJ01303	倒缝按键开关 Actuator	1
10-4	PF0303ZJ01304	倒缝电磁铁开关触件 Spring, R-switch	1
10-5	PF0303ZJ01305	倒缝开关组件 Reverse switch assy.	1
10-6	PF0303ZJ01306	倒缝按键开关座螺钉 Screw	1
11	PF5550230	开关安装架螺钉 Screw	2
12	BF7005M1021	线夹 Cord holder	3
13	PF5550230	线夹螺钉 Screw	3

Accessories

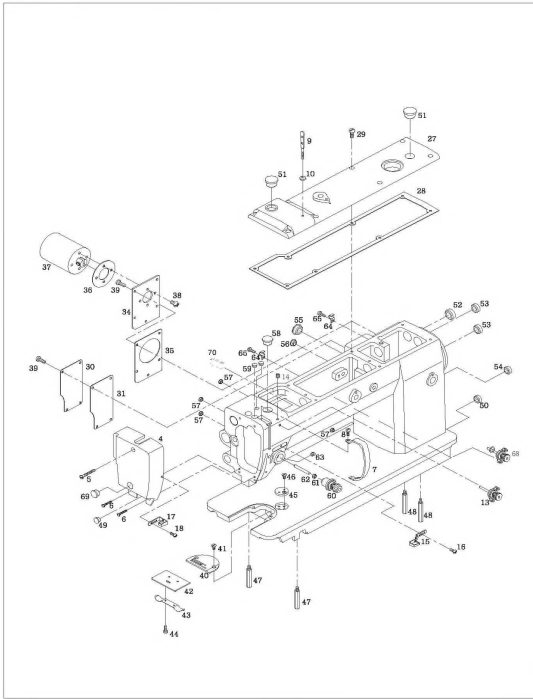
10. 0303E-TD3附件 Accessories



-10-

零件编号 (number)	零件品号 (Product number)	零件名称 (Product name)	0303E 用量 (Number of 0303E used)
01	PF5550102301	零件袋Accessory bag	1
02	PF55501018	一字开刀 (小) Screw driver, S	1
03	PF55501017	一字开刀 (中) Screw driver, M	1
04	PF55501016	一字开刀 (大) Screw driver, L	1
05	PFDTDP1723	机针 Needle	4
06	PF0302319	梭芯 Bobbin	3
07	SC.J5031	捆扎带Bobbin thread winder assy.	3
08	PF03031008	油盘 oil pan	1
09	PF6150902	放油螺钉 Washer	1
10	PF555096	放油螺钉垫圈 Belt guard assy.	1
11-1	PF030284	油盘垫(小)Screw	1
11-2	PF030285	油盘垫(大)Screw	1
12	PF5550911	膝控提升杠杆 Washer	1
13	PF03031013	磁块 Screw	1
14	PF61501105	油壶 Oil pot	1
15	PF5550101	机壳铰链 Head hinge	2
16	PF5550102	机壳铰链套Cushion, head hinge	2
17	PF555099	机头防震垫块 (大) Head cushion, L	2
18	PF555098	机头防震垫块 (小) Head cushion, S	2
19	PF55501022	油箱 Oil tank	1
20	PF55501127	线架组件 Thread stand assy.	1
21	PF55501021	机头撑杆 Head rest	1

零件编号 (number)	零件品号 (Product number)	零件名称 (Product name)	0303E 用量 (Number of 0303E used)
22	PF61501109	扳手 Wrench	1
23	PF03031023	2mm内六角扳手Wrench, 2mm	1
24	PF03031024	3mm内六角扳手Wrench, 3mm	1
25	PF03031025	2.5mm内六角扳手 V-belt	1
26	PF6150906	膝控铰链轴Lifter shaft	1
27	PF6150907	膝控复位弹簧 Spring	1
28	PF615090801	膝控限位架Bracket	1
29	PF615090802	膝控限位调节螺钉 Adjusting screw	2
30	PF615090803	调节螺母 Adjusting nut	2
31	PF615090804	膝控限位架螺钉Screw	1
32	PF555091901	碰块弯杆接头 Bracket	1
33	PF555091902	碰块弯杆接头螺钉 Screw	1
34	PF5550922	膝控碰块弯杆 Lifter bar	1
35	PF5550923	膝控碰块 Knee lifter plate	1
36	PF555092601	碰块架Stopper	1
37	PF555092602	碰块架螺钉Screw	1
38	PF5550924	操纵杆软垫 Lever cushion	1
39	PF5550918	开口挡圈 Retaining ring	1
40	12040004	控速器踏板The speed machine pedal	1
41	PF90001318	脚踏拉杆Pedal arms shifter lever	1
43	SCJ2036	木螺钉Screw	3
44	SCJ6018	铁钉 Nails	6



2

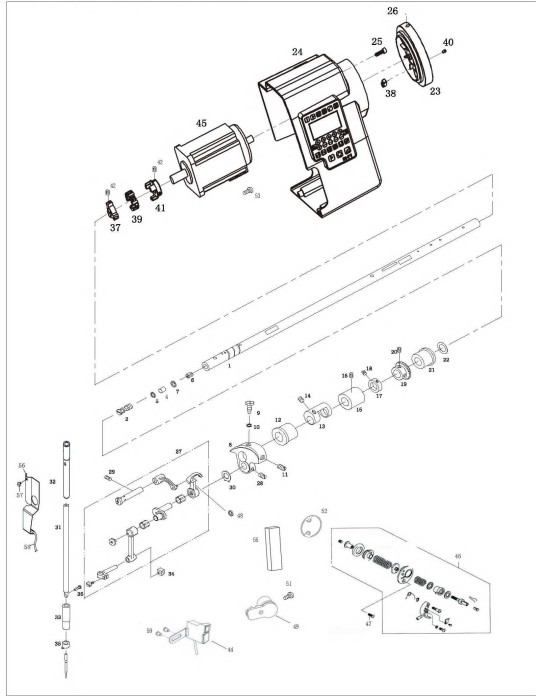
零件编号 (number)	零件品号 (Product number)	零件名称 (Product name)	640 用量 (Number of 640 used)
04	PFPC0104	面板Face Plate	1
05	PF03030903	面板上螺钉 Screw For Face Plate	1
06	PF0302111	面板下螺钉 Screw	2
07	PFPC0107	挑线杆防护罩 Thread Take Up Cover	1
08	PF6150107	挑线杆防护罩螺钉 Screw	1
09	PFPC0109	过线杆 Upper Thread Guide Pin Ass'y	1
10	PFPC0110	过线杆螺母 Nut For A-9	1
13	PF03030106	小夹线器组件 Sub Upper Thread Tension Ass'y Control	1
14	PF68425H33	小夹线器支头螺钉 Screw	1
15	PF03030104	机壳线勾 Arm Thread Guide	1
16	PF6150106	机壳线勾螺钉 Screw	1
17	PF03030103	面板线勾 Face Plate Thread Guide	1
18	PF6150106	面板线勾螺钉 Screw	1
27	PFPC0127	上盖 Top Cover	1
28	PFPC0128	上盖密封垫 Gasket For Top Cover	1
29	BF700S039	上盖螺钉 Screw	8
30	PFPC0130	后前盖板 Back Cover	1
31	PFPC0131	后前盖板密封垫 Gasket For BackCover	1
34	PFPC0134	电磁铁盖板 B/T Solenoid Bracket	1
35	PFPC0135	电磁铁盖板密封垫 Gasket for B/T Solenoid Bracket	1
36	PFPC0136	电磁铁连接垫板 Gasket for B/T Solenoid	1
37	PFPC0137	倒缝电磁铁组件 B/T Solenoid Ass'y	1
38	PF6150107	电磁铁连接螺钉 Screw	4

零件编号 (number)	零件品号 (Product number)	零件名称 (Product name)	640 用量 (Number of 640 used)
39	BF700S039	后盖板螺钉 Screw	9
40	PFPC0140	针板 Needle Plate	1
41	PF6150138	针板螺钉 Screw	2
42	PFPC0142	推板 Slide Plate	1
43	PFPC0143	推板簧 Slide Plate Spring	1
44	PFPC0144	推板簧螺钉 Screw	2
45	PFPC0145	夹边座 Gaure Plate	1
46	PF6150138	夹边座螺钉 Screw	1
47	PFPC0147	机头前支撑杆 Bed Base(Front)	2
48	PFPC0148	机头后支撑杆 Bed Base(Rear)	2
49	PFPC0149	面板下橡皮塞11.8 Face Plate Rubber Cap	1
50	PFPC0150	下轴后端橡皮塞24.6 Bed Rubber Cap	1
51	PFPC0151	上盖橡皮塞19 Top Cover Rubber Cap	2
52	PFPC0152	压脚摆动轴后橡皮塞29 Feed Regulator Shaft Rubber Cap	1
53	PFPC0153	倒缝架后孔橡皮塞23 Climb Device Adjusting Shaft Rubber Cap	2
54	PFPC0154	倒缝后支点橡皮塞20 Feed Adjusting Shaft Rubber Cap	1
55	PFPC0155	后大橡皮塞26 Arm Back Part Rubber Cap(Large)	1
56	PFPC0149	后小橡皮塞11.8 Arm Back Part Rubber Cap(Middle)	1
57	PFPC0157	机壳后左橡皮塞8.8 Arm Back Part Rubber Cap(Small)	4
58	PFPC0151	机壳上左大橡皮塞19 Arm Back Part Rubber Cap(Large)	1
59	PFPC0157	挑线杆销橡皮塞8.8 Arm Back Part Rubber Cap(Small)	1
60	PFPC0160	夹线器组件 Thread Tension Control Ass'y	1
61	PFPC0161	夹线器防油圈 Clamp Oil Ring	1
62	PFPC0162	松线钉 Tension Release Pin	1
63	PF5550330	夹线器紧固螺钉 Screw	1
64	PFPC0164	操作面板电线夹 Cable Holder	2
65	PF555016	操作面板电线夹螺钉 Screw	2
68	PFQ514102	绕线夹线器组件 Wrap Splitter Assembly	1
69	PFPC0169	面板橡皮塞15.6 Rubber Cap	2
70	PFPC0170	孔塞 Plug	1

B

Upper Shaft & Needle Bar Mechanism

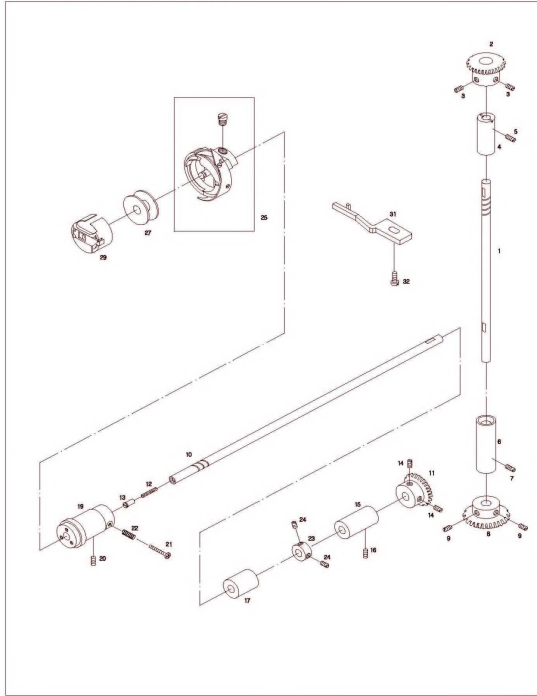
上轴和针杆部件



4

零件编号 (number)	零件品号 (Product number)	零件名称 (Product name)	640 用量 (Number of 640 used)
01	PFPC0201	上轴 Upper Shaft	1
02	PFPC0202	上轴油量调节销 Oil Adjusting Pin	1
04	PFPC0204	密封圈 Seal Rings	1
05	PFPC0205	O型圈 O-ring	2
06	PFPC0206	油量调节销滤油毡 Upper Shaft Felt	1
07	PFPC0205	O型圈 O-ring	1
08	PFPC0208	针杆曲柄 Link Cam	1
09	PFPC0209	针杆曲柄定位螺钉 Screw	1
10	PFPC0205	O型圈 O-ring	1
11	PF5550218	针杆曲柄紧固螺钉 Screw	1
12	PFPC0212	上轴前轴套 Upper Shaft Front Bushing	1
13	PFPC0213	上轴平衡块 Balance Cam	1
14	BF8004538	上轴平衡块螺钉 Screw	2
15	PFPC0215	上轴中轴套 Upper Shaft Middle Bushing	1
16	PF5550330	上轴中轴套支头螺钉 Screw	1
17	PFPC0217	上轴紧圈 Upper Shaft Collar	1
18	PF555047	上轴紧圈螺钉 Screw	2
19	PF555052605	上轴伞齿轮 Upper Shaft Gear Ass'y	1
20	PFPC0220	上轴齿轮螺钉 Screw	2
21	PFPC0221	上轴后轴套 Upper Shaft Gear Bushing	1
22	PFPC0222	上轴后轴套密封圈14.3*7*27 Oil Seal	1
23	PF0303011001L	上轮 Pulley	1
24	PFPC0224	电控 Electrical Control	1

零件编号 (number)	零件品号 (Product number)	零件名称 (Product name)	640 用量 (Number of 640 used)
25	PFPC0225	电控螺钉 Screw	2
26	PFPC0226	上轮支紧螺钉 Screw	1
27	PFPC0227	挑线杆组件 Thread Take-Up Lever Assembly	1
28	PF5550625	挑线曲柄定位螺钉 Screw	2
29	PF5550625	挑线杆销紧固螺钉 Screw	1
30	PF1310A35	挑线杆组件后定位片 Protection Plate	1
31	PFPC0231	针杆 Needle Bar	1
32	PFPC0232	针杆上轴套 Needle Bar Upper Bushing	1
33	PFPC0233	针杆下轴套 Needle Bar Lower Bushing	1
34	PFPC0234	针杆接头滑块 Needle Bar Thread Block	1
35	PF0302238	针杆过线环 Needle Bar Thread Guide	1
36	PF6150225	针杆过线环螺钉 Screw	1
37	PFPC0237	上轴联轴器 Upper Shaft Coupling	1
38	PF0303DP0254	磁钢 Magnetic Holder	1
39	PFPC0239	联轴器橡胶圈 Coupling Rubber Ring	1
40	PFPC0240	磁钢螺钉 Screw	1
41	PFPC0241	电机联轴器 Motor Coupling	1
42	PF90000216	螺钉 Screw	6
43	PFDTDP1723	机针 Needle	1
44	PFPC0244	照明灯组件 Light Assembly	1
45	PFPC0245	电机 Electric Machinery	1
46	PFPC0246	绕线器组件 Winder Componet	1
47	PF1900A0643	螺钉 Screw	1
48	PFPC0248	O型圈 O-ring	1
49	PFPC0249	电子夹线器 Electronic Splitter	1
50	PF555016	螺钉 Screw	2
51	PF5550330	螺钉 Screw	1
52	PFPC0252	绕线轮密封垫 Wrap Wheel Sealing Pad	1
53	PFPC0253	螺钉M5 Screw	3
55	PFPC0255	泡棉 Bubble Cotton	1
56	PFPC0256	防油板 Oil Shield Plate	1
57	PFPC0257	防油板螺钉 Screw	1
58	PF6150526	油线 The Oil Line	1



6

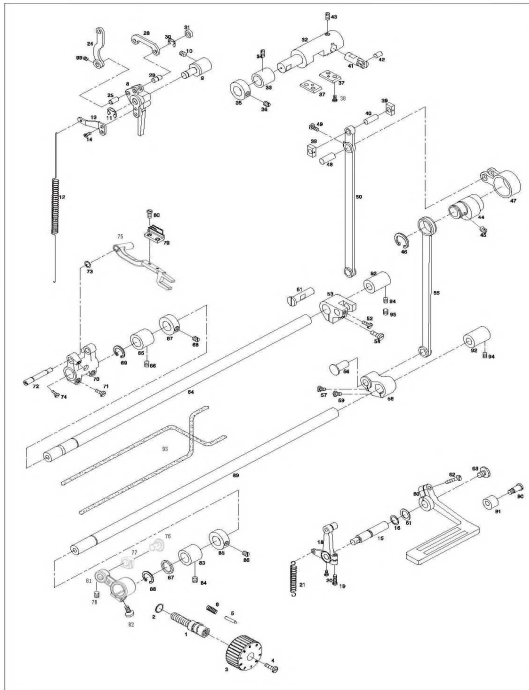
零件编号 (number)	零件品号 (Product number)	零件名称 (Product name)	640 用量 (Number of 640 used)
01	PFPC0301	竖轴 Upright Shaft	1
02	PF555052505	竖轴上齿轮 Uproght Shaft Upper Gear Ass'y	1
03	PFPC0303	竖轴上齿轮螺钉 Screw	2
04	PFPC0304	竖轴上轴套 Upright Shaft Upper Bushing	1
05	PF5550625	竖轴上轴套紧固螺钉 Screw	1
06	PFPC0306	竖轴下轴套 Upright Shaft Lower Bushing	1
07	PF5550625	竖轴下轴套紧固螺钉 Screw	1
08	PF555052005	竖轴下齿轮 Uproght Shaft Lower Gear Ass'y	1
09	PFPC0309	竖轴下齿轮螺钉 Screw	2
10	PFPC0310	下轴 Lower Shaft	1
11	PF555051805	下轴伞齿轮 Lower Shaft Gear Ass'y	1
12	PF55505901	下轴滤油塞 Lower Shaft Felt	1
13	PF6150402	下轴滤油塞螺钉 Screw	1
14	PFPC0314	下轴齿轮紧固螺钉 Screw	2
15	PFPC0315	下轴后轴套 Lower Shaft Rear Bushing	1
16	PF55506461	下轴后轴套紧固螺钉 Screw	1
17	PF03030629	下轴中轴套 Lower Shaft Middle Bushing	1
19	PFPC0319	下轴前轴套 Lower Shaft Front Bushing	1
20	PF5550330	下轴前轴套紧固螺钉 Screw	1
21	PFPC0321	下轴油量调节螺钉 Screw	1
22	PFPC0322	油量微调弹簧 Spring	1
23	PF6150404	下轴紧圈 Lower Shaft Coller	1
24	PF55506261	下轴紧圈螺钉 Screw	2

零件编号 (number)	零件品号 (Product number)	零件名称 (Product name)	640 用量 (Number of 640 used)
25	PFPC032502	旋梭组件 Rotary Hook Assembly	1
27	PFPC0327	梭心 Bobbin	1
29	PF03030610	梭心套组件 Bobbin Case Assembly	1
31	PF0302344	旋梭定位勾 Inner Bobbin Stopper	1
32	PF555056	旋梭定位勾螺钉 Screw	1

D

Lower Feed Mechanism

针距调节部件



10

零件编号 (number)	零件品号 (Product number)	零件名称 (Product name)	640 用量 (Number of 640 used)
01	PFPC0401	针距调节螺杆 Feed Regulator Dial Shaft	1
02	PFPC0402	针距调节螺杆O型圈 O-ring	1
03	PFPC0403	针距标盘 Feed Regulator Control Plate	1
04	PFPC0404	针距标盘螺钉 Screw	1
05	PFPC0405	止动销 Pin	1
06	PFPC0406	止动销簧 Spring	1
08	PFPC0408	针距座 Feed Regulator	1
09	PFPC0409	针距座销 Feed Adjusting Shaft	1
10	PF55506461	针距座销支头螺钉 Screw	1
11	PFPC0411	针距座销开口挡圈 E-ring	1
12	PFPC0412	针距座拉簧 Spring	1
13	PFPC0413	针距座拉簧板 Holder	1
14	PF6150107	针距座拉簧板螺钉 Screw	2
15	PFPC0415	倒缝扳手轴 Reverse Feed Control Lever Shaft	1
16	PFPC0416	倒缝扳手轴O型圈 O-ring	1
18	PFPC0418	倒缝扳手曲柄组件 Reverse Feed Lever Crank Ass'y	1
19	PF5550629	倒缝扳手曲柄夹紧螺钉 Screw	1
20	PF68425H33	倒缝扳手曲柄支头螺钉 Screw	1
21	PFPC0421	倒缝扳手曲柄拉簧 Return Spring	1
24	PFPC0424	针距连杆 Connecting Rod For Feed Regulator Shaft	1
25	PFPC0425	针距连杆销 Pin	1
28	PFPC0428	倒缝连杆 B/T Solenoid Crank	1
29	PFPC0429	倒缝连杆销 Pin	1

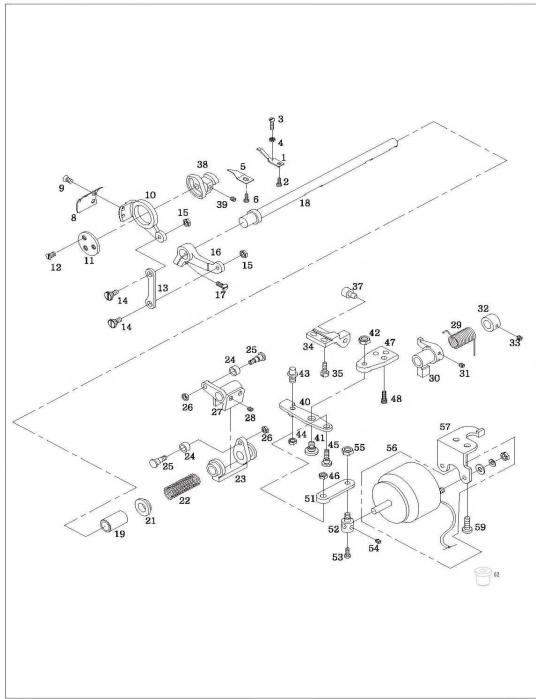
零件编号 (number)	零件品号 (Product number)	零件名称 (Product name)	640 用量 (Number of 640 used)
30	PFPC0430	倒缝连杆销开口挡圈 E-ring	1
31	PFPC0431	倒缝连杆垫圈 B/T Solenoid Crank Spacer	1
32	PFPC0432	倒缝调节架 Feed Regulator Shaft	1
33	PFPC0433	倒缝调节架套 Feed Regulator Shaft Bushing	1
34	PF5550330	倒缝调节架套紧圈螺钉 Screw	1
35	PFPC0217	倒缝调节架紧圈 Stopper Collar	1
36	PF555047	倒缝调节架紧圈螺钉 Screw	2
37	PFPC0437	倒缝调节架滑块导板 Slide Block Guide Plate	2
38	PF6150107	滑块导板螺钉 Screw	4
39	PFPC0439	倒缝调节滑块 Reverse Seam Adjustment Slider	2
40	PFPC0440	倒缝调节架滑块轴 Slide Block Shaft	1
41	PFPC0441	倒缝调节架支撑轴 Reverse Shaft	1
42	PFPC0442	倒缝调节架支撑轴销 Connecting Pin	1
43	PF55506461	支撑轴紧固螺钉 Screw	1
44	PFPC0444	抬牙送布凸轮 Tooth Lifting And Cloth Feeding Cam	1
45	PF555047	抬牙送布凸轮螺钉 Screw	2
46	PFPC0446	送布凸轮开口挡圈 C-ring	1
47	PFPC0447	送布连杆 Connecting Rod	1
48	PFPC0448	送布连杆销 Pin	1
49	PF68425H33	送布连杆销支头螺钉 Screw	1
50	PFPC0450	送布轴连杆 Feed Connecting Rod	1
51	PFPC0451	送布轴连杆下连接销 Pin	1
52	PF5550330	下连接销支头螺钉 Screw	1
53	PFPC0453	送布轴连杆下曲柄 Level Feed Shaft Crank	1
54	PF20520810	送布轴连杆下曲柄夹紧螺钉 Screw	1
55	PFPC0455	抬牙连杆 Lifting Rod	1
56	PFPC0456	抬牙连杆销 Connecting Pin	1
57	PF5550629	抬牙连杆销支头螺钉 Screw	1
58	PFPC0458	抬牙后曲柄 Feed Lifting Shaft Crank	1
59	PF5550629	抬牙后曲柄夹紧螺钉 Screw	1
60	PFPC0460	倒缝扳手 Reverse Feed Lever	1
61	PFPC0461	倒缝扳手碗型垫圈13*0.4*20.5 Washer For Reverse Feed Lever Shaft	1
62	PF90008120	倒缝扳手夹紧螺钉 Screw	1
63	PF03030474	倒缝扳手支紧螺钉 Screw	1
64	PFPC0464	送布轴 Level Feed Shaft	1
65	PFPC0465	送布轴左轴套 Level Feed Shaft Bushing	1
66	PF5550330	送布轴左轴套紧固螺钉 Screw	1
67	PFPC0467	送布轴紧圈 Collar	1
68	PF55506261	送布轴紧圈螺钉 Screw	1
69	PFPC0469	送布轴开口挡圈 C-ring	1
70	PFPC0470	牙架曲柄 Feed Bar Crank	1
71	PF5550629	牙架曲柄夹紧螺钉 Screw	2
72	PFPC0472	牙架偏心轴 Feed Bar Shaft	1

零件编号 (number)	零件品号 (Product number)	零件名称 (Product name)	640 用量 (Number of 640 used)
73	PFPC0473	牙架偏心轴垫圈 Washer	1
74	PF6150227	牙架偏心轴支头螺钉 Screw	1
75	PFPC0475	牙架 Tooth Rack	1
76	PFPC0476	牙架滑块轴 Tooth Rack Slider Shaft	1
77	PFPC0477	牙架滑块 Tooth Rack Slider	1
78	PF68425H33	螺钉 Screw	1
79	PF030231	送布牙 Feed Dog	1
80	PF5550635	送布牙螺钉 Screw	2
81	PFPC0481	拾牙曲柄(前) Tooth Crank	1
82	PF5550629	螺钉 Screw	1
83	PFPC0483	拾牙轴左轴套 Feed Lifting Shaft Bushing	1
84	PF55506461	拾牙轴左轴套螺钉 Screw	1
85	PFPC0467	拾牙轴紧圈 Collar	1
86	PF55506261	拾牙轴紧圈螺钉 Screw	2
87	PF6150529	拾牙轴左轴套垫圈 Washer	1
88	PFPC0469	拾牙轴开口挡圈 C-ring	1
89	PFPC0489	拾牙轴 Feed Lifting Shaft	1
90	PFPC0490	倒缝扳手定位圈螺钉 Screw	1
91	PFPC0491	倒缝扳手定位圈 Upper Stopper Rubber For Reverse Lever	1
92	PFPC0652	拾牙送布轴右轴套 Bushing	2
93	PFPC0493	油线 Oil Line	2
94	PF5550330	拾牙送布轴右轴套螺钉 Screw	2



Thread Trimmer Mechanism

剪线部件



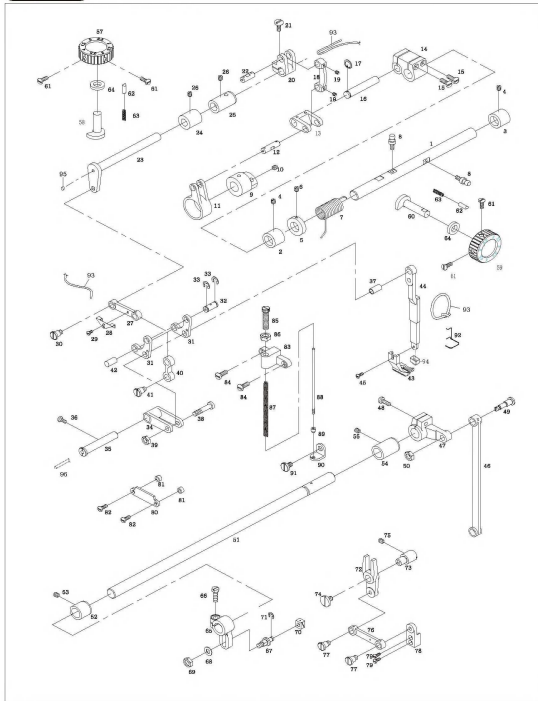
12

零件编号 (number)	零件品号 (Product number)	零件名称 (Product name)	640 用量 (Number of 640 used)
01	PFPC0501	定刀 Fixed Mes	1
02	PF03030827	定刀螺钉 Screw	1
03	PF03030822	定刀压力调节螺钉 Screw	1
04	PF03030823	压力调节螺钉锁紧螺母 Nut	1
05	PFPC0505	分线板 Thread Retaining Plate	1
06	PF555056	分线板螺钉 Screw	1
08	PFPC0508	动刀 Rotary Mes	1
09	PF90008114	动刀螺钉 Screw	2
10	PFPC0510	动刀架 Thread Trimming Holder	1
11	PFPC0511	动刀架压板 Thread Trimming Holder Cover	1
12	PF03030827	动刀架压板螺钉 Screw	3
13	PFPC0513	切线连杆 Thread Trimming Lever Connecting Link	1
14	PFPC0514	切线连杆轴位螺钉 Screw	2
15	PF8420M-D30534	切线连杆轴位螺母 Nut	2
16	PFPC0516	切线驱动曲柄 Thread Trimming Lever	1
17	PFPC0517	切线驱动曲柄夹紧螺钉 Screw	1
18	PFPC0518	切线驱动轴 Thread Trimming Shaft	1
19	PFPC0519	切线驱动轴轴套 Thread Trimming Shaft Bushing	1
21	PF03030842	切线凸轮轴曲柄端套 Guide Bush For Return Spring	1
22	PF03030843	切线凸轮曲柄复位簧 Slide Arm Return Spring	1
23	PFPC0523	凸轮右曲柄 Slide Arm	1
24	PFPC0524	凸轮左右曲柄滚柱 Rollar	2
25	PFPC0525	滚柱轴位螺钉 Screw	2

零件编号 (number)	零件品号 (Product number)	零件名称 (Product name)	640 用量 (Number of 640 used)
26	PF8420M-D30534	滚柱轴位螺母 Nut	2
27	PFPC0527	凸轮左曲柄 Cam Follower Crank	1
28	PF68425E39	凸轮左曲柄螺钉 Screw	2
29	PF03030847	驱动轴复位簧 Return Spring	1
30	PFPC0530	驱动轴复位块 Stopper Lever	1
31	PF5550330	驱动轴复位快螺钉 Screw	2
32	PF03030849	驱动轴紧圈 Collar	1
33	PF781255	驱动轴紧圈螺钉 Screw	2
34	PFPC0534	驱动轴限位块 Stopper	1
35	BF700S053	驱动轴限位块螺钉 Screw	2
37	PFPC0537	限位块缓冲垫 Stopper Lever Cushion Rubber	1
38	PFPC0538	切线凸轮 Mes Cam	1
39	PF90008103	切线凸轮螺钉 Screw	2
40	PFPC0540	电磁铁连杆杠杆 Clutch Lever	1
41	PFPC0541	杠杆中轴位螺钉 Stud Screw	1
42	PF7811573	杠杆限位螺母 Nut	1
43	PFPC0543	杠杆限位调节螺钉 Stud Screw	1
44	PF7811573	限位调节螺母 Nut	1
45	PFPC0545	电磁铁连杆轴位螺钉 Stud Screw	1
46	PFPC0546	电磁铁连杆轴位螺母 Nut	1
47	PFPC0547	连杆杠杆连接板 Base Plate	1
48	PFPC0253	连杆连接板螺钉 Screw	3
51	PFPC0551	电磁铁连杆 Solenoid Connecting Link	1
52	PFPC0552	电磁铁杆销 Solenoid Pin	1
53	PF6150107	电磁铁连杆销螺钉 Screw	1
54	PF68425H33	电磁铁连杆销紧固螺钉 Screw	1
55	PF7811573	电磁铁连杆销螺母 Nut	1
56	PFPC0556	切刀电磁铁组件 Thread Trimming Solenoid Ass'y	1
57	PFPC0557	电磁铁固定架 Base	1
59	PF888056D730	电磁铁固定架螺钉 Screw	2
62	PFPC0562	过线套 Over Sleeve	1

F

Upper Feed Mechanism 压脚提升部件

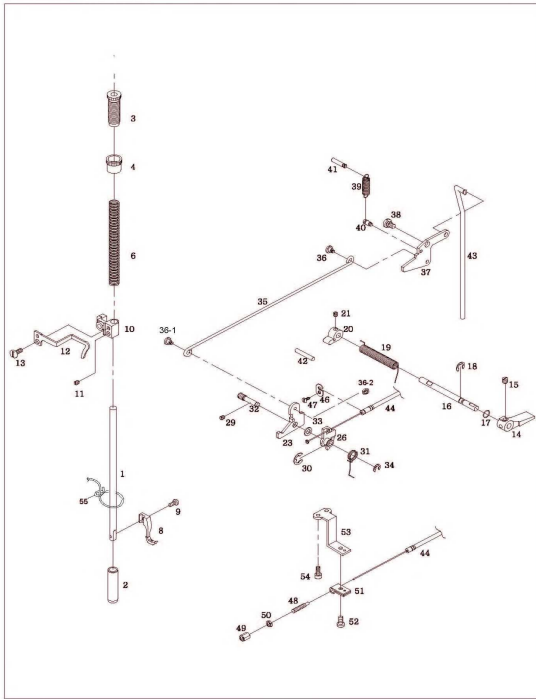


16

零件编号 (number)	零件品号 (Product number)	零件名称 (Product name)	640 用量 (Number of 640 used)
01	PFPC0601	压脚提升调节轴 Climb Device Adjusting Shaft	1
02	PFPC0483	压脚提升调节轴左轴套 Climb Device Adjusting Shaft Shaft Bushing(Front)	1
03	PFPC0603	压脚提升调节轴右轴套 Climb Device Adjusting Shaft Shaft Bushing(Rear)	1
04	PF68425H33	压脚提升调节轴轴套螺钉 Screw	2
05	PFPC0435	压脚提升调节轴紧圈 Collar	1
06	PF55506261	压脚提升调节轴紧圈螺钉 Screw	2
07	PFPC0607	压脚提升轴复位簧 Return Spring	1
08	PFPC0608	压脚提升轴螺钉 Screw	2
09	PFPC0609	送料左曲柄凸轮 Upper Feed Driving Eccentric Cam	1
10	PF555047	送料左曲柄凸轮螺钉 Screw	2
11	PFPC0611	送料左曲柄 Upper Feed Driving Eccentric Cam Rod	1
12	PFPC0612	送料左曲柄销 Connecting Pin	1
13	PFPC0613	压脚提升轴支架曲柄 Connecting Link	1
14	PFPC0614	压脚提升轴支架 Upper Feed Driving Control Crank	1
15	BF310165187	压脚提升轴支架螺钉 Screw	4
16	PFPC0616	压脚提升轴支架轴 Connecting Shaft	1
17	PFPC0617	支架轴开口挡圈 C-ring	1
18	PFPC0618	提升轴调节曲柄连杆 Upper Feed Driving Connecting Link	1
19	BF8004538	提升轴调节曲柄连杆螺钉 Screw	2
20	PFPC0620	提升轴调节曲柄 Upper Feed Driving Crank	1
21	PF20520810	提升轴调节曲柄夹紧螺钉 Screw	1
22	PFPC0622	提升轴调节曲柄销 Pin	1
23	PFPC0623	压脚提升轴 Upper Feed Driving Shaft	1

零件编号 (number)	零件品号 (Product number)	零件名称 (Product name)	640 用量 (Number of 640 used)
24	PFPC0624	压脚提升轴左轴套 Upper Feed Driving Shaft Front Bushing	1
25	PFPC0625	压脚提升轴右轴套 Upper Feed Driving Shaft Rear Bushing	1
26	PF5550330	提升轴左右套螺钉 Screw	2
27	PFPC0627	压脚送料曲柄连杆 Upper Feed Driving Rod	1
28	PFPC0628	压脚送料曲柄连杆油线夹 Upper Feed Driving Rod Wick Holder	1
29	PF03030826	连杆油线夹螺钉 Screw	1
30	PF0302621	压脚送料曲柄连杆轴位螺钉 Screw	1
31	PFPC0631	压脚送料曲柄 Upper Feed Connecting Link	1
32	PFPC0632	送料曲柄铰链轴 Upper Feed Connecting Link pin	1
33	PFPC0633	送料曲柄铰链轴开口挡圈 E-ring	2
34	PFPC0634	压脚送料曲柄支架 Upper Feed Lever Rock Crank	1
35	PFPC0635	送料曲柄轴 Upper Feed Lever Rock Crank Shaft	1
36	PF5550330	送料曲柄轴螺钉 Screw	1
37	PFPC0637	压脚连杆销套 Upper Feed Lever Connecting pin	1
38	PFPC0638	送布曲柄连杆轴位螺钉 Screw	1
39	PF5550651	送布曲柄连杆轴位螺母 Nut	1
40	PFPC0640	送料曲柄连杆 Presser Bar Bracket Link	1
41	PF0302621	送料曲柄连杆轴位螺钉 Screw	1
42	PFPC0642	送料曲柄铰链销 Pin	1
43	PF030267	压脚 Upper Feed Presser Foot	1
44	PFPC0644	压脚连杆 Upper Feed Lever	1
45	PF6150725	压脚螺钉 Screw	1
46	PFPC0646	压脚摆动轴右曲柄连杆 Upper Feed Lever Level Driving Rod	1
47	PFPC0647	压脚摆动右曲柄压脚摆动右曲柄 Upper Feed Lever Level Driving Shaft Crank(Rear)	1
48	PF7810434	压脚摆动轴右曲柄夹紧螺钉 Screw	1
49	PFPC0649	右曲柄连杆轴位螺钉 Screw	1
50	PF5550651	右曲柄连杆轴位螺母 Nut	1
51	PFPC0651	压脚摆动轴 Upper Feed Lever Level Driving Shaft	1
52	PFPC0652	压脚摆动轴左轴套 Upper Feed Lever Level Driving Shaft Front Bushing	1
53	PF55506261	压脚摆动轴左轴套螺钉 Screw	1
54	PFPC0654	压脚摆动轴右轴套 Upper Feed Lever Level Driving Shaft Rear Bushing	1
55	PF55506261	压脚摆动轴右轴套螺钉 Screw	1
57	PFPC0657	压脚调节上盖标盘组件 Climb Device Dial Ass'y(Top Cover)	1
58	PFPC0658	上盖标盘调节凸轮 Climb Device Eccentric Cam(Top Cover)	1
59	PFPC0659	压脚调节机头标盘组件 Climb Device Dial Ass'y(Arm)	1
60	PFPC0660	机头标盘调节凸轮 Climb Device Eccentric Cam(Arm)	1
61	PF55506461	调节凸轮支头螺钉 Screw	4
62	PFPC0662	标盘止动销 Pin	2
63	PFPC0663	标盘止动销簧 Spring	2
64	PFPC0664	调节凸轮垫片 Climb Device Dial Support Ring	2
65	PF03030517	压脚摆动轴左曲柄 Upper Feed Lever Level Adjusting Crank	1
66	PFPC0666	压脚摆动轴左曲柄夹紧螺钉 Screw	1
67	PF0302616	摆轴轴左曲柄调节柱 Upper Feed Level Adjusting Shaft	1

零件编号 (number)	零件品号 (Product number)	零件名称 (Product name)	640 用量 (Number of 640 used)
68	PF030264	曲柄调节粹垫圈 Washer	1
69	PFPC0669	曲柄调节柱螺母 Nut	1
70	PFPC0670	由柄调节柱滑块 Block	1
71	PFPC0671	由柄调节柱开口挡圈 E-ring	1
72	PFPC0672	提升压脚摆动曲柄 Upper Feed Level Driving Link	1
73	PFPC0673	提升压脚摆动曲柄支点轴 Hinge Shaft	1
74	PFPC0674	提升压脚摆动曲柄吊紧螺钉 Screw	1
75	PF5550330	曲柄支点轴螺钉 Screw	1
76	PFPC0676	摆动曲柄连杆 Upper Feed Level Driving Rod	1
77	PF0303621	摆动曲柄连杆轴位螺钉 Screw	2
78	PFPC0678	摆动曲柄连杆座 Upper Feed Level Holder	1
79	PF555049	摆动曲柄连杆座螺钉 Screw	2
80	PFPC0680	压脚连杆导板 Upper Feed Lever Support Plate	1
81	PF030262	压脚连杆导板垫块 Upper Feed Lever Support Plate Ring	2
82	BF700S039	压脚连杆导板螺钉 Screw	2
83	PFPC0683	提升压脚调节架 Frame For Upper Feed Pressure Adjusting Screw	1
84	BF700S039	提升压脚调节架螺钉 Screw	2
85	PF0302625	提升压脚调节螺钉 Screw	1
86	PF5550651	提升压脚调节螺钉锁紧螺母 Nut	1
87	PFPC0687	提升压脚簧 Upper Feed Pressure Adjusting Spring	1
88	PF03030532	压脚簧导柱 Upper Feed Pressure Adjusting Spring Bar	1
89	PF0303053201	压脚簧导柱头 Fulcrum For F-87	1
90	PFPC0690	压脚簧导柱导向块 Fulcrum For F-88	1
91	PFPC0691	压脚簧导柱导向块轴位螺钉 Screw	1
92	PFPC0692	护指簧 Needle Bar Safety Guide	1
93	PFPC0693	油线 Oil Line	3
94	PFPC0694	油盒 The Oil Box	1
95	PFPC0695	止栓 Stop Switch	1
96	PF69349	油线 Oil Line	1



18

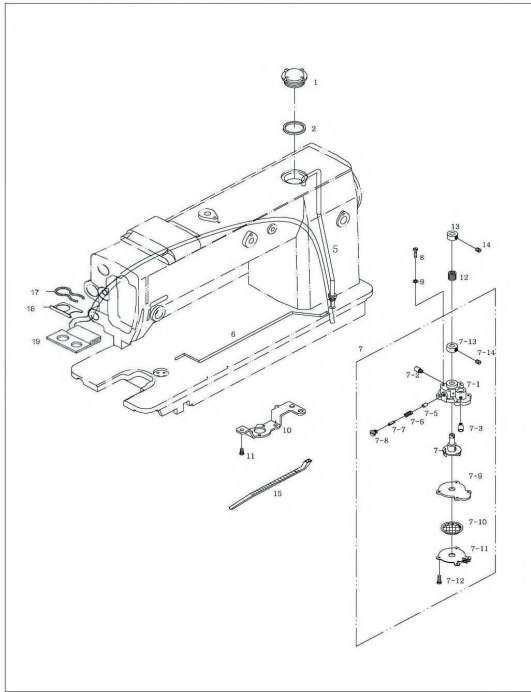
零件编号 (number)	零件品号 (Product number)	零件名称 (Product name)	640 用量 (Number of 640 used)
01	PFPC0701	压紧杆 Presser Bar	1
02	PFPC0702	压紧杆轴套 Pressure Adjusting Screw	1
03	PFPC0703	调压螺钉 Screw	1
04	PFPC0704	调压螺钉锁紧螺母 Nut	1
06	PF03030320	调压簧 Pressure Adjusting Spring	1
08	PF03030323	小压脚 Sub Press Foot	1
09	PF6150725	小压脚螺钉 Screw	1
10	PFPC0710	压紧杆导架 Presser Bar Bracket	1
11	PF5550330	压紧杆导架螺钉 Screw	1
12	PFPC0712	大线勾 Thread Guide Plate	1
13	PF5550317	大线勾螺钉 Screw	1
14	PFPC0714	压脚板手 Presser Bar Lifter	1
15	PF5550330	压脚板手螺钉 Screw	2
16	PFPC0716	压脚板手轴 Presser Bar Lifter Shaft	1
17	PFPC0205	压脚板手轴O型圈 O-ring	1
18	PFPC0718	压脚板手轴开口挡圈 E-ring	1
19	PFPC0719	压脚板手轴扭簧 Torsion Spring	1
20	PFPC0720	压脚板手抬高块 Presser Lifter Cam	1
21	PF68425E39	压脚板手抬高块螺钉 Screw	1
23	PFPC0723	膝控提升杆 Knee Lifting Link	1
26	PFPC0726	钢绳上固定夹 Loose Board	1
29	PF68425H33	支点轴螺钉 Screw	1
30	PFPC0730	钢绳上开口挡圈 E-ring	1

零件编号 (number)	零件品号 (Product number)	零件名称 (Product name)	640 用量 (Number of 640 used)
31	PFPC0731	钢绳上扭簧 Spring	1
32	PFPC0732	膝控提升杠杆 (左) 支点轴 Shaft	1
33	PF19000816	支点轴垫圈 Washer	1
34	PFPC0734	支点轴开口挡圈 E-ring	1
35	PFPC0735	膝控提升拉杆 Presser Bar Lifting Connecting Stick	1
36	PF6150709	膝控提升拉杆轴位螺钉 Screw	1
36-1	PFPC073601	铰链螺钉 Screw	1
36-2	PFPC073602	螺母 Nut	1
37	PFPC0737	膝控提升杠杆 (右) Knee Lifting Link	1
38	PFPC0738	膝控提升杠杆 (右)螺钉 Screw	1
39	PF6150714	膝控提升杠杆 (右) 拉簧 Spring	1
40	PFPC0740	拉簧下勾销 Hinge Screw	1
41	PFPC0741	拉簧上勾销 Holder	1
42	PFPC0742	松线钉 Stopper Pin	1
43	PFPC0743	抬压脚顶杆 Knee Lifting Bar Stick	1
44	PFPC0744	松线钢绳组件 Tension Release Cable Ass'y	1
46	PFPC0746	松绳上固定架 Tension Release Cable Holder(U)	1
47	PF03030826	钢绳上固定架螺钉 Screw	1
48	PFPC0748	松绳松线调节柱 Connecting Bolt	1
49	PFPC0749	调节柱左锁紧螺母 Nut	1
50	BF310164805	调节柱锁紧螺母 Nut	1
51	PFPC0751	钢绳下固定架 Tension Release Cable Holder(L)	1
52	PF6150107	钢绳下固定架螺钉 Screw	1
53	PFPC0753	松线下固定架 Bracket	1
54	PF6150107	松线下固定架螺钉 Screw	2
55	PFPC0693	油线 Oil Line	2



Lubrication Mechanism

润滑部件



20

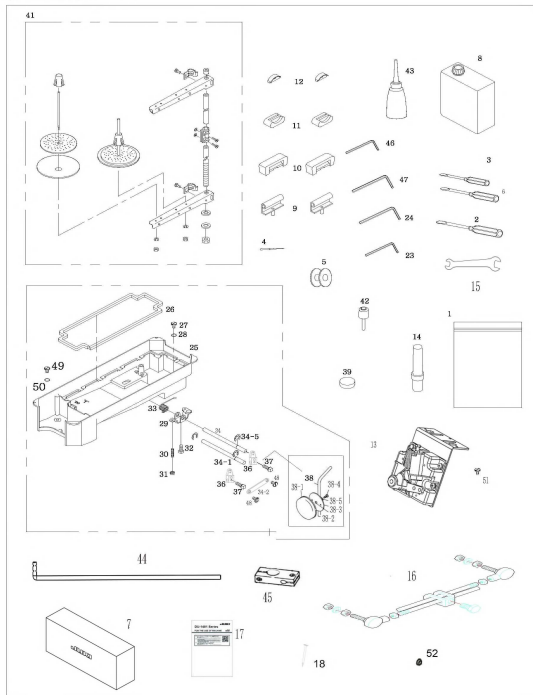
零件编号 (number)	零件品号 (Product number)	零件名称 (Product name)	640 用量 (Number of 640 used)
01	PFPC0901	油窗 Oil Gauge Window	1
02	PFPC0902	油窗密封垫O型圈 O-ring	1
05	PFPC0905	上输油管组件 Upper Shaft Oil Supply Pipe Ass'y	1
06	PFPC0906	下输油管 Lower Shaft Oil Supply Pipe	1
07	PFPC0907	油泵组件 Oil Pump Ass'y	1
07-1	PFPC090701	油泵体 Oil Pump Body	1
07-10	PFPC090710	油泵过滤网 Oil Pump Cap	1
07-11	PFPC090711	油泵磁铁夹 Magnetic Holder	1
07-12	PFPC090712	油泵体盖板螺钉 Screw	4
07-13	PFPC090713	油泵体上紧圈 Collar For Impeller Shaft	1
07-14	PFPC090714	油泵体上紧圈螺钉 Screw	2
07-2	PFPC090702	下输油嘴 Nipple For Oil Return Tube	1
07-3	PFPC090703	上输油嘴 Nipple For Lower Shaft Oil Supply	1
07-4	PFPC090704	油泵叶轮 Impeller	1
07-5	PFPC090705	柱塞 Piston	1
07-6	PFPC090706	柱塞弹簧 Piston Spring	1
07-7	PFPC090707	舒适弹簧销 Piston Spring Pin	1
07-8	PFPC090708	柱塞弹簧螺钉 Piston Spring Pin Screw	1
07-9	PFPC090709	油泵体盖板 Oil Pump Cover	1
08	PFPC0908	油泵体连接螺钉 Screw	3
09	PFPC0909	油泵体连接螺钉垫圈 Oil Pump Body Washer	3
10	PFPC0910	油泵体连接支架 Oil Pump Bracket	1
11	PFPC0911	油泵体连接支架螺钉 Screw	3

零件编号 (number)	零件品号 (Product number)	零件名称 (Product name)	640 用量 (Number of 640 used)
12	PFPC0912	竖轴弹簧 Oil Pump Connecting Spring	1
13	PFPC0913	竖轴紧圈 Oil Pump Connecting Collar	1
14	PF68425H33	竖轴紧圈螺钉 Screw	2
15	PFPC0915	各油管定位软夹 Nylon Clib	1
16	PFPC0916	面部防油板 Face Grease Shield	1
17	PFPC0917	上回油管压簧 Last Tubing Pressure Spring	1
19	PFPC0919	机头油毡 The Nose Linoleum	1

J

Accessories Mechanism

附件



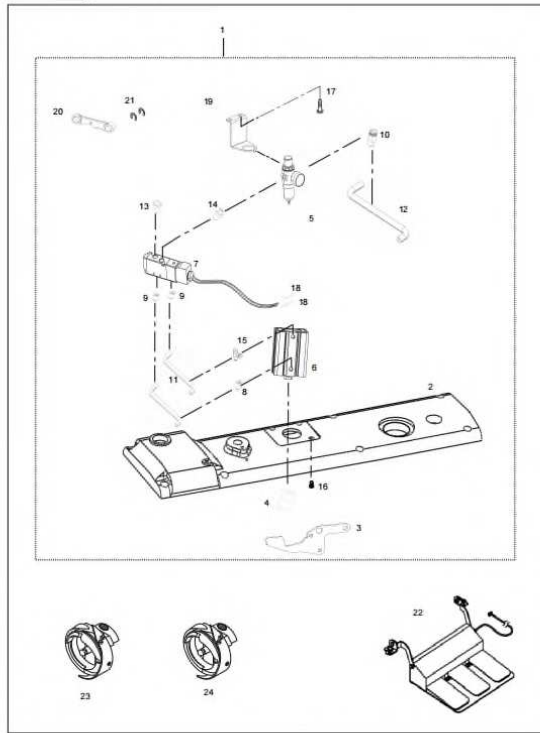
22

零件编号 (number)	零件品号 (Product number)	零件名称 (Product name)	640 用量 (Number of 640 used)
01	PFPC1001	附件拉链袋 Accessory Bag	1
02	PFPC1002	螺丝刀 (大) Driver(Large)	1
03	PFPC1003	螺丝刀 (中) Driver(Middle)	1
04	PFDTDP1723	多特机针 Needle(DPX17 #22)	1
05	PFPC0327	梭心 Bobbin(Steel)	1
06	PFPC1006	螺丝刀 (小) Driver(Small)	1
07	PFPC1007	机头罩 Head Cover	1
08	PFPC1008	油箱部件 Oil Tank	1
09	PF5550101	机头铰链 Head Hinge	2
10	PFPC1010	机头铰链防震垫 Head Hinge Rubber	2
11	PFPC1011	机头大防震块 Head Support Rubber	2
12	PFPC1012	机头小防震块 Head Support Rubber	2
13	PFQ50191	脚踏开关 Pedal Switch	1
14	PF8420M-D3010113	长脚柱 Head Rest	1
15	PF61501109	双头扳手 (10 14) Double Wrench	1
16	PF90001318	脚踏拉杆 Pedal Pull	1
17	PFPC1017	安全书 Security Book	1
18	PFPC1018	铁钉 Piton	1
23	PFPC1023	内六角扳手2mm L-Wrench(2mm)	1
24	PFPC1024	内六角扳手2.5mm L-Wrench(2.5mm)	1
25	PFPC1025	油盘 Oil Pan	1
26	PFPC1026	油盘垫 Oil Pan Gasket	2
27	PF555095	油盘放油螺钉 Screw	1

零件编号 (number)	零件品号 (Product number)	零件名称 (Product name)	640 用量 (Number of 640 used)
28	PFPC1028	排油螺钉O形圈 O-ring	1
29	PFPC1029	膝控限位架 Control Body	1
30	PFPC1030	螺钉 Screw	2
31	PFPC1031	螺母 Nut	2
32	PFPC1032	螺钉 Screw	1
33	PFPC1033	膝控复位弹簧 Control Body Spring	1
34	PFPC1034	膝控铰链轴 Knee Lifting Shaft	1
34-1	PFPC103401	膝控辅助铰链轴 Control Body Shaft	1
34-2	PFPC103402	膝控接头连杆 Knee Joint Lever	1
34-5	PFPC103405	卡簧 E-ring	3
36	PFPC1036	膝控弯杆接头 Knee Bend Joint	2
37	PFPC1037	螺钉 Screw	4
38	PFPC1038	膝控弯杆 Knee Support Rubber Ass'y	1
38-1	PFPC103801	操纵杆软垫 Joystick Pad	1
38-2	PFPC103802	操纵杆垫 Joystick Pad	1
38-3	PFPC103803	操纵杆板 Joystick Board	1
38-4	PFPC103804	接头螺丝 Connector Screw	1
38-5	PFPC103805	操纵杆接头 Joystick Joint	1
39	PFPC1039	磁铁 Magnetic	1
41	PF55501127	线架组件 Thread Stand Ass'y	1
42	PFPC1042	膝控提升顶杆 Knee Lifting Stick Support Cap	1
43	PF61501105	小油壶 Oil Tank	1
44	PFPC1044	导线杆 Knee Up Top	1
45	PFPC1045	夹头 Pincers	1
46	PFPC1046	内六角扳手4mm L-Wrench(4mm)	1
47	PFPC1047	内六角扳手3mmL-Wrench(3mm)	1
48	PF61507141	轴位螺钉 Screw	2
49	PFPC1049	螺钉 Screw	1
50	PFPC1028	放油螺钉垫片 Gasket	1
51	PFPC1051	螺钉 Screw	3
52	PFPC0157	橡皮塞 Arm Back Part Rubber Cap(Small)	3

K

Option parts 可选零件



24

零件编号 (number)	零件品号 (Product number)	零件名称 (Product name)	640 用量 (Number of 640 used)
01	PFPC1101	自动抬压脚装置配件 Automatic lifting device kit	1
02	PFPC012701	上盖 (气动) Upper cover (pneumatic)	1
03	PFPC073701	膝控提升杠杆 (气动) Knee lifting link (pneumatic)	1
04	PFPC0755	支撑套 Support	1
05	PFPC0756	调压过滤阀 (AFR20001) Pressure regulating filter valve	1
06	PFPC0757	气缸 (SDA25*35B) Cylinder	1
07	PFPC0758	电磁阀 (4V110-06B1) Solenoid valve	1
08	PFPC0759	管接头 (PC4-M5) Pipe joint	1
09	PFM9158701	管接头 (PC4-01) Pipe joint	2
10	PFMJ1056	管接头 (PC8-02) Pipe joint	1
11	PFPC0763	PU管4mm tube	2
12	PFPC0764	PU管8mm tube	1
13	PFPC0765	消音器 (BSLM01) Muffler	2
14	PFPC0766	管接头 (BB0102) Pipe joint	1
15	PFPC0767	管接头 (PTL4M5A-M) Pipe joint	1
16	SCJ2016	螺钉M6*14 Screw	3
17	SCJ2037	十字自攻螺钉 Screw	2
18	PFPC1118	接线端子 Terminal	2
19	PFPC0768	安装板 Mounting plate	1
20	PFPC062701	压脚送料曲柄连杆 Upper feed driving rod	1
21	PFPC0633	送料曲柄铰链轴开口挡圈 E-ring	2
22	PFPC1122	三联踏板 3-Joint pedal	1
23	PFPC032501	旋梭组件 (有尾) Rotary hook assembly	1

零件编号
(number)

零件品号
(Product number)

零件名称
(Product name)

640 用量
(Number of 640 used)

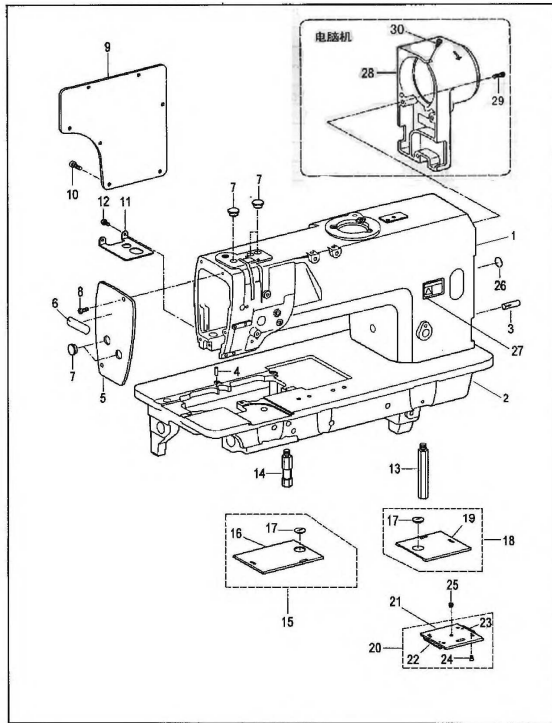
24

PFPC0326

旋梭组件 (佐文) Rotary hook assembly

1

1-1 机壳部件/Machine body

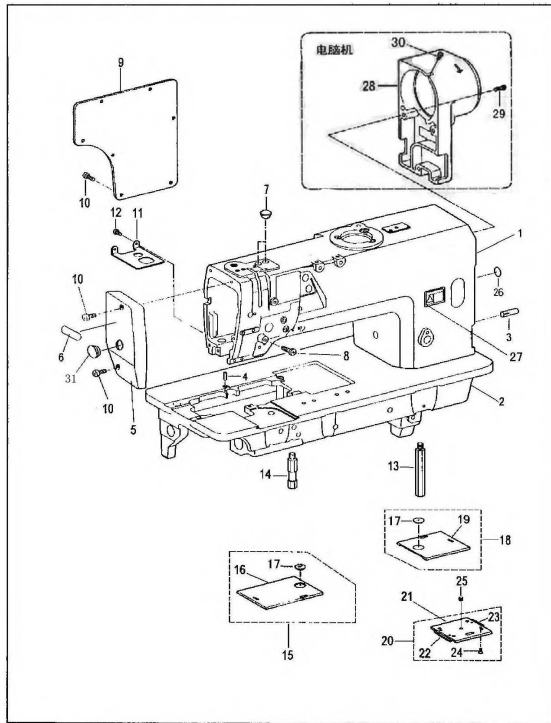


1

零件编号 (number)	零件品号 (Product number)	零件名称 (Product name)	8420D-3 用量 (Number of 8420D-3 used)	8420D-5 用量 (Number of 8420D-5 used)	8720D 用量 (Number of 8720D used)
01	033102002	机头 ARM	1	1	1
02-1	034203008	底板 (D3剪线款) BED	1	1	1
02-2	034203005	底板 (D普通款) BED	1	1	1
03	PF8420M-D3010103	带槽销 DOWEL PIN	2	2	2
04	PF68425A02	定位销 POSITIONING PIN	1	1	1
05	PF8420M-D301010501L	面板 FACE PLATE	1	1	1
06-1	BZ3137	面板商标牌 (分体机) PLATE	1	1	1
06-2	BZ3138	面板商标牌 (一体机) PLATE	1	1	1
07	PF8420M-D3010107	橡皮塞 RUBBER CAP,15.5	2	2	2
08	PF8420M-D3010110	螺钉M5×8 SCREW	2	2	2
09	PF8420M-D301010901L	后盖板 REAR COVER	1	1	1
10	PF8420M-D3010110	螺钉M5×14 SCREW	7	7	7
11	PF8420M-D3010111	防尘板 DUST PROTECTOR	1	1	1
12	PF8420M-D3010112	螺钉M5×6 SCREW	2	2	2
13	PF8420M-D3010113	长脚柱 BED LEG,L	1	1	1
14	PF8420M-D3010114	短脚柱 BED LEG,S	1	1	1
15	PF8420M-D3010115	左推板组件 SLIDE PLATE,LA ASSY	1	1	1
16	PF8420M-D3010116	左推板 SLIDE PLATE,LA	1	1	1

Machine body

1-2_ 机壳部件 /Machine body



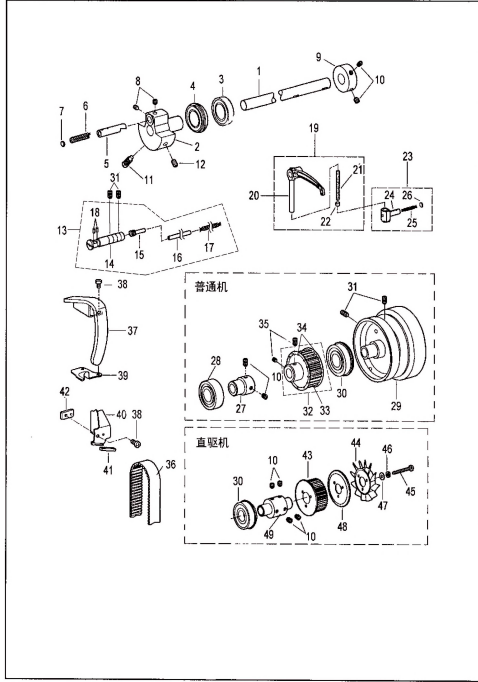
3

零件编号 (number)	零件品号 (Product number)	零件名称 (Product name)	8450D-3 用量 (Number of 8450D-3 used)	8450D-5 用量 (Number of 8450D-5 used)	8750 用量 (Number of 8750 used)
01	033101005	机头(双针杆) ARM	1	1	1
02-1	034203008	底板 (D3剪线款) BED	1	1	1
02-2	034203005	底板 (D/DP系列) BED	1	1	1
03	PF8420M-D3010103	带槽销 DOWEL PIN	2	2	2
04	PF68425A02	定位销 POSITIONING PIN	1	1	1
05	PF8450M-D301020501L	面板 FACE PLATE	1	1	1
06-1	BZ3137	面板商标牌 (分体机) PLATE	1	1	1
06-2	BZ3138	面板商标牌 (一体机) PLATE	1	1	1
07	PF8420M-D3010107	橡皮塞 12.5 RUBBER CAP,12.5	2	2	2
08	PF8420M-D3010108	螺钉M5×8 SCREW	2	2	2
09	PF8420M-D301010901L	后盖板 REAR COVER	1	1	1
10	PF8420M-D31415	螺钉M5×12 SCREW	7	7	7
11	PF8450M-D3010211	防尘板 DUST PROTECTOR	1	1	1
12	PF8420M-D3010112	螺钉M5×6 SCREW M5X6	2	2	2
13	PF8420M-D3010113	长脚柱 BED LEG,L	1	1	1
14	PF8420M-D3010114	短脚柱 BED LEG,S	1	1	1
15	PF8420M-D3010115	左推板组件 SLIDE PLATE,LA ASSY	1	1	1
17	PF8420M-D3010117	推板窗 BOBBIN WINDOW	2	2	2
18	PF8420M-D3010118	右推板组件 SLIDE PLATE ASSY,R	1	1	1
20	PF8420M-D3010120	前推板组件 SLIDE PLATE F ASSY	1	1	1

零件编号 (number)	零件品号 (Product number)	零件名称 (Product name)	8450D-3 用量 (Number of 8450D-3 used)	8450D-5 用量 (Number of 8450D-5 used)	8750用量 (Number of 8750 used)
25	PF68425A16	螺钉SM13/64*32-4 SCREW SM13/64*32-4	1	1	1
26	BZ3122	接地标记 LABEL GROUNDING	1	1	1
27	BZ3141	CE标记 LABEL CE	1	1	1
28	PF8420M-D301012802	马达罩(新) MOTOR COVER	1	1	1
29	PF9990423	螺钉M5X14 SCREW PAN M5X14	3	3	3
30	PF8420M-D31415	螺钉M5X10 SCREW PAN M5X10	1	1	1
31	PF8420M-D3010107	橡皮塞 12.5 RUBBER CAP,12.5	2	2	2

UPPER SHAFT MECHANISM

2. 上轴部件/UPPER SHAFT MECHANISM



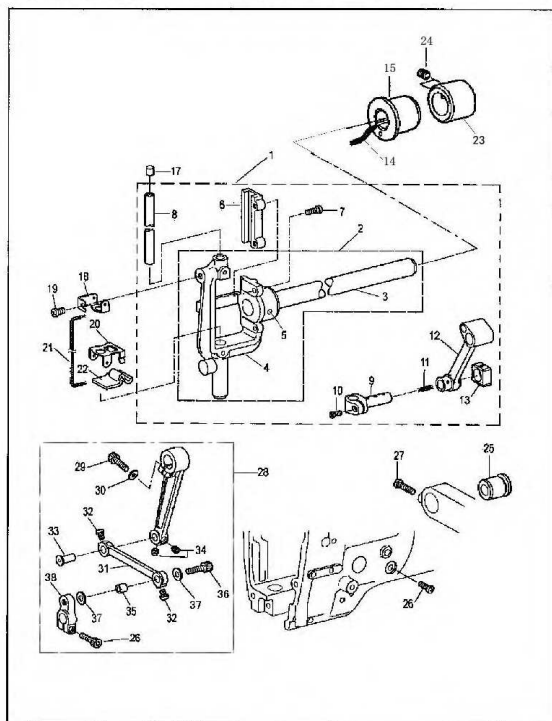
5

零件编号 (number)	零件品号 (Product number)	零件名称 (Product name)	8420D 用量 (Number of 8420D used)	8450D 用量 (Number of 8450D used)	8720D用量 (Number of 8720D used)
01	PF8420M-D30201	上轴 UPPER SHAFT,DO	1	1	1
02-1	PF8420M-D30202	针杆曲柄 (单针杆) THREAD TAKE-UP CRANK	1	1	1
02-2	PF8450M-D30202	针杆曲柄(双针杆)THREAD TAKE-UP CRANK	1	1	1
03	PF999020104	球轴承6004ZZ BALL BEARING,6004ZZ	1	1	1
04	PF20520923	球轴承6004ZZNR BALL BEARING,6004ZZNR	1	1	1
05	PF8450M-D30205	针杆曲柄轴	1	1	1
06	PF5550833	油线6×6 L=60 WICK6×6,L=60	1	1	1
08	PF8420M-D30208	固定螺钉M6×5 SCREW	2	2	2
09	PF8420M-D30209	绕线轮 BOBBIN WINDER DRIVING WHEEL	1	1	1
10	PF8420M-D30210	绕线轮螺钉M6×6*0.75 SCREW	2	2	2
11	PF8420M-D30211	螺钉M8 SCREW	1	1	1
12	PF8420M-D30212	螺钉M6×10S CREW	1	1	1
14	PF8420M-D30214	挑线杆轴 THREAD TAKE-UP S-SHAFT	1	1	1
15	PF8420M-D30215	挑线杆轴接头 PICKING ROD SHAFT JOINT	1	1	1
16	SCJ5010	油管φ5×φ3×90 OIL TUBE	1	1	1
17	PF68425K61	油线 WICK	1	1	1
18	PF5550833	油线 WICK	1	1	1
20-1	PF68423B21	挑线杆组件S3-L (-3机型) THREAD TAKE-UP LEVER ASSYS3-L	1	1	1
20-2	PF68425B21	挑线杆组件S5-L (-5机型) THREAD TAKE-UP LEVER ASSYS5-L	1	1	1
20-3	PF68725B21	挑线杆组件S7-L (大旋梭) THREAD TAKE-UP LEVER ASSYS7-L	1	1	1

零件编号 (number)	零件品号 (Product number)	零件名称 (Product name)	8420D 用量 (Number of 8420D used)	8450D 用量 (Number of 8450D used)	8720D用量 (Number of 8720D used)
21	PF5550833	油线 WICK	1	1	1
22	PF68425K32	油塞 PUSHER	1	1	1
24-1	PF68425B2401	针杆接头滑块 (单针杆) T-TAKE-UP SLIDE BLOCK	1	1	1
24-2	PF68455D2401	针杆接头滑块(角缝) T-TAKE-UP SLIDE BLOCK	1	1	1
25	PF5550833	油线 WICK	1	1	1
27	BF31010250529	轴承套座 (DP系列) BALL BEARING BUSH	1	1	1
28	PF20520322	球轴承6204ZZNR (DP系列) BALL BEARING,RADIAL 6204ZZNR	1	1	1
29	PF84200229L	主动轮 (皮带款) PULLY	1	1	1
30	PF20520322	球轴承6204ZZNR (D/D3系列) BALL BEARING,RADIAL 6204ZZNR	1	1	1
31	PF8420M-D30212	螺钉M6×10 (皮带款) SCREW	2	2	2
32	PF8420M-D30232	上同步轮组件 (DP款) TIMING PULLEY ASSY,UST	1	1	1
35	PF8420M-D30212	螺钉M6×6 SCREW	2	2	2
36	PF8420M-D30236	同步带 TIMING BELT	1	1	1
37	PF8420M-D30237L	挑线杆防护罩 THREAD TAKE-UP LEVER COVER	1	1	1
38	PF8420M-D3010108	螺钉M5×8 SCREW	2	2	2
39	PF8420M-D30239	防尘盖 DUST COVER	1	1	1
40	PF8420M-D30240	遮掩板 SHELTER PLATE	1	1	1
41	PF8420M-D30241	油毡 FELT	1	1	1
42	PF8420M-D30242	遮掩板支座 HOLDER,SHELTER PLATE	1	1	1
43	PF8420M-D30243	上同步轮 TIMINGPULLEY.U DD	1	1	1
44	PF8420M-D30244	叶轮 FAN	1	1	1
45	PF8420M-D30245	螺钉M4X35 SCREW.PAN M4X35	3	3	3
46	SCJ3001	弹簧垫圈2-4 WASHER,SPRING2-4	3	3	3
47	SCJ3010	平垫圈 M4 WASHER,PLAN M4	3	3	3
48	PF8420M-D30248	同步轮挡圈 PULLEY U FLANGE	1	1	1
49	PF9990263	联轴器 Motor coupling	1	1	1

NEEDLE BAR ROCKING MECHANISM

3-1 针杆摆动部件/NEEDLE BAR ROCKING MECHANISM

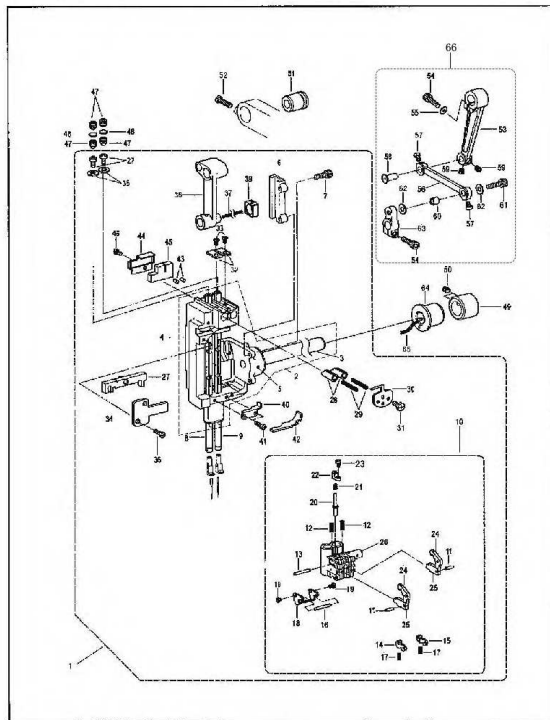


7

零件编号 (number)	零件品号 (Product number)	零件名称 (Product name)	8420D//DP/N-D3 用量 (Number of 8420D//DP/N-D3 used)	8420D//DP/N-D3 用量 (Number of 8420D//DP/N-D3 used)	8720D//DP/N-D3用量 (Number of 8720D//DP/N-D3 used)
01	PF8420M-D3030101	针杆摆动轴组件 NEEDLE BAR ROCKER SHAFT ASSY	1	1	1
08	PF8420M-D3030108	针杆 NEEDLE BAR	1	1	1
15	PF8420M-D3030264	轴套L CASE	1	1	1
18	PF8420M-D3030118	油毡上支架 FELT SUPPORT,U	1	1	1
19	PF8420M-D3010112	螺钉M5×6 SCREW	1	1	1
20	PF8420M-D3030120	油毡下支架 FELT SUPPORT,D	1	1	1
21	PF68425K13005	油线 L=200 WICK	1	1	1
22	PF8420M-D3030122	油毡 FELT	1	1	1
23	PF8420M-D3030123	前轴套挡圈 SET SCREW COLLAR	2	2	2
24	PF8420M-D30210	挡圈螺钉 SCREW	2	2	2
25	PF8420M-D3030125	摆动轴后轴套 BUSH,R	1	1	1
26	PF8420M-D3010108	螺钉M5×8 SCREW	2	2	2
27	PF8420M-D3030127	螺钉M6×16 SCREW	1	1	1
28	PF8420M-D3030128	针杆摆动大连杆组件 NEEDLE BAR ROCKER LEVER	1	1	1

NEEDLE BAR ROCKING MECHANISM

3-2 针杆摆动部件 / NEEDLE BAR ROCKING MECHANISM

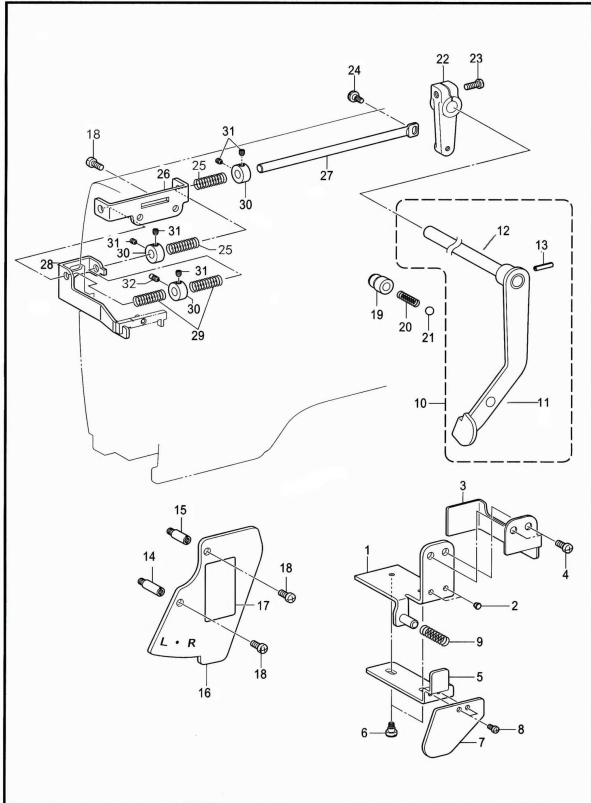


9

零件编号 (number)	零件品号 (Product number)	零件名称 (Product name)
01	PF8450M-D3030201	针杆摆动轴组件 NEEDLE BAR ROCKER SHAFT ASSY
08	PF8450030208	针杆组件 (左) NEEDLE BAR ASSY,L
09	PF8450030209	针杆组件 (右) NEEDLE BAR ASSY,R
10	PF8450030210	针杆接头组件 NEEDLE BAR CLAMP ASSY
40	PF8450M-D3030240	油毡下支架 FELT SUPPORT
41	PF8420M-D30408	螺钉M3.5×5 SCREW
42	PF8450M-D3030242	油毡 FELT
43	PF8450M-D3030243	油毡 FELT
44	PF8450M-D3030244	油毡上支架 FELT SUPPORT
45	PF8450M-D3030245	油毡 FELT
46	PF8420M-D30408	螺钉M3.5×5 SCREW
47	PF8450M-D3030247	固定螺钉M8×8 SCREW
49	PF8420M-D3030123	紧圈 SET SCREW COLLAR
50	PF8420M-D30208	固定螺钉M6×5 SCREW
51	PF8420M-D3030125	摆动轴后轴套 BUSH,R
52	PF8420M-D3030127	螺钉M6×16 SCREW
64	PF8420M-D3030264	摆动轴前轴套 BUSH
66	PF8420M-D3030128	针杆摆动大连杆 NEEDLE BAR ROCKER LEVER ASSY

Needle bar flip-up mechanism

4. 针杆切换操作部件 / Needle bar flip-up mechanism

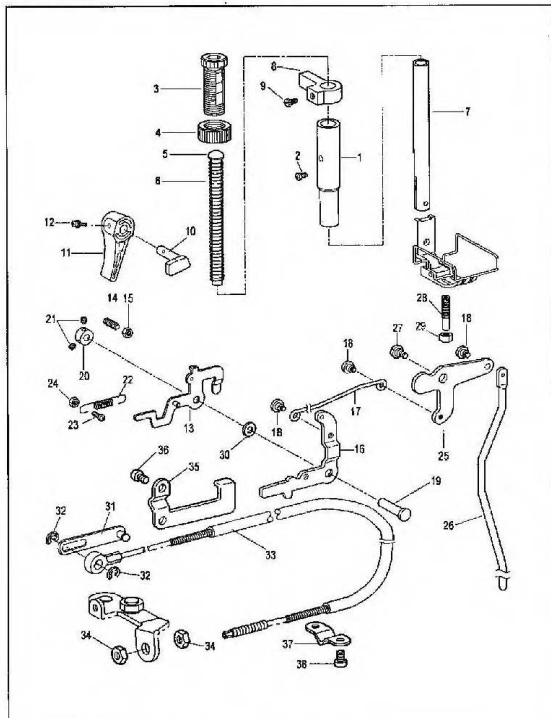


零件编号 (number)	零件品号 (Product number)	零件名称 (Product name)	8450D/DP-3 用量 (Number of 8450D/DP-3 used)	8450D/DP-5 用量 (Number of 8450D/DP-5 used)	8750D/DP用量 (Number of 8750D/DP used)
01	PF8450M-D30401	指示板组件 INDICATION PLATE ASSY	1	1	1
03	PF8450M-D30403	指示板盖 HOLDER PLAIE COVER	1	1	1
04	PF8450M-D30404	螺钉M5X10 SCREW	2	2	2
05	PF8450M-D30405	压杆 PUSH LEVER	1	1	1
06	BF700S038	轴位螺钉M4 SHOULDER SCREW , M4	2	2	2
07	PF8450M-D30407	压杆板 PLATEPUSH LEVER	1	1	1
08	PF8450M-D30408	螺钉M3.5×5 SCREW	2	2	2
09	PF8450M-D30409	弹簧 SPRING	1	1	1
10	PF8450M-D30410	定位杆轴组件 STOP LEVER SHAFT ASSY	1	1	1
14	PF8450M-D30414	螺栓L BOLT , L	1	1	1
15	PF8450M-D30415	螺栓S BOLT , S	1	1	1
16	PF8450M-D30416	切换指示板 FLIP-UP HOLDER PLATE	1	1	1
17	PF8450M-D30417	切换指示标签 LABEL	1	1	1
18	PF8420M-D3010108	螺钉M5×8 SCREW	2	2	2
19	PF68455C13	轴承导向套 BALL GUIDE BUSH	1	1	1
20	PF68455C14	弹簧 SPRING	1	1	1
21	PF68455C15	钢球1/4 BEARING BALL , 1/4	1	1	1
22	PF8450M-D30422	轴臂 ARM , LEVER SHAFT	1	1	1
23	PF1310J48	螺钉M5×14 SCREW	1	1	1
24	PF8450M-D30424	螺钉M4 SCREW	1	1	1

零件编号 (number)	零件品号 (Product number)	零件名称 (Product name)	8450D/DP-3 用量 (Number of 8450D/DP-3 used)	8450D/DP-5 用量 (Number of 8450D/DP-5 used)	8750D/DP用量 (Number of 8750D/DP used)
25	PF8450M-D30425	弹簧 SPRING	1	1	1
26	PF8450M-D30426	滑轴架 SLIDE SHAFT BRACKET	1	1	1
27	PF8450M-D30427	滑动轴 SLIDE SHAFT	1	1	1
28	PF8450M-D30428	支架板 SUPPORT PLATE , SLIDE SHAFT	1	1	1
29	PF8450M-D30429	弹簧 SPRING	2	2	2
30	PF8450M-D30430	紧圈 SET SCREW COLLAR	1	1	1
31	PF8450M-D30431	螺钉M4×4 SCREW	1	1	1
32	PF8450M-D30432	导向螺钉 SCREW	1	1	1

Presser foot mechanism

5 压脚部件/Presser foot mechanism



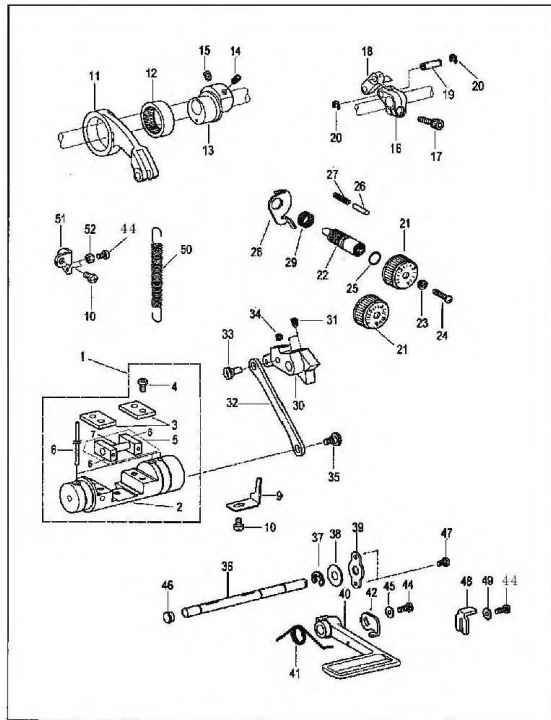
14

零件编号 (number)	零件品号 (Product number)	零件名称 (Product name)	8420D/DP/N-D3/EZN-D3 用	8450D/DP/N-D3/EZN-D3 用	8720D/DP/N-D3/EZN-D3 用
			量 (Number of 8420D/DP/N-D3/EZN-D3 used)	量 (Number of 8450D/DP/N-D3/EZN-D3 used)	量 (Number of 8720D/DP/N-D3/EZN-D3 used)
01	PF8420M-D30501	压紧杆轴套 PRESSER BAR BUSH	1	1	1
02	PF8420M-D3010129	螺钉 M5×14 SCREW	1	1	1
03	PF8420M-D30503组件	调压螺钉 PEPPER ADJUSTING SCREW	1	1	1
04	PF8420M-D30503组件	调压螺钉锁紧螺母 ADJUST SCREW NUT	1	1	1
05	PF8420M-D30505	压紧杆导柱 SPRING GUIDE	1	1	1
06	PF8420M-D30506	压紧弹簧 PRESSER BAR SPRING	1	1	1
07	PF8420M-D30507	压紧杆 PRESSER BAR	1	1	1
08	PF8420M-D30508	压紧杆导架 GUIDE BRACKET , P-BAR	1	1	1
09	PF8420M-D30509	螺栓M6×10 BOLT	1	1	1
10	PF8420M-D30510	压杆提升曲柄 PRESSER BAR LIFTING CRANK	1	1	1
11	PF8420M-D30511	抬压脚扳手 LIFTING LEVER	1	1	1
12	PF8420M-D30512	螺钉M3.5×12含垫圈 SCREW , PAN (S/P W)	1	1	1
13-1	PF8420M-D30513	松线板组件(切线) TENSION RELEASE PLATE ASSY	1	1	1
13-2	PF8420D051301	松线板组件(普通机) TENSION RELEASE PLATE ASSY	1	1	1
14	PF8420M-D30514	螺钉M6×18 SCREW	1	1	1
15	PF8420M-D30515	螺母M6 NUT	1	1	1
16	PF8420M-D30516	抬压脚连杆 PRESSER BAR LIFTING LEVER	1	1	1
17	PF8420M-D30517	膝控连杆 KNEE LIFTER CONNECTING ROD	1	1	1
18	PF8420M-D30518	膝控连杆螺钉M5 SHOULDER SCREW M5	1	1	1
19	PF8420M-D30519	膝控提升左杠杆销 P-BAR LIFTING LEVER SHAFT	1	1	1

零件编号 (number)	零件品号 (Product number)	零件名称 (Product name)	8420D/DP/N-D3/EZN-D3 用	8450D/DP/N-D3/EZN-D3 用	8720D/DP/N-D3/EZN-D3 用
			量 (Number of 8420D/DP-N-D3/EZN-D3 used)	量 (Number of 8450D/DP-N-D3/EZN-D3 used)	量 (Number of 8720D/DP-N-D3/EZN-D3 used)
20	PF8420M-D30520	挡圈 SET SCREW COLLAR	1	1	1
21	PF8420M-D30521	螺钉M5×5 SCREW	2	2	2
22	PF8420M-D30522	拉簧 SPRING , EXTENSION	2	2	2
23	PF9990423	螺钉M5×14 SCREW	1	1	1
24	PF8420M-D30524	螺母M5 NUT	1	1	1
25	PF8420M-D30525	膝控提升杠杆 KNEE LIFTER LEVER	1	1	1
26	PF8420M-D30526	膝控提升杆 KNEE LIFTER BAR	1	1	1
27	PF8420M-D30527	螺钉M6 SHOULDER SCREW M6	1	1	1
28	PF8420M-D30528	调整螺钉 ADJUSTING SCREW	1	1	1
29	PF8420M-D30515	螺母M6 NUT	1	1	1
30	PF8420M-D30530	垫圈 WASHER , PLAIN	1	1	1
31	PF8420M-D30531	松线连杆组件(剪线款) T-RELEACE CONNECTING RODASSY	1	1	1
32	SCJ1003	卡簧E3(剪线款) RETANING RING E3	1	1	1
33	PF8420M-D30533	松线钢丝(剪线款) TENSION RELEASE WIRE	1	1	1
34	PF8420M-D30534	螺母(剪线款) SM4.76 NUT SM4.76	1	1	1
35	PF8420M-D30535	松线钢丝支架 LOOSE WIRE SUPPORT	1	1	1
36	PF8420M-D3010108	螺钉M5X8 SCREW M5X8	1	1	1
37	PF8420M-D30537	松线电线夹 LOOSEN THE WIRE CLIP	1	1	1
38	PF8420M-D30538	螺钉M6X8 SCREW M6X8	1	1	1

Feed mechanism

6 送布部件/feed mechanism



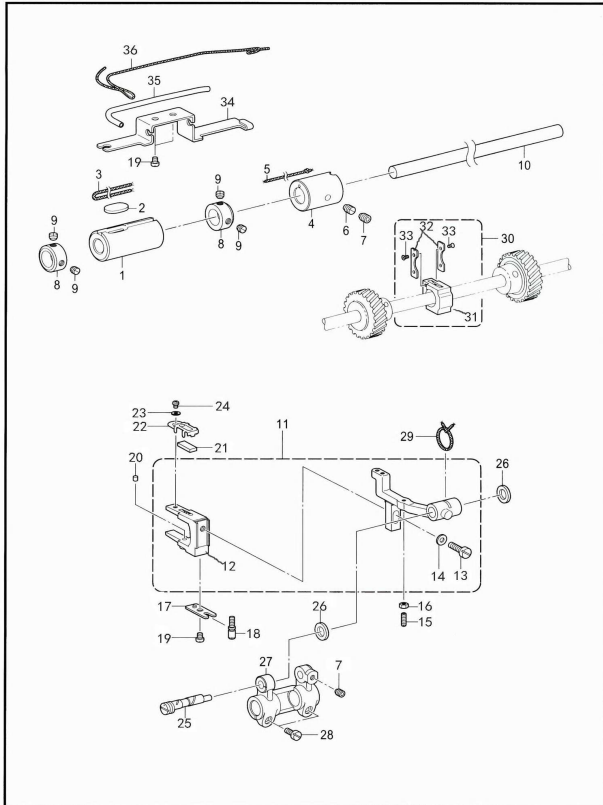
16

零件编号 (number)	零件品号 (Product number)	零件名称 (Product name)
01	PF8420M-D30601 (-5)	倒缝调节架组件 (-5)
09	PF8420M-D30609	切换器定位 STOPEER
10	PF8420M-D30538	螺钉M6×8 SCREW
11-1	PF8420M-D30611	送布大连杆 FEED ROCKER CONNECTING ROD
11-2	PF8720M-D30611	送布大连杆(大旋梭专用) FEED ROCKER CONNECTING ROD
12	PF8420M-D30612	滚针轴承 NEEDLE BEARING
13	PF68425E05	送布凸轮5 LEVEL FEED ECCENTRIC WHEEL 5
14	PF68425J1003	固定螺钉SM1/4*40-10 SCREW
15	PF8420M-D30212	螺钉M6×10 SCREW
16-1	PF8420M-D30616	送布曲柄5 FEEED ROCKER ARM5
16-2	PF8720M-D30616	送布曲柄 (大旋梭专用) FEEED ROCKER ARM7
17	PF8420M-D3030127	螺栓M6×20 BOLT
18	PF8420M-D30618	送布小连杆 LINK
19	PF8420M-D30619	送布曲柄销 SHAFT
20	SCJ1013	卡簧E8 RETAINING RING , E8
21-1	PF8420M-D30621 (4)	针距调节标盘 (-3机型专用) STITCH LENGTH DIAL 4
21-2	PF8420M-D30621 (5)	针距调节标盘 (-5机型专用) STITCH LENGTH DIAL 5
21-3	PF8720D30621	针距调节标盘 (大旋梭专用) STITCH LENGTH DIAL 7
22	PF8420M-D30622	针距调节螺杆 FEED REGULATING STUD
23	PF6150642	针距标盘套 FEED REGULATING SUPPORTER

零件编号 (number)	零件品号 (Product number)	零件名称 (Product name)
24	PF6150633	螺钉SM4.76 SCREW
25	PF555074	O型圈 O RING
26	PF9990406	止动销 POSITIONING PIN
27	PF555076	止动销弹簧 NOTCH SPRING
28	PF9990499	标盘锁杆 DIAL LOCK LEVER
29	PF8420M-D30629	标牌锁杆弹簧 SPRING
30-1	PF8420M-D30630	针距调节摆杆 (5) FEED REGULATOR 5
30-2	PF8720M-D30630	针距调节摆杆(7)(大旋梭专用) FEED REGULATOR 7
31	PF8720M-D30631	固定螺钉M6×10 SCREW
32	PF8420M-D30632	针距连杆 CONNECTING ROD
33	PF8420M-D30633	偏心轴 0.55 ECCENTRIC SHAFT
34	PF8420M-D30634	固定螺钉M6×6*1.0 SCREW
35	PF8420M-D30635	轴位螺钉M6 SHOULDER SCREW M6
36	PF8420M-D30636	倒缝扳手轴 SHAFT R-LEVER TR
37	SCJ1013	卡簧E8 RETAINING RING , E8-
38	PF8420M-D30638	垫圈 WASHER PLAIN S10
39	PF8420M-D30639	倒缝扳手轴垫片 SPACER
40	PF8420M-D30640	倒缝扳手 REVERSE STITCHING LEVER
41	PF8420M-D30641	倒缝扳手弹簧 SPRING
42	PF8420M-D30642	手柄导向 LEVER GUIDE
44	PF8420M-D3010110	螺钉M5×12 SCREW
45	PF8420M-D31523	平垫圈M5 WASHER PLAIN M5
46	PF8420M-D30646	橡皮塞 RUBBER CAP
47	PF8420M-D3010108	螺钉M5×8 SCREW
48	PF8420M-D30648	定位器 STOPPER
49	SCJ3008	平垫圈M5 WASHER PLAIN M5
50	PF8420M-D30650	拉簧 FEED REGULATOR SPRING ST
51	PF8420M-D30651	弹簧挂勾 SPRING HOOK
52	PF8420M-D30812	螺母M5 NUT M5

Feed shaft mechanan

7. 送布轴部件 / Feed shaft mechanism

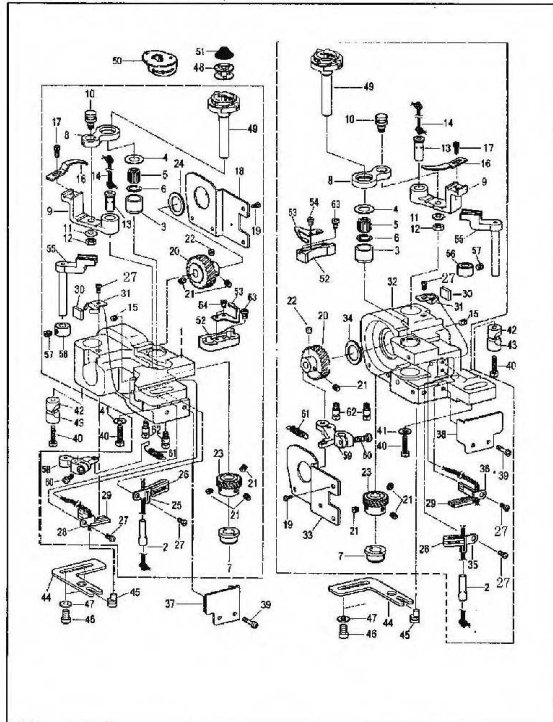


零件编号 (number)	零件品号 (Product number)	零件名称 (Product name)	8420 用量 (Number of 8420 used)	8450 用量 (Number of 8450 used)	8720 用量 (Number of 8720 used)
01	PF8420M-D30701	送布轴左轴套 BUSH,L:F-ROCKER SHAFT	1	1	1
02	PF8420M-D30702	油毡 FELT	1	1	1
04	PF8420M-D30704	送布轴右轴套 FEED ROCKER SHAFT BUSH,R	1	1	1
06	PF8420M-D30706	紧定螺钉M6 SCREW	1	1	1
07	PF8420M-D30210	螺钉M6×6 SCREW	1	1	1
08	PF8420M-D30708	送布轴挡圈 SET SCREW COLLAR	1	1	1
09	PF8420M-D30210	螺钉M6×6 SCREW	2	2	2
10	PF8420M-D30710	送布轴 FEED ROCKER SHAFT	1	1	1
11-1	PF84200711	牙架 (普通款) FEED BAR	1	1	1
11-2	PF8420M-D30711	牙架 (切线款) FEED BAR	1	1	1
12	PF8420M-D30712	抬牙叉 FEED BAR CONNECTING FORK	1	1	1
13	BF8007176	螺钉M6×14 SCREW	1	1	1
14	SCJ3022	平垫圈S6 WASHER,PLAIN S6	1	1	1
15	PF8420M-D30715	调整螺钉M3.5×12 SET SCREW	1	1	1
16	PF8420M-D30716	螺母M3.5 NUT M3.5	1	1	1
17	PF8420M-D30717	开叉板 FORKED PLATE	1	1	1
18	PF8420M-D30718	调整螺栓 ADJUSTING SCREW,HIGHT	1	1	1
19	PF1310D106	螺钉M4×6 SCREW	1	1	1
20	PF8420M-D30720	油毡 FELT	1	1	1
21	PF8420M-D30721	油毡 FELT	1	1	1

零件编号 (number)	零件品号 (Product number)	零件名称 (Product name)	8420 用量 (Number of 8420 used)	8450 用量 (Number of 8450 used)	8720 用量 (Number of 8720 used)
22	PF8420M-D30722	油线压架 FELT HOLDER	1	1	1
23	SCJ3010	平垫圈S3 WASHER,PLAIN S3	1	1	1
24	PF1310C248	螺钉M3×4 SCREW	1	1	1
25	PF8420M-D30725	牙架曲柄轴 FEED BAR SHAFT	1	1	1
26	PF8420M-D30726	轴向垫圈 THRUST RING	1	1	1
27	PF8420M-D30727	牙架曲柄 FEED ROCKER BASE ARM	1	1	1
28	PF8420M-D30728	螺钉M5×12 SCREW	2	2	2
29	PF6150526	油线4×4 L=180 WICK	1	1	1
31	PF8420M-D30731	牙架滑块 FEED BAR SLIDE BLOCK	1	1	1
32	PF8420M-D30732	滑块侧板 GUIDE PLATE	2	2	2
33	PF8420M-D30733	螺钉M2×4 S CREW M2X4	4	4	4
34	PF8420M-D30734	油线支架 WICK SUPPORT	1	1	1
35	SCJ5005	油管 L=100 OIL TUBE	1	1	1
36	PF6150526	油线4×4 L=400 WICK	1	1	1

Rotary hook mechanism

8 旋梭部件/Rotary hook mechanism



21

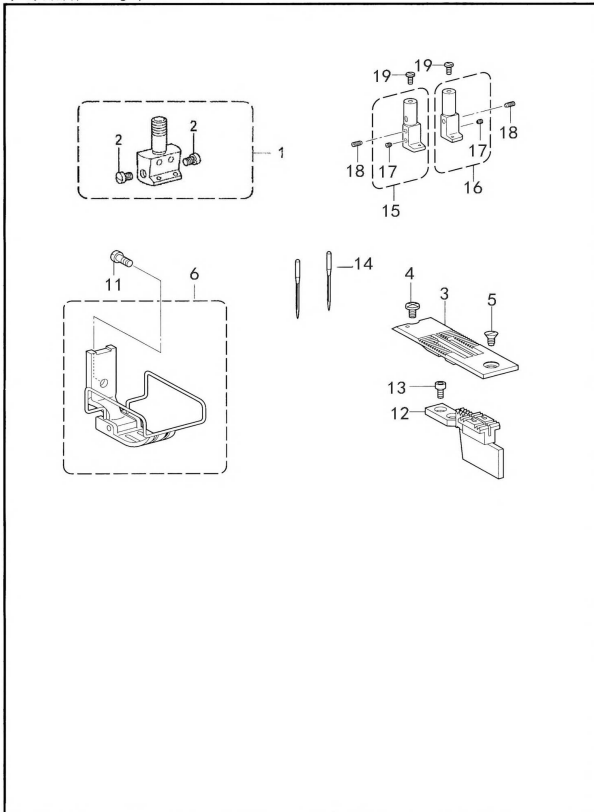
零件编号 (number)	零件品号 (Product number)	零件名称 (Product name)
01-1	PF8420D30801	左梭架(L) (弯刀剪线款) (小旋梭) HOOK SADDLE,L
01-2	PF8720D30801	左梭架(L) (弯刀剪线款) (2倍旋梭) HOOK SADDLE,L
01-3	PF8420D0801	左梭架(L) (普通款) (小旋梭) HOOK SADDLE,L
01-4	PF8720D0801	左梭架(L) (普通款) (2倍旋梭) HOOK SADDLE,L
03-1	PF68425H05	旋梭上轴套 (小旋梭) ROTARY HOOK SHAFT BUSH,U
03-2	PF68725H05	旋梭上轴套 (2倍旋梭) ROTARY HOOK SHAFT BUSH,U
04-1	PF68425H06	轴向垫圈B (小旋梭) 1.7mm THRUST RING , 1.7mm
04-2	PF2052H1004	轴向垫圈 1.1mm (2倍旋梭) THRUST RING,B,1.1mm
05-1	PF68425H07	滚针轴承 (小旋梭) (K9.525X12.7X9.525TN 0/+2) NEEDLE BEARING
05-2	PF68725H07	滚针轴承 (小旋梭) (K9.525X12.7X8 TN +2/+4)
06	PF68425H08	止动圈 RETAINING RING
07	PF8420M-D30807	旋梭下轴套 ROTARY HOOK SHAFT BUSH
08-1	PF8420M-D30808	分线勾连杆 (小旋梭) OPENER LINK
08-2	PF8720M-D30809	分线勾连杆 (2倍旋梭) OPENER LINK
09-1	PF8420M-D30809	分线勾座 (小旋梭) OPENER LEVER
09-2	PF8720M-D30810	分线勾座 (2倍旋梭) OPENER LEVER
10	PF8420M-D30810	分线勾连杆轴 SHAFT,O-LINK
11	SCJ3002	平垫圈S4.76 WASHER PLAIN,S4.76
12	PF8420M-D30812	六角螺母M5-3 NUT M6
13	PF8420M-D30813	分线勾短轴 O-LEVER SHAFT

零件编号 (number)	零件品号 (Product number)	零件名称 (Product name)
15	PF68425H17	螺钉M5×10 SCREW
16	PF8420M-D30816	分线勾 OPENER
17	PF68425H52	螺钉SM3.57×8 BOLT, SOCKET SM3.57×8
18	PF8420M-D30818	左旋梭底座盖 ROTARY HOOK BASE COVER,L
19	PF8420M-D30819	螺钉M3×6 SCREW
20	PF8420M-D30820	螺旋大齿轮 SPIRAL GEAR SCREW ASSY
21	BF310164547	螺钉M6*0.75×5 SCREW
22	BF310164555	尖头螺钉M6*0.75×5.5
23	PF8420M-D30823	小齿轮 PINION GEAR SCREW ASSY
24	PF8420M-D30824	垫圈L THRUST WASHER,L
25	PF8420M-D30825	油毡架UL FELT UL ASSY
26	PF8420M-D30826	油毡 FELT
27	PF1310D106	螺钉M4×6 SCREW
28	PF8420M-D30828	油毡架DL FELT DL ASSY
29	PF8420M-D30829	油毡 FELT
30	PF8420M-D30830	油毡 FELT
31	PF8420M-D30831	油毡架 FELT SUPPORT
32-1	PF8420D30832	左梭架(R) (弯刀剪线款) (小旋梭) HOOK SADDLE,R
32-2	PF8720D30832	左梭架(R) (弯刀剪线款) (2倍旋梭) HOOK SADDLE,R
32-3	PF8420D0832	左梭架(R) (普通款) (小旋梭) HOOK SADDLE,R
32-4	PF8720D0832	左梭架(R) (普通款) (2倍旋梭) HOOK SADDLE,R
33	PF8420M-D30833	旋梭底座盖R ROTARY HOOK BASE COVER,R
34	PF8420M-D30834	垫圈 SPECER
35	PF8420M-D30835	油毡架UR FELT UR ASSY
36	PF8420M-D30836	油毡架DR FELT DR ASSY
37	PF8420M-D30837	旋梭底座盖FL ROTARY HOOK BASE COVER,FL
38	PF8420M-D30838	旋梭底座盖FR ROTARY HOOK BASE COVER,FR
39	PF8420M-D30839	螺钉M4×12 SCREW
40	PF8420M-D30840	螺钉M6×25 SCREW
41	PF8420M-D31523	垫圈6.35 WASHER,PLAIN 6.35
42	PF8420M-D30842Z	梭架紧固上、下套组件 PINCH SLEEVE,U/D
44	PF8420M-D30844	调节板 NEEDLE UPPER POSITIONING PLATE
45	PF8420M-D30845	调节轴 NEEDLE UPPER POSITIONING SHAFT
46	PF8420M-D30846	螺钉M6×10 SCREW
47	SCJ3002	平垫圈S6 WASHER,PLAIN S6
48-1	PF68425H41	梭心 (小旋梭) BOBBIN
48-2	PF68725H41	梭心 (2倍旋梭) BOBBIN
49-1	PF68423H2301	旋梭组件 (-3进口梭) (美规旋梭) (D3/D4剪线款) HOOK COMPLETE
49-10	PF68455H23	旋梭组件 (3-/5旋梭) (欧规旋梭) (D/DP普通款) HOOK COMPLETE
49-11	PF68725H23	旋梭组件 (2倍旋梭) (美规旋梭) (D/DP普通款) HOOK COMPLETE
49-12	PF68755H23	旋梭组件 (2倍旋梭) (欧规旋梭) (D/DP普通款) HOOK COMPLETE

零件编号 (number)	零件品号 (Product number)	零件名称 (Product name)
49-2	PF68425H2301	旋梭组件 (-5进口梭) (美规旋梭) (D3/D4剪线款) HOOK COMPLETE
49-3	PF8420M-D30849	专用旋梭组件 (3-/5进口梭) (欧规旋梭) (D3/D4剪线款) HOOK COMPLETE
49-4	PF8450M-D30849	旋梭组件 (3-/5进口梭) (欧规旋梭) (D3/D4剪线款) HOOK COMPLETE
49-5	PF68725H2301	旋梭组件 (2倍进口梭) (美规旋梭) (D3/D4剪线款) HOOK COMPLETE
49-6	PF8720M-D30849	专用旋梭组件 (2倍进口梭) (欧规旋梭) (D3/D4剪线款) HOOK COMPLETE
49-7	PF8750D30849	旋梭组件 (2倍进口梭) (欧规旋梭) (D3/D4剪线款) HOOK COMPLETE
49-8	PF68423H23	旋梭组件 (-3旋梭) (美规旋梭) (D/DP普通款) HOOK COMPLETE
49-9	PF68425H23	旋梭组件 (-5旋梭) (美规旋梭) (D/DP普通款) HOOK COMPLETE
50-1	PF68755H2302	梭心套 (与PF68755H23配套) BOBBIN CASE
50-2	PF68455H2302	梭心套 (与PF68455H23配套) BOBBIN CASE
51-1	PF8420M-D30851	梭心簧 BOBBIN SPRING
51-2	PF8720M-D30851	梭心簧 (2倍旋梭) BOBBIN SPRING
52	PF8420M-D30852	动刀座 MOVABLE KNIFE BRACKET
53	PF8420M-D30853	板弹簧 SPRING,PLATE
54	PF8420M-D30854	螺钉SM1/8*40×3 SCREW
55	PF8420M-D30855	动刀杆 MOVABLE KNIFE BAR
56	PF6150404	紧圈 SET SCREW COLLAR
57	PF8420M-D30212	固定螺钉M6×6 SET SCREW SOCKET(FT)
58	PF8420M-D30858	切线杠杆 L THREAD TRIMMER LEVER,L
59	PF8420M-D30859	切线杠杆 R THREAD TRIMMER LEVER,R
60	PF1310J48	螺钉M5×12 SCREW
61	PF8420M-D30861	弹簧 SPRING
62	PF8420M-D30862	定位螺钉 STOPPER SCREW
63	PF1310B22	螺钉M4×8 SCREW

GAUGE PARTS

9. 牙齿部件 / Gauge parts

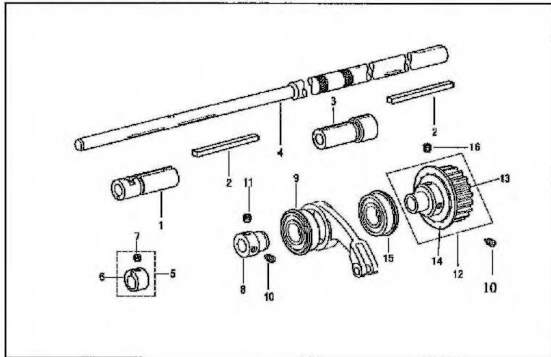


零件编号 (number)	零件品号 (Product number)	零件名称 (Product name)	8420/8720 用量 (Number of 8420/8720 used)	8450 用量 (Number of 8450 used)	8750用量 (Number of 8750 used)
01-1	PF68425G01	针接头组件 1/4 NEEDLE CLAMP ASSY	1	1	1
01-2	PF68425G0101	针接头组件 1/8 NEEDLE CLAMP ASSY	1	1	1
01-3	PF68425G0102	针接头组件 5/32 NEEDLE CLAMP ASSY	1	1	1
01-4	PF68425G0103	针接头组件 3/16 NEEDLE CLAMP ASSY	1	1	1
01-5	PF68425G0104	针接头组件 5/16 NEEDLE CLAMP ASSY	1	1	1
01-6	PF68425G0105	针接头组件 3/8 NEEDLE CLAMP ASSY	1	1	1
01-7	PF68425G0106	针接头组件 1 NEEDLE CLAMP ASSY	1	1	1
02	PF68425H26	螺钉SM3.57 SCREW	2	2	2
03-1	PF8420M-D30903	针板 1/4 NEEDLE PLATE	1	1	1
03-2	PF68425G02	针板 1/4 NEEDLE PLATE	1	1	1
03-3	PF68425G0201	针板 1/8 NEEDLE PLATE	1	1	1
04	PF68425G03	螺钉SM4.37 SCREW	1	1	1
05	PF5550637	螺钉SM4.37-40×8 SCREW	1	1	1
06-1	PF8420M-D30906	压脚组件 1/4 PRESSER FOOT ASSY	1	1	1
06-2	PF68425G05	压脚组件 1/4 PRESSER FOOT ASSY	1	1	1
06-3	PF68425G0501	压脚组件 1/8 PRESSER FOOT ASSY	1	1	1
11	PF68425G06	螺钉SM3.57 SCREW	1	1	1
12-1	PF8420M-D30912	送布牙Φ2.0 1/4 FED DOG	1	1	1
12-2	PF8720M-D30912	送布牙Φ2.4 1/4 FED DOG	1	1	1
12-3	PF68425G07	送布牙Φ2.0 1/4 FED DOG	1	1	1

零件编号 (number)	零件品号 (Product number)	零件名称 (Product name)	8420/8720 用量 (Number of 8420/8720 used)	8450 用量 (Number of 8450 used)	8750用量 (Number of 8750 used)
12-4	PF68725G07	送布牙Φ2.5 1/4 FED DOG	1	1	1
13	PF68425G08	螺钉3.18×7 SCREW	1	1	1
14-1	PFDTDP514	机针 DP×5 14# NEEDLEDPX5 14#	2	2	2
14-2	PFDTDP519	机针 DP×5 19# NEEDLEDPX5 19#	2	2	2
14-3	PFDTDP522	机针 DP×5 22# NEEDLEDPX5 22#	2	2	2
15-1	PF68455G01	针夹组件L 1/4 NEEDLE CLAMP ASSY L	1	1	1
15-2	PF68455G0101	针夹组件L 1/8 NEEDLE CLAMP ASSY L	1	1	1
16-1	PF68455G02	针夹组件R 1/4" NEEDLE CLAMP ASSYT R	1	1	1
16-2	PF68455G0201	针夹组件R 1/8" NEEDLE CLAMP ASSY R	1	1	1
17		固定螺钉SM1/8*40-4 SET SCREW(CP) SM1/8-40×4	2	2	2
18		螺钉SM1/8*40-4.5 SET SCREW SM1/8-40	2	2	2
19		螺钉M3*0.6-7.5 SET SCREW SM1/8-40	2	2	2

LOWER SHAFT MECHANISM

10, 下轴部件/LOWER SHAFT MECHANISM

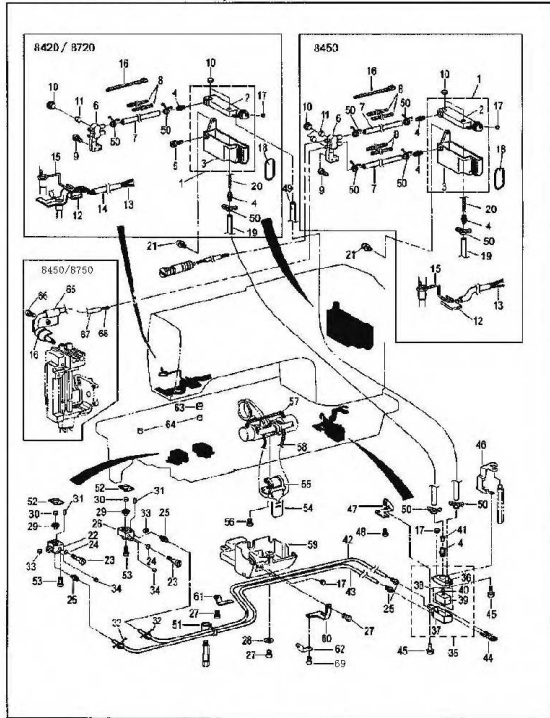


24

零件编号 (number)	零件品号 (Product number)	零件名称 (Product name)	8420 用量 (Number of 8420 used)	8450 用量 (Number of 8450 used)	8720/8750用量 (Number of 8720/8750 used)
01	PF8420M-D31001	左梭架套 ROTARY HOOK BASE BUSH,L	1	1	1
02	PF8420M-D31002	油毡 FELT	1	1	1
03	PF8420M-D31003	右梭架套 ROTARY HOOK BASE BUSH,R	1	1	1
04-1	PF8420M-D31004	下轴 LOWER SHAFT	1	1	1
04-2	PF8420M-D3100401	下轴 LOWER SHAFT	1	1	1
06	PF8420M-D31006	抬牙凸轮 F-LIFTING ECCENTRIC WHEEL	1	1	1
07	PF8420M-D31007	螺钉M6 SET SCREW	1	1	1
08	PF8420M-D31008	轴承套 BALL BEARING BUSH	1	1	1
09	PF20520923	球轴承6004ZZNR BALL BEARING,THRUST 6004ZZNR	1	1	1
10	PF8420M-D31010	固定螺钉M6×10 SET SCREW	1	1	1
11	PF8420M-D30210	螺钉M6×6 SCREW	1	1	1
12	PF8420M-D31012	下同步轮组件 TIMING PULLEY ASSY,D	1	1	1
15	PF20520322	球轴承6204ZZNR BALL BEARING,THRUST 6004ZZNR	1	1	1
16	PF8420M-D31010	固定螺钉M6×10 SET SCREW	2	2	2

Lubrication

1.1 供油润滑部件/Lubrication



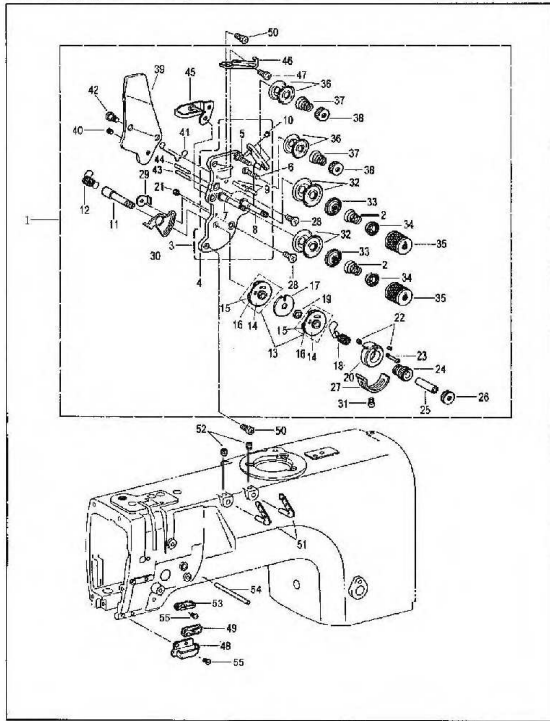
26

零件编号 (number)	零件品号 (Product number)	零件名称 (Product name)	8420 用量 (Number of 8420 used)	8450/8750 用量 (Number of 8450/8750 used)	8720用量 (Number of 8720 used)
01	PF8420M-D31101	油罐组件 OIL TANK ASSY	1	1	1
04	PF8420M-D31104	供油口 OIL FEEDING PIPE	1	1	1
05	PF8420M-D31105	螺栓M8×12 BOLT	1	1	1
06	PF8420M-D31106	油管接头 OIL TERMINAL	1	1	1
07	SCJ5013	油管 L=135 OIL TUBE,L=135	1	1	1
08	PF68425K61	棉油线 FELT	1	1	1
09	PF8420M-D3010108	螺钉M5×8 SCREW	1	1	1
10	PF5550111	橡皮塞12.5 RUBBER CUP,12.5	2	2	2
11	PF68425K35	油毡 ROTARY HOOK SHAFT FELT	1	1	1
12	PF8420M-D31112	油毡组件 FELT ASSY	1	1	1
13	PF68425K61	油线6×6 L=1100 WICH	1	1	1
14	SCJ5010	油管 L=400 OIL TUBE,L=400	1	1	1
15	PF8420M-D31115	油毡压架 FELT SUPPORT	1	1	1
16	SCJ5031	尼龙扎带 FASTENING BAND	1	1	1
17	PF8420M-D31117	橡皮塞8 RUBBER CUP,8	1	1	1
18	PF68425K27	O型圈 P38 O RING,P38	1	1	1
19	SCJ5013	油管 L=210 OIL TUBE,L=210	1	1	1
20	PF90000833	羊毛油线 L=400 WICH,L=400	1	1	1
21	PF8420M-D3010108	带垫圈螺栓M5×10DB SCREW PAN(S/P WASHER)	1	1	1
22	PF8420M-D31122	集油器L OLL BLOCK.L	1	1	1

零件编号 (number)	零件品号 (Product number)	零件名称 (Product name)	8420 用量 (Number of 8420 used)	8450/8750 用量 (Number of 8450/8750 used)	8720用量 (Number of 8720 used)
23	PF8420M-D31123	油量调整螺栓 OIL ADJUSTING SCREW	1	1	1
24	PF8420M-D31124	O型圈 P4 O RING,P4	1	1	1
25	PF8420M-D31125	油嘴管 OIL FEEDING PIPE	1	1	1
26	PF8420M-D31126	集油器R OLL BLOCK.R	1	1	1
27	PF8420M-D30846	螺钉M6×10 SCEW	1	1	1
29	PF8420M-D31129	橡皮垫片 RUBBER PACKING	1	1	1
30	PF68425K35	旋梭轴垫片 ROTARY HOOK SHAFT FELT	1	1	1
32	PF8420M-D31132	油管夹 TUBE CLIP	1	1	1
33	PF8420M-D31133	橡皮塞6.3 RUBBER CAP,6.3	1	1	1
34	PF8420M-D31134	橡皮塞4.2 RUBBER CAP,4.2	1	1	1
35	PF8420M-D31135	副油罐组件 SUB-TANK SET	1	1	1
41	PF8420M-D31141	油门垫片 VALVE PACKING	1	1	1
42	SCJ5011	油管 L=400 OIL TUBE,L=400	1	1	1
43	SCJ5011	油管 L=500 TUBE,L=500	1	1	1
44	PF69349	油线 L=1250 WICH,L=1250	1	1	1
45	PF8420M-D31145	带垫圈螺栓M4×8DA SCREW PAN(S/P WASHER)	1	1	1
46	PF8420M-D31146	副油管安装架A SUB-TANK SETTING PLATE A	1	1	1
47	PF8420M-D31147	副油管安装架B SUB-TANK SETTING PLATE B	1	1	1
48	PF8420M-D30538	螺钉M6×8 SCREW	1	1	1
49	SCJ5013	油管 L=242 OIL TUBE,L=242	1	1	1
50	PF9990881	油管夹 TUBE CLIP	1	1	1
51	PF8420M-D31151	油管固定夹 TUBE SUPPORT	1	1	1
52	PF8420M-D31152	旋梭台垫片 ROTARY HOOK BASE D PACKING	1	1	1
53	PF8420M-D31153	螺钉M4×16 SCREW	1	1	1
54	PF8420M-D31154	油毡 FELT	1	1	1
55	PF8420M-D31155	油毡压板 FELT SUPPORT	1	1	1
56	PF8420M-D3010108	螺钉M5×8 SCREW	1	1	1
57	PF68425K61	油线4X4 L=250	1	1	1
58	PF69349	油线4X4 L=350	1	1	1
59	PF8420M-D31159	油盒 OIL COVER	1	1	1
60	PF8420M-D31160	油管压架A TUBE SUPPORT,A	1	1	1
61	PF8420M-D31161	油管压架B TUBE SUPPORT,B	1	1	1
62	PF8420M-D31162	油管导向 TUBE GUIDE	1	1	1
63	PF8420M-D31163	油塞 OIL CAP	1	1	1
64	PF8420M-D31164	油毡 FELT	1	1	1
65	PF8450M-D31165	油管支架 TUBING STENT	1	1	1
66	PF8420M-D31153	螺钉M4×16 SCREW	1	1	1

Therading mechanism

12 穿线部件/Therading mechanism

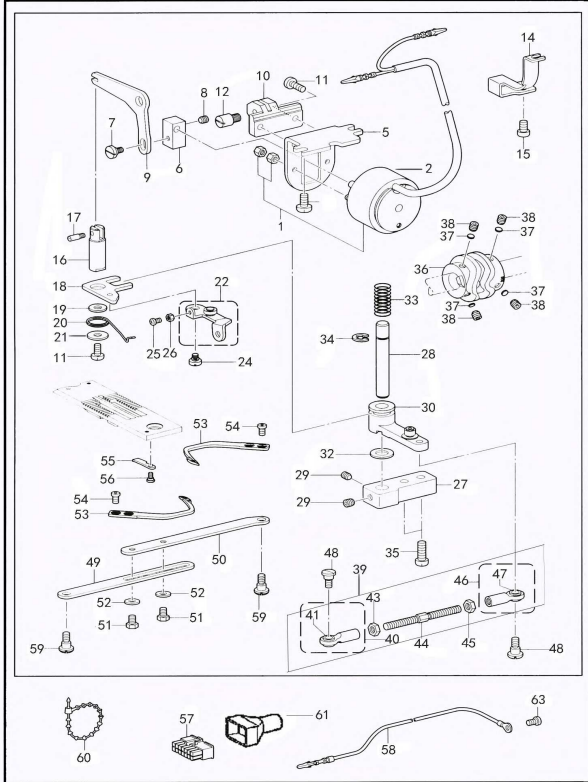


29

零件编号 (number)	零件品号 (Product number)	零件名称 (Product name)	8420 用量 (Number of 8420 used)	8450/8750 用量 (Number of 8450/8750 used)	8720用量 (Number of 8720 used)
01-1	PF8420M-D31201 (-3)	夹线器组件-3 UPPER THREAD TENSION ASSY-3	1	1	1
01-2	PF8420M-D31201	夹线器组件-5 UPPER THREAD TENSION ASSY-5	1	1	1
02-1	PF8420M-D3120201	夹线弹簧 1.0 TENSION SPRING	1	1	1
02-2	PF8420M-D31202	夹线弹簧 1.2 TENSION SPRING	1	1	1
48	PF8420M-D31248	线导向 M THREAD GUIDE,M	1	1	1
49	PF8420M-D31249	过线勾油毡 FELT	1	1	1
50	PF8420M-D3010108	螺钉M5×8 SCREW FLAT M5×8	1	1	1
51	PF8420M-D31251	三眼线勾 THREAD RETAINER	2	2	2
52	PF8420M-D30210	螺钉M6×10 SET SCREW, SOCKET(FT)M6×10	2	2	2
53	PF8420M-D31253	线导向D THREAD GUIDE,D	1	1	1
54	PF8420M-D31254	松线轴 BAR,TENSION RELEASE	1	1	1
55	PF8420M-D31255	螺钉M5×8 SCREW FLAT M5×8	1	1	1

Thread trimmer mechanism

13. 切线及松线装置部件 / Thread trimmer mechanism

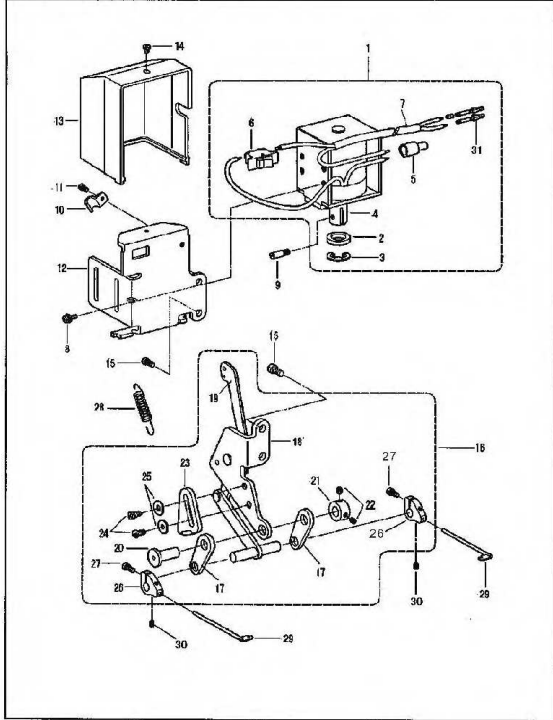


零件编号 (number)	零件品号 (Product number)	零件名称 (Product name)	8420N-D3-3/8420N-D3-5 用	8450N-D3-3/8450N-D3-5 用	8720N-D3/8750N-D3用量
			量 (Number of 8420N-D3-3/8420N-D3-5 used)	量 (Number of 8450N-D3-3/8450N-D3-5 used)	(Number of 8720N-D3/8750N-D3 used)
01	PF8420M-D31301	切线电磁铁组件 THREAD TRIMMER SOLENOID	1	1	1
11	PF8420M-D3010110	螺钉M5×10 SET SCREW, SOCKET (FT) M5×10	1	1	1
13	PF8420M-D30846	螺钉M6×10 SCREW, PAN M6×10	2	2	2
14	PF8420M-D31314	线夹 CORD HOLDER	1	1	1
15	PF8420M-D30538	螺钉M6×8 SCREW, PAN M6×8	1	1	1
16	PF8420M-D31316	切线轴 DRIVING ROD	1	1	1
17	PF8420M-D31317	销 PLUNDER PIN	1	1	1
18	PF8420M-D31318	切线轴板 DRIVING ROD PLATE, TR	1	1	1
19	PF8420M-D31319	垫圈 WASHER	1	1	1
20	PF8420M-D31320	弹簧 SPRING	1	1	1
21	PF8420M-D31321	垫圈 WASHER	1	1	1
22	PF8420M-D31322	松线杆组件 TENSION RELEASE LEVER ASSY	1	1	1
24	PF8420M-D31324	轴位螺钉M4 SHOULDER SCREW, M4	1	1	1
25	PF8420M-D31325	螺钉M3.5×12 SCREW, PAN M3.5×12	1	1	1
26	PF8420M-D31326	螺母M3.5 NUT, M3.5	1	1	1
27	PF8420M-D31327	主杆轴架 MAIN LEVER SUPPORT SHAFT	1	1	1
28	PF8420M-D31328	主杆轴 MAIN LEVER SHAFT	1	1	1
29	PF8420M-D30210	螺钉M6×6 SET SCREW, SOCKET (FT) M6×6	1	1	1
30	PF8420M-D31330	主杆组件 MAIN LEVER ASSY, KNIFE	1	1	1
32	PF03030850	橡胶垫圈 RUBBER	1	1	1

零件编号 (number)	零件品号 (Product number)	零件名称 (Product name)	8420N-D3-3/8420N-D3-5 用 量 (Number of 8420N-D3-3/8420N- D3-5 used)	8450N-D3-3/8450N-D3-5 用 量 (Number of 8450N-D3-3/8450N- D3-5 used)	8720N-D3/8750N-D3用量 (Number of 8720N-D3/8750N-D3 used)
33	PF8420M-D31333	弹簧 SPRING	1	1	1
34	SCJ1013	卡簧 E8 RETAINING RING E8	1	1	1
35	PF1900A0325	螺钉M6×16 SCREW,PAN M6×16	2	2	2
36	PF8420M-D31336	切线凸轮 THREAD TRIMMER CAM	1	1	1
38	PF8420M-D30210	螺钉M6×10 SET SCREW,SOCKET(FT)M6×10	2	2	2
39	PF8420M-D31339	长度调节连杆组件	1	1	1
40	PF8420M-D31340	球节连杆组件L ROUND JOINT ASSY,L	1	1	1
43	PF8420M-D31343	左旋螺母M6 NUT,M6 LEFT	1	1	1
44	PF8420M-D31344	长度调节连杆 L-ADJUSTING CONNECTING ROD	1	1	1
45	PF8420M-D31345	螺母M6 NUT,M6	1	1	1
46	PF8420M-D31346	球接连杆组件R ROUND JOINT ASSY,R	1	1	1
48	PF8420M-D31348	轴位螺钉M6 SHOULDER SCREW,M6	1	1	1
49	PF8420M-D31349	切线连杆R T-TRIMMER CONNECTING ROD,R	1	1	1
50	PF8420M-D31350	切线连杆L T-TRIMMER CONNECTING ROD,L	1	1	1
51	PF8420M-D31351	六角螺栓M5×8 BOLT,M5×8	2	2	2
52	SCJ3022	平垫圈S5 (Φ6*Φ10.5*1.1) WASHER PLAIN M5	2	2	2
53	PF8420M-D3135301	动刀 MOVABLE KNIFE	1	1	1
54	PF8420M-D31354	螺钉SM9/64×40×4.2 SCREW,W/Socket SM9/64×40×4.2	2	2	2
55	PF8420M-D3135501	定刀 FIXED KNIFE	2	2	2
56	PF8420M-D31356	轴位螺钉SM2.38 SHOULDER SCREW,SM2.38	2	2	2
57	PF90000191	12芯插头 CONNECTOR	1	1	1
58	PF8420M-D31358	接地线组件 GROUND WIRE ASSY	1	1	1
59	PF8420M-D31359	螺钉M5×8 SCREW,PAN M5×8	1	1	1
60	SCJ5031	线夹 BEAD BAND	1	1	1
61	PF90000192	插头护套 PLUG SHEATH	1	1	1
63	PF8420M-D3010108	螺钉 SCREW	1	1	1

THREAD WIPER MECHANISM

14 扫线装置 / THREAD WIPER MECHANISM

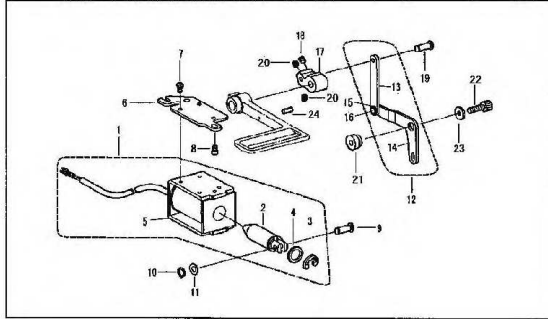


35

零件编号 (number)	零件品号 (Product number)	零件名称 (Product name)	8450N-D3/8450EZN-D3/8750N-D3/8750EZN-D3 用量		
			8420N-D3/8420EZN-D3 用量 (Number of 8420N-D3/8420EZN-D3 used)	(Number of 8450N-D3/8450EZN-D3/8750N-D3/8750EZN-D3 used)	8720N-D3/8720EZN-D3用量 (Number of 8720N-D3/8720EZN-D3 used)
01	PF8420M-D31401	扫线电磁铁组件 THREAD WIPER SOLENOID ASSY	1	1	1
15	PF8450M-D30404	螺钉M5×10 SCREW,PAN M5×10	2	2	2
16	PF8420M-D31416	电磁铁连杆组件 THREAD WIPER SOLENOID ASSY	1	1	1

QUICK REVERSE MECHANISM

15 倒缝装置/QUICK REVERSE MECHANISM

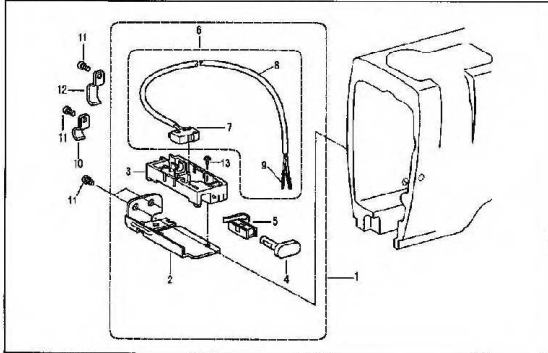


37

零件编号 (number)	零件品号 (Product number)	零件名称 (Product name)	8420N-D3/8420EZN-D3 用量 (Number of 8420N-D3/8420EZN-D3 used)	8450N-D3/8450EZN-D3 用量 (Number of 8450N-D3/8450EZN-D3 used)	8420N-D3/8420EZN-D3用量 (Number of 8420N-D3/8420EZN-D3 used)
01	PF8420M-D31501	倒缝电磁铁组件 QUICK REVERSE SOLENOID ASSY	1	1	1
08	PF8420M-D30846	螺钉M6×10 SCREW,PAN M6×10	2	2	2
12	PF8420M-D31512	电磁铁曲杆组件 SOLENOID LEVER ASSY	1	1	1
17	PF8420M-D31517	倒缝曲柄 QUICK REVERSE LEVER	1	1	1
18	PF8420M-D30631	螺钉M6×10 SET SCREW,SOCKET(CN) M6×10	2	2	2
19	PF8420M-D31519	连接销 PIN	1	1	1
20	PF8420M-D30210	螺钉M6×10 SET SCREW,SOCKET(CN) M6×10	1	1	1
21	PF8420M-D31521	电磁铁曲杆轴 SOLENOID LEVER SHAFT	1	1	1
22	PF8420M-D3030129	螺钉M6×20 BOLT,SOCKET M6×20	1	1	1
23	PF8420M-D31523	垫圈6 WASHER,PLAIN 6	1	1	1

QUICK REVERSE SWITCH MECANISM

16 倒缝开关装置/QUICK REVERSE SWITCH MECANISM

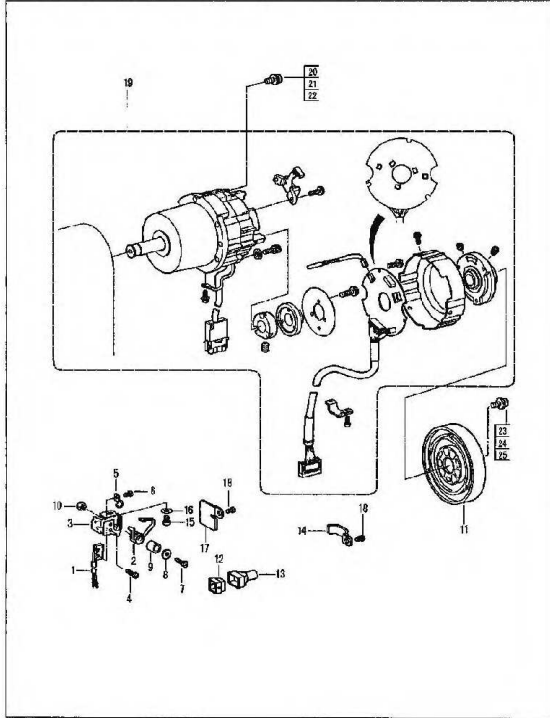


37

零件编号 (number)	零件品号 (Product number)	零件名称 (Product name)
01	PF8420M-D31601	倒缝开关组件 REVERSE ACTUATOR ASSY
10	PF99901511	线夹(短) CORD HOLDER
11	PF8420M-D3010112	螺钉M5×6 SCREW,PAN M5×6
12	PF99901160	线夹(长) CORD HOLDER

The motor and the safety switch

17 马达与安全开关 / THE MOTOR AND THE SAFETY SWITCH

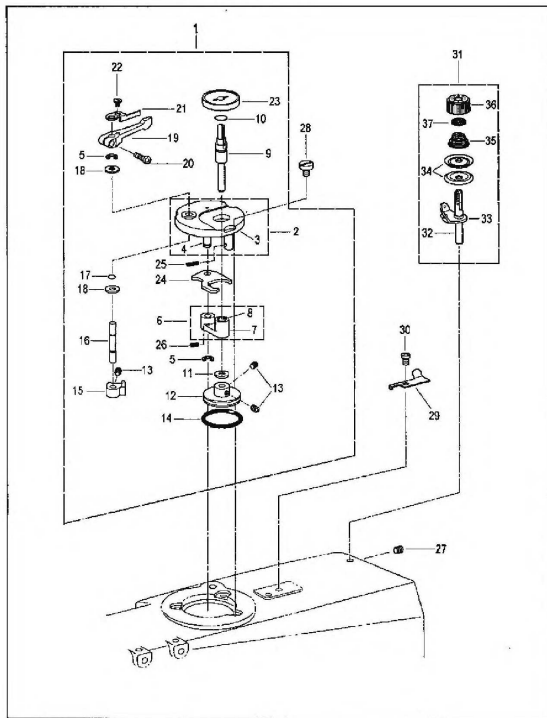


39

零件编号 (number)	零件品号 (Product number)	零件名称 (Product name)	8420 用量 (Number of 8420 used)	8450/8750 用量 (Number of 8450/8750 used)	8720 用量 (Number of 8720 used)
01	PF8420M-D31701	微动开关组件 MICRO SWITCH ASSY	1	1	1
11	PF8420M-D31711L	手轮 PULLEY,CDD	1	1	1
12	PF8420M-D31712	四芯插头 CONNECTOR	1	1	1
13	PF8420M-D31713	护套 PLUG SHEATH	1	1	1
14	PF99901160	电线夹 CORD HOLDER	1	1	1
15	PF8420M-D30538	螺钉M6×8 SCREW,PAN M6×8	1	1	1
16	PF8420M-D31716	平垫圈S6 WASHER,PLAIN S6	1	1	1
17	PF8420M-D31717	电线固定夹 CORD HOLDER	1	1	1
18	PF8420M-D3010108	螺钉M5×8 SCREW,PAN M5×8	1	1	1
19	PF8420M-D31719	电机组件 MOTOR ASSY,CDD-HT	1	1	1
20	PF9990104	螺钉M5×18 SCREW,PAN M5×18	5	5	5
21	SCJ3002	弹簧垫圈 5 WASHER SPRING 5	5	5	5
22	SCJ3008	平垫圈 5 WASHER,PLAIN 5	5	5	5
23	PF99901426	螺栓M4×10 SCREW,PAN M4×10	3	3	3

Bobbin winder mechanism

18 卷线部件/Bobbin winder mechanism

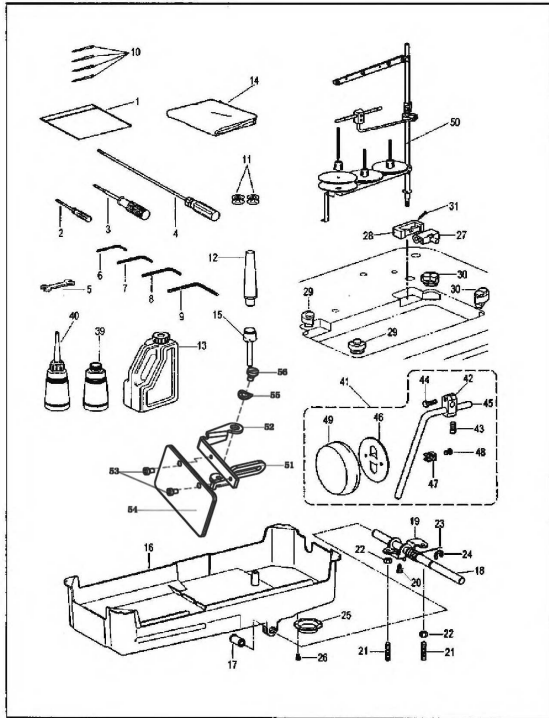


41

零件编号 (number)	零件品号 (Product number)	零件名称 (Product name)	8420 用量 (Number of 8420 used)	8450/8750 用量 (Number of 8450/8750 used)	8720 用量 (Number of 8720 used)
01	PF99901001	绕线器组件 BOBBIN WINDER UNIT	1	1	1
27	PF8420M-D30521	固定螺钉M5×5 SET SCREW, SOCKET (FT) M5×5	1	1	1
28	PF8420M-D31828	固定螺钉 BOBBIN WINDER FIXED SCREW	3	3	3
29	PF99901026	切刀 KNIFE	1	1	1
30	PF8420M-D3010112	螺钉M5×6 SCREW, PAN M5×6	1	1	1
31	PF99901028	夹线器组件 BOBBIN WINDER TENSION ASSY	1	1	1

Accessories

19 附件/Accessories



43

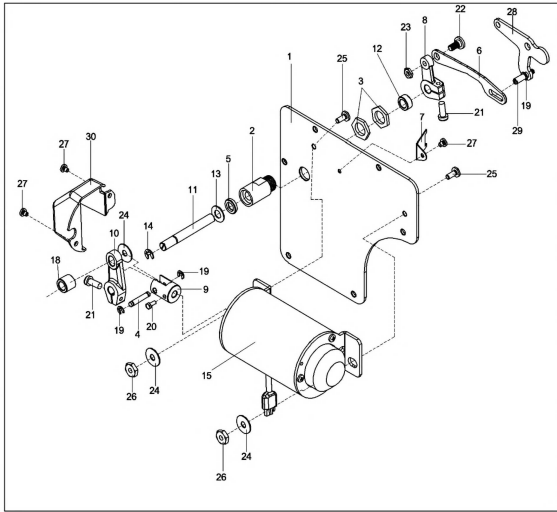
零件编号 (number)	零件品号 (Product number)	零件名称 (Product name)	8420 用量 (Number of 8420 used)	8450/8750 用量 (Number of 8450/8750 used)	8720用量 (Number of 8720 used)
01	PF5550102301	附属品塑料袋ACCESSORY BAG	1	1	1
02	PF55501018	小螺丝刀 SCREW-DRIVER	1	1	1
03	PF68425Z103	螺丝刀 SCREW-DRIVER	1	1	1
04	PF68425Z104	大螺丝刀 SCREW-DRIVER	1	1	1
05	PF7811937	双头扳手8×9 WRENCH,8×9	1	1	1
06	PF68425Z108	内六角扳手 2 HEXAGONAL WRENCH	1	1	1
07	BF700M1923	内六角扳手 2.5 HEXAGONAL WRENCH	1	1	1
08	PF68425Z109	内六角扳手 HEXAGONAL WRENCH	1	1	1
09	BF700M1912	内六角扳手 5 HEXAGONAL WRENCH,5	1	1	1
10-1	PFDTDP514	机针 DP×5 14# (随机) NEEDLE	1	1	1
10-2	PFDTDP519	机针 DP×5 19# (随机) NEEDLE	1	1	1
10-3	PFDTDP522	机针 DP×5 22# (随机) NEEDLE	1	1	1
11-1	PF68425H41	梭芯 (随机) BOBBIN	2	2	2
11-2	PF68725H41	梭芯 (随机) BOBBIN	2	2	2
12	PF68425Z113	机头支柱 HEAD REST	1	1	1
13	PF55501022	油罐组件 OIL TANK ASSY	1	1	1
14	PFPC1062	机头罩 HEAD COVER	1	1	1
15	PF68425Z120	膝控提升顶杆 KNEE LIFTER COMPLYING BAG	1	1	1
16	PF8420M-D31916	油盘 OIL PAN	1	1	1
17	PF68425Z12101A	轴套 BUSH	2	2	2

零件编号 (number)	零件品号 (Product number)	零件名称 (Product name)	8420 用量 (Number of 8420 used)	8450/8750 用量 (Number of 8450/8750 used)	8720 用量 (Number of 8720 used)
18	PF8420M-D31918	膝控横轴 KNEE LIFTER SHAFT	1	1	1
19	PF8420M-D31919	膝控 KNEE LIFTER	1	1	1
23	PF68425Z12107	复位弹簧 TWIST,SPRING	1	1	1
24	SCJ1014	挡圈 E10 RETAINING RING,E10	1	1	1
25	PF68425Z12109	放油口 DRAIN	1	1	1
26	PF8420M-D31926	螺钉M4×5 SCREW,M4×5	3	3	3
27	PF5550101	机头铰链 HEAD HINGE	1	1	1
28	PF68425Z127	机头铰链套 RUBBER CUSHION	1	1	1
29	PF99901710	头部防震垫 HEAD CUSHION	1	1	1
30	PF99901711	头部防震垫 HEAD CUSHION	1	1	1
31	PF5550910	钉 NAIL	4	4	4
39	PF68425Z134	油壶 OILER	1	1	1
40	PF68425Z133	油壶组件 OILER ASSY	1	1	1
42	PF5550919	膝控接头 KNEE LIFTER BRACKET	1	1	1
43	PF5550930	外六角螺栓 M8 BOLT SQUQRE M8	1	1	1
44	PF5550930	外六角螺栓 M8 BOLT SQUQRE M8	1	1	1
45	PF5550922	膝控竖轴 KNEE LIFTER BAR	1	1	1
46	PF5550923	膝控碰块 KNEE LIFTER PLATE	1	1	1
47	PF5550926	膝控碰块架 KNEE LIFTER PLATE STOPPER	1	1	1
48	PF5550927	螺栓SM15/64*28×8 BOLT SM15/64*28×8	1	1	1
49	PF5550924	膝控碰块盖 KNEE LIFTER PLATE COVER	1	1	1
50	PF8420M-D31950	线架组件 COTTON STAND ASSY 3DRTHF	1	1	1
51	PF8420M-D31951	MA79防护罩座 BOLT SQUQRE MA79	1	1	1
52	PF8420M-D31952	防护罩支架 BOLT SQUQRE	1	1	1
53	PF8450M-D30408	螺钉 SCREW	2	2	2
54	PF8420M-D31953	8008观察镜 BOLT SQUQRE 8008	1	1	1
55	SCJ3014	波形垫圈 THE WAVE WASHER	1	1	1
56	BF700S038	螺钉 SCREW	1	1	1

Automatic foot presser assembly

20. 自动抬压脚组件（选装部分）

Automatic Presser Foot Lifter Components (Optional)



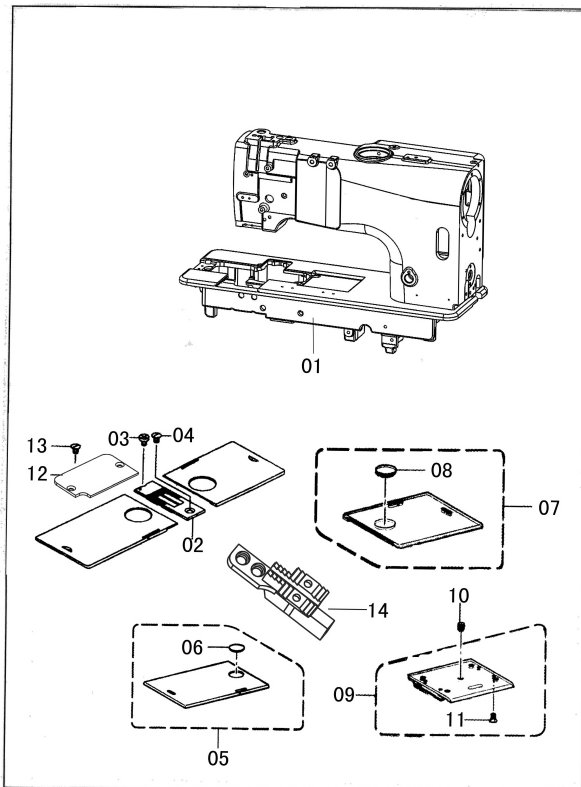
45

零件编号 (number)	零件品号 (Product number)	零件名称 (Product name)	8420 用量 (Number of 8420 used)	8450/8750 用量 (Number of 8450/8750 used)	8720用量 (Number of 8720 used)
01	PF8420M-D42001	后窗板 Rear window plate	1	1	1
02	PF8420M-D42002	抬压轴套 Presser axis cover	1	1	1
03	PF8420M-D42003	螺母M16×1.5 Screw nut M16×1.5	2	2	2
04	PF8420M-D42004	传动销 Drive pin	1	1	1
05	PF8420M-D42005	密封圈 Seals	1	1	1
06	PF8420M-D42006	抬压连杆 Presser rod	1	1	1
07	PF8420M-D42007	连杆支座 Connecting rod bearing	1	1	1
08	PF8420M-D42008	抬压前曲柄 Presser front crank	1	1	1
09	PF8420M-D42009	抬压接柄 Presser adapters	1	1	1
10	PF8420M-D42010	抬压曲柄 Presser crank	1	1	1
11	PF8420M-D42011	传动轴 Transmission shaft	1	1	1
12	PF8420M-D42012	支撑套 Support sleeves	1	1	1
13	PF8420M-D42013	平垫圈 (Φ9.5*Φ18*0.9) Flat Washers	1	1	1
14	SCJ1011	开口档圈 E7 Open ring	1	1	1
15	PF8420M-D42015	抬压脚电磁铁组件	1	1	1
18	PF8420M-D42018	衬套 Bushing	1	1	1
19	SCJ1004	开口档圈 E4 Open ring	2	2	2
20	PF8420M-D42020	开槽六角螺钉 Hexagon screw	1	1	1
21	PF8420M-D42021	内六角圆柱头螺钉 Hexagon socket head cap screws	1	1	1
22	PF8420M-D42022	轴位螺钉 Axial screw	1	1	1

零件编号 (number)	零件品号 (Product number)	零件名称 (Product name)	8420 用量 (Number of 8420 used)	8450/8750 用量 (Number of 8450/8750 used)	8720用量 (Number of 8720 used)
23	PF8420M-D42023	六角螺母 Hex nuts	1	1	1
24	PF8420M-D42024	平垫圈 (Φ6.7*Φ19*1) Flat Washers	1	1	1
25	PF8420M-D42025	螺钉 Screw	1	1	1
26	PF8420M-D42026	六角螺母 Hex nuts	1	1	1
27	PF8420M-D42027	螺钉 Screw	1	1	1
28	PF8420M-D30525	膝控提升杠杆 Knee-control lift lever	1	1	1
29	PF8420M-D42029	螺钉销组件 Screw pin assembly	1	1	1
30	PF8420M-D42030	罩壳 Housing	1	1	1

Straight knife special parts one

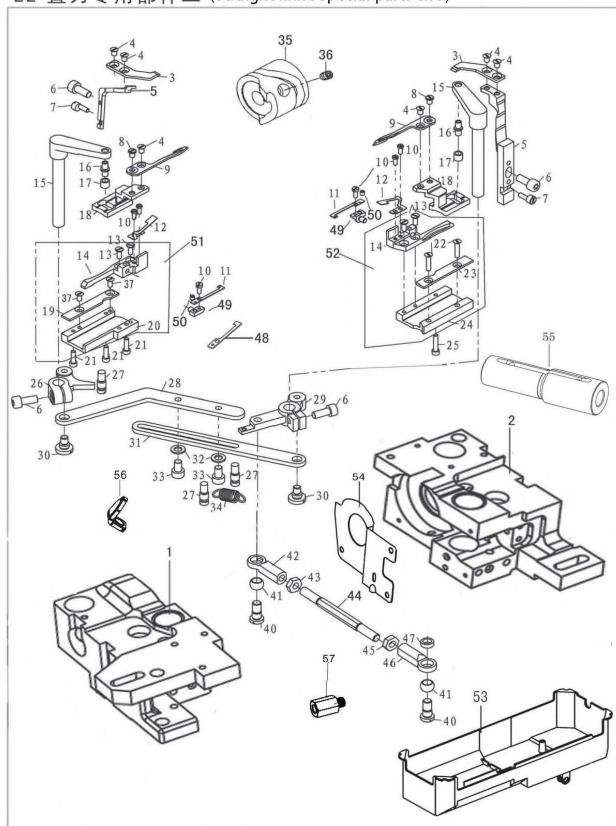
21 直刀专用部件一 (Straight knife special parts one)



零件编号 (number)	零件品号 (Product number)	零件名称 (Product name)	8420EZN-D3 用量 (Number of 8420EZN-D3 used)	8450EZN-D3 用量 (Number of 8450EZN-D3 used)	8720EZN-D3/8750EZN-D3用量 (Number of 8720EZN-D3/8750EZN-D3 used)
01-1	031205033	机头(单针杆) ARM	1	1	1
01-2	031205034	机头(双针杆) ARM	1	1	1
02-1	PK2102	针板 (1/4) NEEDLE PLATE	1	1	1
02-2	PK2102-L	针板 (1/4) H NEEDLE PLATE	1	1	1
03	PF68425G03	螺钉 SCREW,FLAT	1	1	1
04	PF68425G04	螺钉 SCREW,FLAT	1	1	1
05	PK2105P	左推板组件 SLIDE PLATE,LA ASSY	1	1	1
06		推板窗 BOBBIN WINDOW	1	1	1
07	PF68425A14	右推板组件 SLIDE PLATE ASSY,R	1	1	1
08		推板窗 BOBBIN WINDOW	1	1	1
09	PK2109P	前推板组件 SLIDE PLATE F ASSY	1	1	1
10	BF9000330	螺钉 SCREW	1	1	1
12	PK2112	剪线盖板 COVER FOR TRIMMING	1	1	1
13	BF320267041	一字沉头螺钉 M3×6 WORD SCREW M3×6	1	1	1
14-1	PK2114-M	送布牙 Φ2.0 FED DOG	1	1	1
14-2	PK2114-L	送布牙 Φ2.4 FED DOG	1	1	1

Straight knife special parts two

22 直刀专用部件二 (Straight knife special parts two)

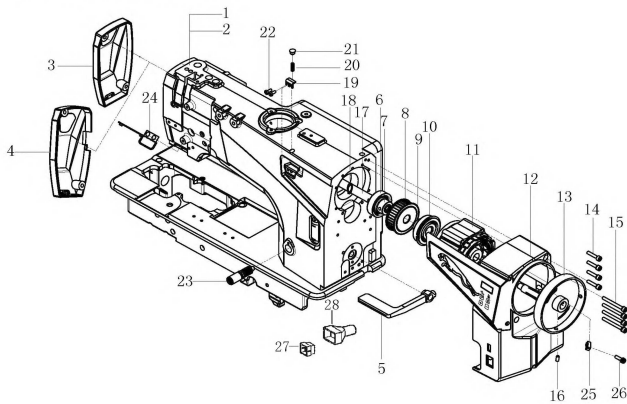


零件编号 (number)	零件品号 (Product number)	零件名称 (Product name)	8720EZN-D3/8750EZN-D3 用量 (Number of 8720EZN-D3/8750EZN-D3 used)		
			8420EZN-D3 用量 (Number of 8420EZN-D3 used)	8450EZN-D3 用量 (Number of 8450EZN-D3 used)	
01-1	PK2201	旋梭座 L ROTARY HOOK BASE L	1	1	1
01-2	PK2201L	旋梭座 L(大梭) ROTARY HOOK BASE L	1	1	1
02-1	PK2202	旋梭座 R ROTARY HOOK BASE R	1	1	1
02-2	PK2202L	旋梭座 R(大梭) ROTARY HOOK BASE R	1	1	1
03	PK2203	定刀 FI×ED KNIFE	1	1	1
04	PK2204	定刀螺钉 SCREW OF FI×ED KNIFE	1	1	1
05	PK2205	定刀架 FI×ED KNIFE HOLDER	1	1	1
06	PF1310J48	圆柱头内六角螺钉 M5×12 HE×AGON SCREW OF CYLINDER	1	1	1
07	PK2207	定刀调节螺钉 FI×ED KNIFE ADJUSTABLE SCREW	1	1	1
08	PK2208	动刀螺钉 SM9/64×40-5SCREW OF FI×ED KNIFE SM9/64×40-5	1	1	1
09	PK2209	动刀 MOVABLE KNIFE	1	1	1
10	PF03021561	一字圆柱头螺钉 M2.5×6 WORD CYLINDER OF SCREW M2.5×6	2	2	2
11	PK2211	调节弹簧片 AADJUST SPRING PLATE A	1	1	1
12	PK2212	底线保持簧 THE BOTTOM LINE TO KEEP THE SPRING	1	1	1
15	PK2215	动刀杆 MOVABLE KNIFE BAR	1	1	1
21	PK2221	圆柱头内六角螺钉 M3×10 SCREW M3×10	1	1	1
25	PF1310C103	圆柱头内六角螺钉 M3×14SCREW M3×14	1	1	1
26	PK2226	切线杠杆LTRIMMING SHAFT L	1	1	1
27	PF8420M-D30862	切刀拉簧螺钉SCREW	1	1	1
28	PK2228	切线连杆LTRINNING CONNECTOR L	1	1	1

零件编号 (number)	零件品号 (Product number)	零件名称 (Product name)	8720EZN-D3/8750EZN-D3		
			8420EZN-D3 用量 (Number of 8420EZN-D3 used)	8450EZN-D3 用量 (Number of 8450EZN-D3 used)	用量 (Number of 8720EZN-D3/8750EZN-D3 used)
29	PK2229	切线杠杆RTRIMMING SHAFT R	1	1	1
30	PF8420M-D31359	轴位螺钉M5SCREW M5	1	1	1
31	PF8420M-D31349	切线连杆RTRINNING CONNECTOR R	1	1	1
32	SCJ3008	平垫片 5.3WASHER 5.3	2	2	2
33	PF8420M-D3010108	圆柱头内六角螺钉 M5×8 SCREW M5×8	1	1	1
34	PF5550726	切线复位弹簧SPRING OF TRIMMING	1	1	1
35	PK2235	剪线凸轮CUT CAM	1	1	1
36	PK2236	内六角凹端紧定螺钉 M6×10 SCREW M6×10	4	4	4
40	PF8420M-D31359	接头R套管螺钉 M6SCREW M6	1	1	1
44	PK2244P	长度调节连杆组件 CONNECTING ROD LENGTH ADJUSTMENT	1	1	1
48	PK2248	调节弹簧片 B ADJUST SPRING PLATE B	1	1	1
49	PK2249	调节弹簧片托架ADJUST SPRING PLATE SUPPORT	1	1	1
50	BF310164554	内六角凹端紧定螺钉M3×3 SCREW M3×3	1	1	1
51	PK2251P	动刀导向架(L)组件KNIFE GUIDE FRAME(L) ASSY	1	1	1
52	PK2252P	动刀导向架(R)组件KNIFE GUIDE FRAME(R) ASSY	1	1	1
53	PF8420M-D31916	油盘OIL PAN	1	1	1
54	PK2254	鞍座盖 (R) ROTARY HOOK BASE COVER R	1	1	1
55	PK2255	梭架套右 ZROTARY HOOK BASE BUSH R	1	1	1
56	PF1900A0131	弹簧挂勾SPRING HOOK	1	1	1

DP SERIES SIMPLE INTEGRATED DOUBLE NEEDLE MACHINE SPECIAL PARTS

23 DP系列简易双针一体机专用部件

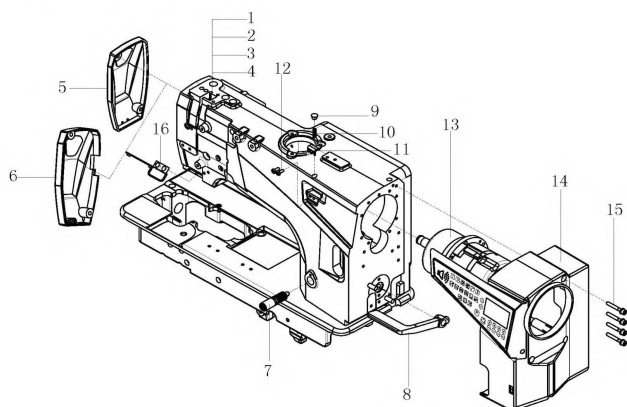


零件编号 (number)	零件品号 (Product number)	零件名称 (Product name)	8420DP 用量 (Number of 8420DP used)	8450DP 用量 (Number of 8450DP used)	8720DP/8750DP用量 (Number of 8720DP/8750DP used)
01	031205031	机壳MACHINE BODY	1	1	1
02	031205032	机壳(角缝) MACHINE BODY	1	1	1
03	PF8420DP010105	面板FACE PLATE	1	1	1
04	PF8450DP010205	面板(角缝) FACE PLATE	1	1	1
05	PF8420DP0640	倒缝扳手REVERSE STITCHING LEVER	1	1	1
06	BF310166203Z	轴承(6304ZZNR)BEARING	1	1	1
07	BF31016250529	轴承套BALL BEARING BUSH	1	1	1
08	PF84200232	上同步轮TIMINGPULLEY.U DD	1	1	1
09	BF31016250529	轴承套BALL BEARING BUSH	1	1	1
10	BF310166203Z	轴承BEARING	1	1	1
11	PF8420DP1719	电机组件MOTOR	1	1	1
12	11010035	电控组件PULLEY COVER ASM	1	1	1
13	PF8420DP0229	上轮HEAD WHEEL	1	1	1
14	SCJ2011	电控罩壳安装螺钉 M5×25SCREW	4	4	4
15	SCJ2015	电机安装螺钉 M5×55SCREW	4	4	4
16	SCJ2031	上轮螺钉 M5×8SCREW	2	2	2
17	PF8420DP0201	上轴MAIN SHAFT	1	1	1
18	SCJ1036	挡圈RETAINING RING	1	1	1
19	PFQ5150	支架STAND	1	1	1

零件编号 (number)	零件品号 (Product number)	零件名称 (Product name)	8420DP 用量 (Number of 8420DP used)	8450DP 用量 (Number of 8450DP used)	8720DP/8750DP用量 (Number of 8720DP/8750DP used)
20	PFQ5151	紧固螺钉SCREW	2	2	2
21	PF55500113	调节孔孔塞RUBBER PLUG	1	1	1
22	PFQ5149	支架固定螺钉SCREW	1	1	1
23	PF8420DP0622	针距调节螺杆FEED REGULATING STUD	1	1	1
24	PF8420DP1601	照明灯及补针开关组件REVERSE SEWING SWITCH ASM	1	1	1
25	PF0303DP0254	磁钢MAGNETIC STEEL BRIDGE	1	1	1
26	PF8420M-D31145	磁钢固定螺钉SCREW	1	1	1
27	PF430GM13	6孔插座6 PIN PLUG	1	1	1
28	PF8420DP2328	6孔护套 5557-6R6 HOLE SHEATH	1	1	1

E SERIES COMPUTER INTEGRATED DOUBLE NEEDLE MACHINE SPECIAL PARTS

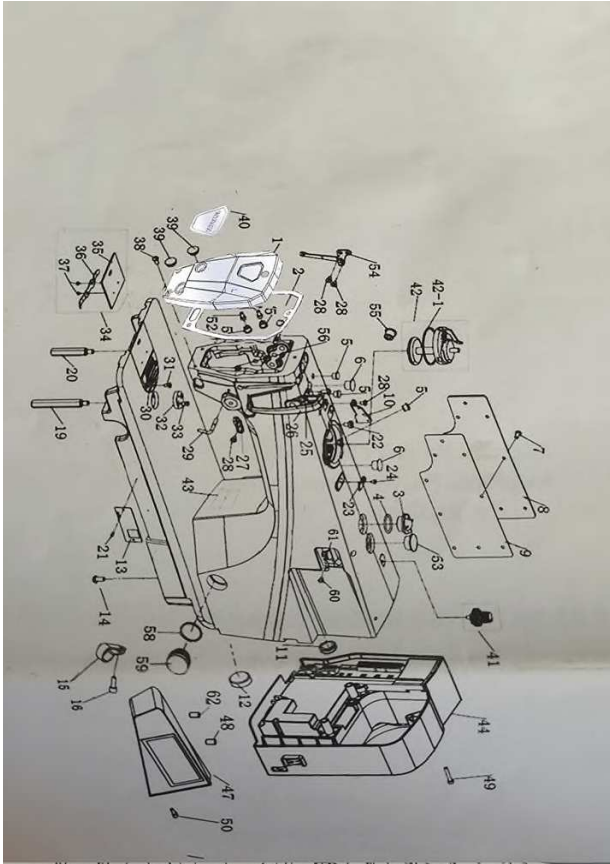
24 E系列电脑双针一体机专用部件



零件编号 (number)	零件品号 (Product number)	零件名称 (Product name)	8720EZN-D3/8750EZN-D3用		
			8420EZN-D3 用量 (Number of 8420EZN-D3 used)	8450EZN-D3 用量 (Number of 8450EZN-D3 used)	量 (Number of 8720EZN-D3/8750EZN-D3 used)
01	031205033	机壳MACHINE BODY	1	1	1
02	031205034	角缝机壳MACHINE BODY	1	1	1
05	PF8420DP010105	面板FACE PLATE	1	1	1
06	PF8450DP010205	面板 (角缝) FACE PLATE	1	1	1
07	PF8420DP0622	针距调节螺杆FEED REGULATING STUD	1	1	1
08	PF8420DP0640	倒缝扳手REVERSE STITCHING LEVER	1	1	1
09	PF55500113	调节孔孔塞RUBBER PLUG	1	1	1
10	PFQ5151	紧固螺钉SCREW	1	1	1
11	PFQ5150	支架STAND	1	1	1
12	PFQ5149	支架固定螺钉SCREW	2	2	2
13	PF8420E1719	电机组件MOTOR	1	1	1
14	11010057	电控组件PULLEY COVER ASM	1	1	1
15	SCJ2011	电控罩壳安装螺钉 M5×25SCREW	4	4	4
16	PF8420DP1601	照明灯及补针开关组件REVERSE SEWING SWITCH ASM	1	1	1

MACHINE PRAME&MISCELLANEOUS COVER COMPONENTS

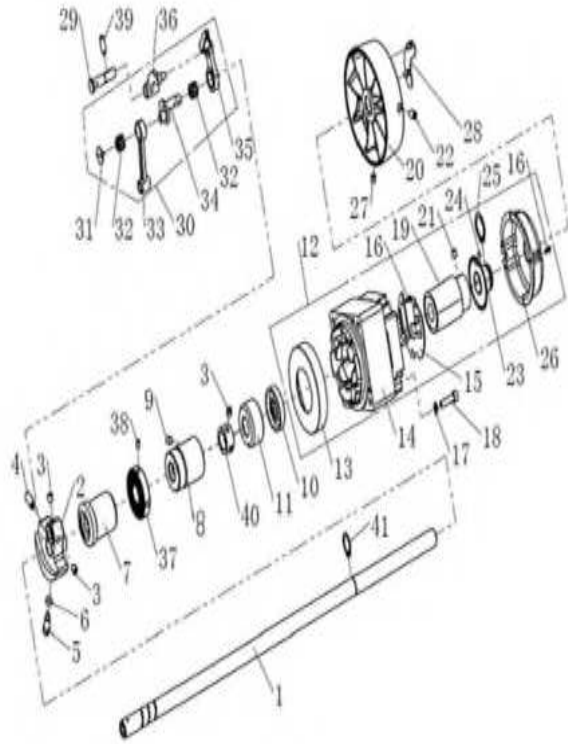
Q7



零件编号 (number)	零件品号 (Product number)	零件名称 (Product name)	Q7 用量 (Number of Q7 used)
01	PFQ511	面板 FACE PLATE	1
02	PFQ512	面板垫 FACE PLATE GASKET	1
03	PF5550824	油窗 OIL WINDOW	1
04	PF5550825	油窗O型圈 THRUST COLLAR ASM	1
05	PF5550113	挑线连杆销螺孔塞 RUBBER PLUG	5
06	PF5550112	针杆曲柄螺孔塞 RUBBER PLUG	1
07	PF555016	后窗板螺钉 SCREW	9
08	PFQ70108	Q7侧面板 SIDE PLATE	1
09	PFQ70109	Q7侧面板密封垫 SIDE PLATE GASKET	1
10	PFQ5110	三眼线钩 THREE EYELINER HOOK	1
12	PF5550115	下轴盲孔塞 RUBBER PLUG	1
13	BZ3097	型号牌 MODEL PLATE	1
14	PF888056D730	螺钉 SCREW	2
15	SCJ5035	线夹 WIRE CLAMP	2
16	PF9820B07	螺钉 SCREW	2
19	PFQ70119	Q7底板支柱1 BED SCREW STUD (ONE)	3
20	PFQ70120	Q7底板支柱2 BED SCREW STUD (TWO)	1
21	SCJ6071	型号牌铆钉 POLE	2
22	PF90000131	绕线器紧固定螺钉 SCREW	3

零件编号 (number)	零件品号 (Product number)	零件名称 (Product name)	Q7 用量 (Number of Q7 used)
23	PF90000132	绕线切刀 THREAD CUTTER	1
24	PF68425K19	绕线切刀固定螺钉 SCREW	2
25	PF5550230	挑线杆护罩螺钉 SCREW	1
26	PFQ5126	挑线杆护罩 THREAD TAKE-UP LEVER COVER	1
27	PF5550316	右线钩 RIGHT ARM THREAD GUIDE	1
28	PF5550317	右线钩螺钉 SCREW	4
29	PF9520MXDK021	大线钩 LARGE ARM THREAD GUIDE	1
30	PF555063601B	针板 NEEDLE PLATE	1
31	PF5550637	针板螺钉 SCREW	2
32	PFQ50132	卷边器座 RULER PLATE	1
33	PF5550117	卷边器座螺钉 SCREW	2
34	PF5550638	推板组件 SLIDE PLATE ASM	1
35	PF555063801	推板 SLIDE PLATE	1
36	PF555063802	推板簧 SPRING OF SLIDE PLATE	1
37	PF555063803	推板螺钉 SCREW	2
38	PF5550161	面板螺钉 SCREW	3
39	PF5550111	面板调节螺孔塞 RUBBER PLUG	2
40	PFQ50140	面板装饰牌 PLATE	1
41	PFQ5141	绕线夹线器组件 BOBBIN THREAD TENSION ASM	1
42	PF90000157	绕线器 BOBBIN WINDER ASM	1
42-1	PF900001511	绕线器油封 OIL SEAL OF COLLING WHEEL	1
43	PFQ1139	安全指示牌 SAFETY-INDICATING PLATE	1
44	PFQ70160	电控组件 ELECTRONIC CONTROL UNIT	1
47	PFQ5F0147	操作面板组件 OPERATION PANEL	1
48	BF9001542	螺钉 SCREW	1
49	PF1900A0256	螺钉 SCREW	4
50	PFQ50148	操作面板组件固定螺钉 SCREW	1
52	BF310164527	螺钉 SCREW	2
53	PF98000187	调节孔孔塞 RUBBER PLUG	1
54	PFQ5129	左线钩 LEFT ARM THREAD GUIDE	1
55	PFS5T0155	操作面板线孔塞 OPERATION PANEL LINE HOLE PLUG	1
56	PF9520MXDK02101	缓线勾紧固螺母 NUT	1
58	BF889230043	O型圈 RUBBER RING	1
59	BF889274502A	油窗 OIL WINDOW	1
60	PFQ5149	支架固定螺钉 SCREW	2
61	PFQ5150	支架 STAND	1
62	PFQ70161	螺钉 SCREW	1

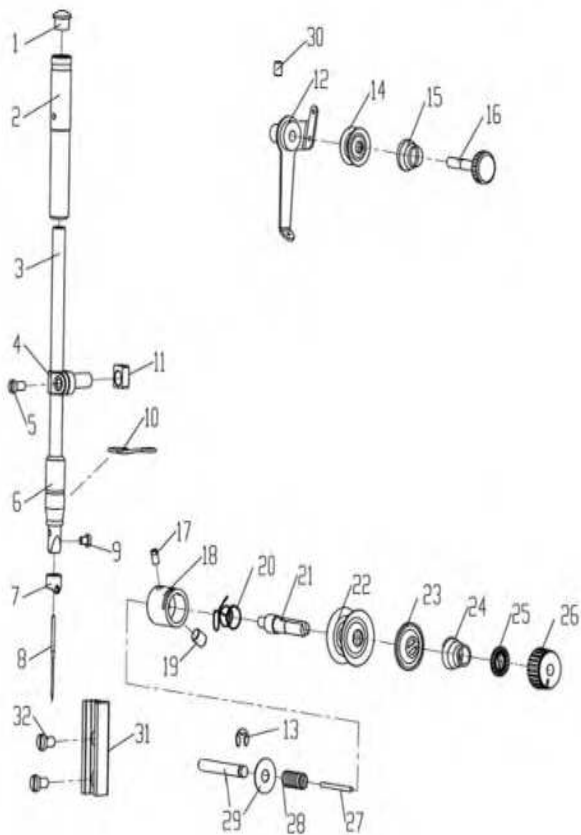
MAIN SHAFT & THREAD TAKE-UP COMPONENTS



零件编号 (number)	零件号 (Product number)	零件名称 (Product name)	Q7 用量 (Number of Q7 used)
01	PFQ5F0201	上轴 MAIN SHAFT	1
02	PFQ60202	针杆曲柄 NEEDLE BAR CRANK	1
03	PF5550625	挑线曲柄定位螺钉 SCREW	4
04	PF5550218	针杆曲柄紧固螺钉 SCREW 9/32-28 L=16	1
05	PF5550216	针杆曲柄定位螺钉 SCREW	1
06	PF5550217	针杆曲柄定位螺钉O型圈 RUBBER RING	1
07	PFQ50207	上轴前轴套 FRONT BUSHING OF MAIN SHAFT	1
08	PF555028	上轴中轴套 MID BUSHING OF MAIN SHAFT	1
09	PF555029	上轴中轴套螺钉 SCREW	1
10	PF90000210	上轴油封 OIL SEAL	1
11	PF9802DP0205	上轴后套 UPPER SHAFT REAR SLEEVE	1
12	PFS5T0212	电机组件 MOTOR	1
13	PFS5T0213	电机后罩 MOTOR REAR COVER	1
14	PFS5T0214	电机定子 MOTOR STATOR	1
15	PFS5T0215	电机传感器 MOTOR SENSOR	1
16	PFQ5F0216	紧固螺钉 SCREW	6
17	SCJ3008	弹簧垫片 WASHER	4
18	SCJ2010	上轴电机螺钉 SCREW	4
19	PFQ5F021402	电机转子 MOTOR ROTOR	1
20	PFS5T0220	上轮 HEAD WHEEL	1

零件编号 (number)	零件品号 (Product number)	零件名称 (Product name)	Q7 用量 (Number of Q7 used)
21	PFQ5F0221	转子固定螺钉 SCREW	2
22	PF1310B24	上轮螺钉 SCREW	1
23	PFS5T0223	光栅 GRATING	1
24	PFS5T0224	光栅固定螺钉 SCREW	1
25	PFS5T0225	卡簧 REED SPRING	1
26	PFS5T0226	电机罩壳 MOTOR HOOD	1
27	PF1310B24	上轮螺钉 SCREW	1
28	PFS5T0228	手轮标牌 HANDWHEEL SIGN	1
29	PF5550225	挑线杆铰链轴 THREEED TAKE-UP CRANK SHAFT	1
30	PF5550K0223A	挑线杆部件 THREEED TAKE-UP ASM	1
31	PF5550228	挑线曲柄左螺钉 SCREW	1
32	PF555022404	滚针轴承 BEARING	2
33	PF555031	针杆连杆 NEEDLE BAR CONNECTING ROD	1
34	PF55502201	挑线杆轴 THREEED TAKE-UP SHAFT	1
35	PF55502212	挑线杆 THREEED TAKE-UP	1
36	PF55502211	挑线杆连杆 THREEED TAKE-UP CONNECTING ROD	1
37	PF03030223	绕线主动轮 WHEEL	1
38	PF68425H33	绕线主动轮紧固螺钉 SCREW	2
39	PF555022	挑线杆铰链轴紧固螺钉 SCREW	1
40	PF555026	上轴挡圈 RETAINING RING	1
41	SCJ1036	转子限位挡圈 RETAINING RING	1

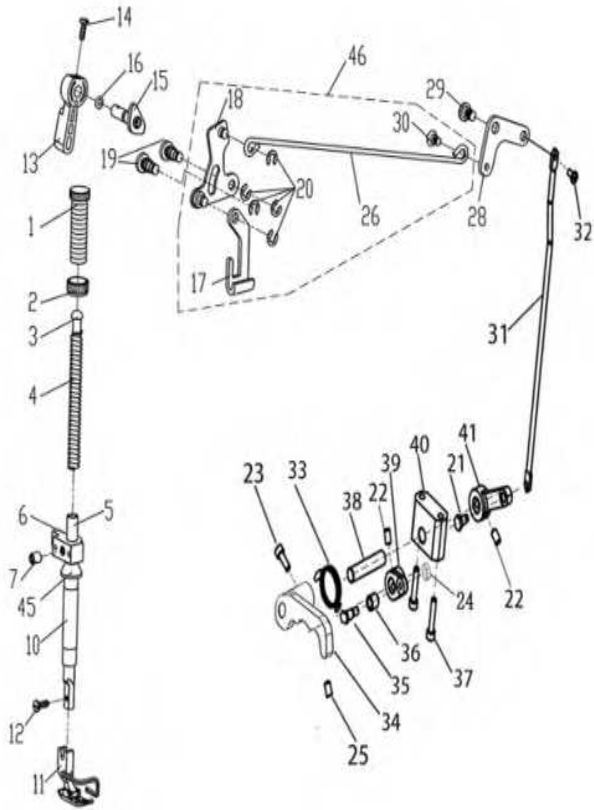
NEEDLE BAR & THREAD TENSION COMPONENTS



零件编号 (number)	零件号 (Product number)	零件名称 (Product name)	Q7 用量 (Number of Q7 used)
01	PF555037	针杆上轴套孔塞 RUBBER PLUG	1
02	PF555036	针杆上轴套 UPPER BUSHING OF NEEDLE BAR	1
03	PF90000303	针杆 NEEDLE BAR	1
04	PF555033	针杆连接柱 NEEDLE BAR HOLDER	1
05	PF55503301	针杆连接柱螺钉 SCREW 9/64-40 L=6	1
06	PF55503802	针杆下轴套 LOWER BUSHING OF NEEDLE BAR	1
07	PF5550311	针杆线钩 NEEDLE BAR THREAD GUIDE	1
08	PFDTDB114	机针 NEEDLE(DBx1#14)	1
09	PF5550312	机针螺钉 SCREW 1/8-44 L=4.5	1
10	PF888056D309	针杆下轴套线钩 NEEDLE BAR THREAD GUIDE	1
11	PF90010311	针杆连接柱滑块 SLIDE BLOCK	1
12	PFQ53121604	上过线板 THREAD TENSION SPRING	1
13	SCJ1004	开口挡圈 SNAP RING	1
14	PFQ53121601	上夹线板 BOBBIN WINDER TENSION DISC	2
15	PFQ53121602	上夹线簧 THREAD TENSION SPRING	1
16	PFQ53121603	上夹线螺钉 SCREW	1
17	PFQ53172609	夹线螺钉紧固螺钉 SET SCREW 9/64-40 L=4	1
18	PFQ53172601	挑线簧调节座 TENSION POST SOCKET	1
19	PF5550330	夹线器螺钉 SCREW 15/64-28 L=7	1
20	PFQ53172602	挑线簧 TAKE-UP SPRING	1

零件编号 (number)	零件品号 (Product number)	零件名称 (Product name)	Q7 用量 (Number of Q7 used)
21	PFQ53172603	夹线螺钉 SCREW	1
22	PFQ53172604	夹线板 TENSION DISC	2
23	PFQ53172605	松线板 TENSION DISC HOLDER	1
24	PFQ53172606	夹线簧 TENSION SPRING	1
25	PFQ53172607	夹线制动板 TENSION DISC STOPPER	1
26	PFQ53172608	夹线螺母 TENSION NUT	1
27	PF6150131	松线钉 THREAD RELEASE PIN	1
28	PF5550334	松线辅钉弹簧 TENSION RELEASE PIN SPRING	1
29	PF90000329	松线辅钉 TENSION RELEASE SUPPORTING PIN	1
30	PF68425H33	上夹线器螺钉 SCREW 11/64-40 L=6	1
31	PF9001033101	针杆滑块槽 NEEDLE BAR TROUGH	1
32	PF6150227	滑块槽螺钉 SLIDE BLOCK 11/64-40 L=8	2

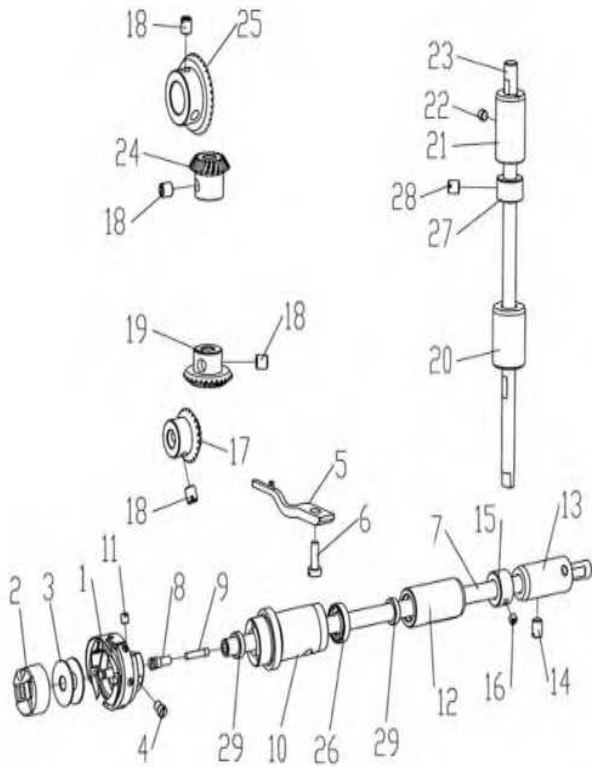
PRESSER BAR & TENSION RELEASE COMPONENTS



零件编号 (number)	零件品号 (Product number)	零件名称 (Product name)	Q7 用量 (Number of Q7 used)
01	PFQ541	调节螺钉 PRESSER SPRING REGULATOR	1
02	PFQ542	调压螺母 NUT 1/2-28	1
03	PF555043	调压导杆 PRESSER GUIDE BAR	1
04	PF555044	调压簧 PRESSER SPRING	1
05	PF555045	压杆 PRESSER GUIDE BAR	1
06	PF90000406	压杆导架 NEDDIE BAR GUIDE BRACKET	1
07	PF555047	压杆导架螺钉 SCREW 1/4-40 L=8	1
10	PF5550410	压杆轴套 PRESSER BAR BUSHING LOWER	1
11	PF888056D411	活压脚部件 PRESSER FOOT ASM	1
12	PF5550412	活压脚螺钉 SCREW 9/64-40 L=10.5	1
13	PFQ541301	压脚扳手 HAND LOFTER	1
14	PF5550412	压脚扳手螺钉 SCREW 9/64-40 L=10.5	1
15	PF90000415	压脚扳手凸轮部件 HAND LOFTER CAM ASM	1
16	PF5550416	压脚扳手轴O型圈 RUBBER RING	1
17	PF90000417	压脚升降板 LIFTING LEVER	1
18	PF9000041801	抬压脚前杠杆部件 HAND LIFTER LINK ASM	1
19	PF5550419	前杠杆螺纹销 THREAD PIN	2
20	SCJ1008	螺纹销开口挡圈 SNAP RING	7
21	PFQ70429	Q7抬压脚轴位螺钉 SCREW	1
22	BF1310B24	螺钉 SCREW	1

零件编号 (number)	零件品号 (Product number)	零件名称 (Product name)	Q7 用量 (Number of Q7 used)
23	BF310164500	螺钉(M5X10) SCREW	4
24	PF1790S0705	螺母 NUT	1
25	PF1790S0566	螺钉 SCREW	1
26	PF5550426	抬压脚拉杆 LIFTING LEVER CONNECTING ROD	1
28	PFQ70424	Q7抬压脚后杠杆 LIFTING LEVER LINK	1
29	PF5550429	后杠杆轴位螺钉 HINGE SCREW 15/64-28	1
30	PF5550430	抬压脚拉杆螺钉 HINGE SCREW 3/16-32	1
31	PFQ70427	Q7抬压脚后顶杆 Back ejector	1
32	PF6150719	轴位螺钉 SCREW	1
33	PFQ70437	Q7抬压脚扭簧 Torsion spring	1
34	PFQ70435	Q7抬压脚凸轮 Presser Cam	1
35	PFQ70448	Q7滚柱螺钉 SCREW	1
36	PFQ70450	滚柱 Roller	1
37	BF9000220	螺钉 SCREW	2
38	PFQ70432	Q7抬压脚轴 Presser Pin	1
39	PFQ70439	Q7抬压脚曲柄 Push-up crank	1
40	PFQ70433	Q7抬压脚支撑座 Uplift support	1
41	PFQ70430	Q7抬压脚曲柄2 Push-up crank (Two)	1
45	PF5550432	压杆油封 PRESSER BAR OIL SEAL	1
46	PF90000418	拾牙轴前杠杆组件 HAND LIFTER LINK ASM	1

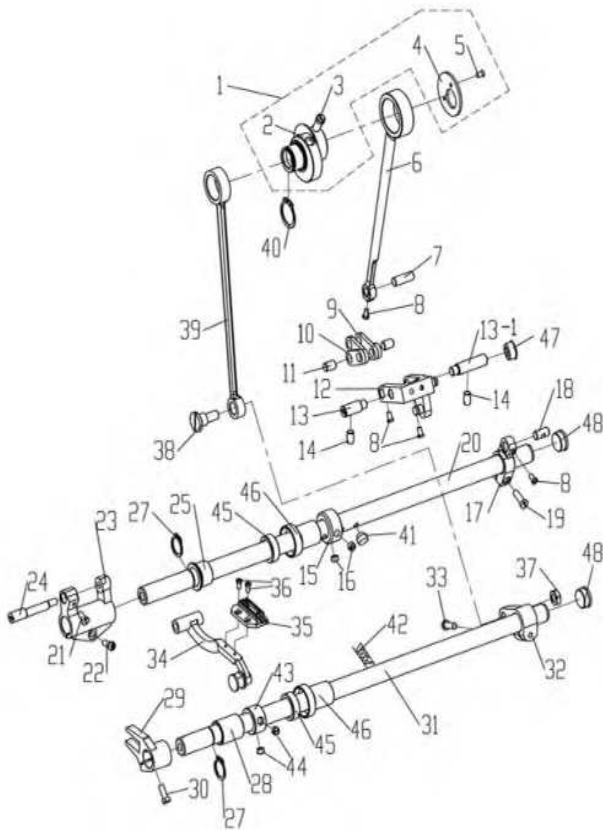
HOOK OF DRIVING SHAFT COMPONENTS



零件编号 (number)	零件品号 (Product number)	零件名称 (Product name)	Q7 用量 (Number of Q7 used)
01	PF888056D50114	旋梭 HOOK ASM	1
02	PF888056D5202	梭子 BOBBIN CASE ASM	1
03	PF555053	梭心 BOBBIN	1
04	PF888056D5010801	旋梭紧固螺钉 SCREW 11/64-40 L=4.5	2
05	PF555055	旋梭定位钩 POSITIONING FINGER	1
06	BF700S039	旋梭定位钩螺钉 SCREW 11/64-40 L=9.5	1
07	PF90000507	下轴 HOOK DRIVING SHAFT	1
08	PF555058	下轴限油螺钉 OIL SEAL SCREW ASM	1
09	PF55505901	下轴限油芯 OIL WICK	1
10	PF90000510	下轴前轴套 FRONT BUSHING	1
11	PF888056D5010802	旋梭紧固螺钉 SCREW 11/64-40 L=4.5	1
12	PF90000512	下轴中轴套 MID BUSHING	1
13	PF90000513	下轴后轴套 REAR BUSHING	1
14	PF555029	下轴后轴套螺钉 SCREW 15/64-28 L=8	1
15	PF6150404	下轴挡圈 SNAP RING	1
16	PF55506261	下轴挡圈螺钉 SCREW 11/64-40 L=3.5	2
17	PF555051805	下轴伞齿轮 (小) BEVEL GEAR (SMALL)	1
18	PF55505180501	伞齿轮螺钉 SCREW 1/4-40 L=7	8
19	PF555052005	竖轴下伞齿轮 (大) BEVEL GEAR (LARGE)	1
20	PF90000520	竖轴下轴套 LOWER BUSHING	1

零件编号 (number)	零件品号 (Product number)	零件名称 (Product name)	Q7 用量 (Number of Q7 used)
21	PF90000521	竖轴上轴套 UPPER BUSHING	1
22	PF9800TD410	竖轴上轴套螺钉 SCREW 3/16-28 L=4	1
23	PF5550524	竖轴 UPRING SHAFT	1
24	PF555052505	竖轴上伞齿轮 (小) BEVEL GEAR (SMALL)	1
25	PF555052605	上轴伞齿轮 (大) BEVEL GEAR (LARGE)	1
26	PF6150406	油封组件18 OIL SEAL 18	1
27	PF6150404	竖轴上轴套挡圈 SNAP RING	1
28	PF5550330	竖轴上轴套挡圈螺钉 SCREW 15/64-28 L=7	2
29	PF9990707	油封组件12 OIL SEAL12	2

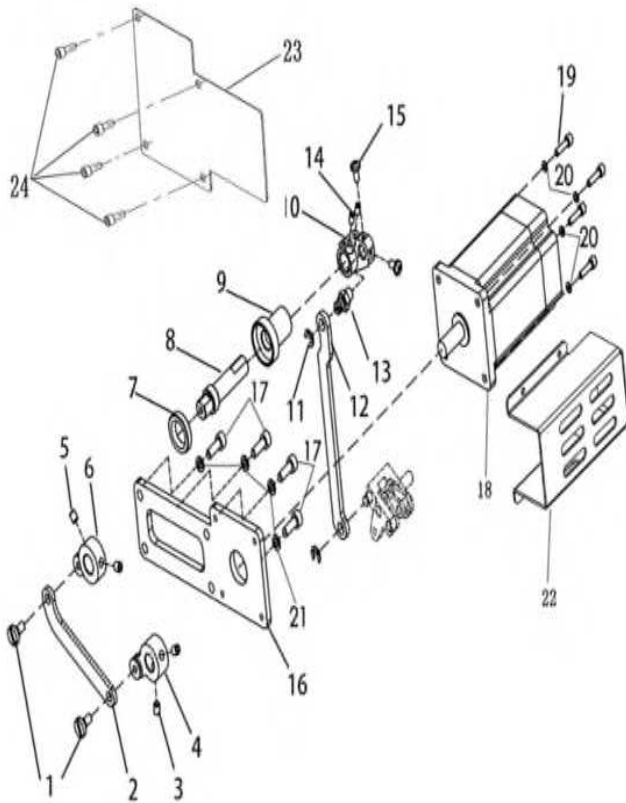
FEED MECHANISM COMPONENTS



零件编号 (number)	零件品号 (Product number)	零件名称 (Product name)	Q7 用量 (Number of Q7 used)
01	PFQ5F0602	送料偏心轮组件 FEED DRIVE ECCENTRIC CAM ASM	1
02	PF555062	送料偏心轮 FEED DRIVE ECCENTRIC CAM	1
03	PF555063	送料偏心轮螺钉 SCREW 1/4-40 L=13	2
04	PF555064	送料偏心轮盖板 THRUST COLLAR	1
05	PF555065	偏心轮盖板螺钉 SCREW 9/64-40 L=6	2
06	PF555066	送料连杆 ROCKER SHAFT CONNECTING ROD	1
07	PF555067	送料连杆销 WALKING FOOT PIN	1
08	PF555068	连接销螺钉 SCREW 9/64-40 L=6	4
09	PF555069	送料长摆动板 LONG WALKING FOOT LINK	2
10	PF5550610	送料短摆动板 SHORT WALKING FOOT LINK	2
11	PF5550611	长摆动板连接销 WALKING FOOT PIN	2
12	PF888056D613	送料摆动板座部件 WALKING FOOT ADJUST LINK	1
13	PF5550614	送料摆动板座左销 ADJUSTING LINK FULCRUM SHAFT	1
13-1	PF555061601	送料摆动板座右销 ADJUSTING LINK FULCRUM SHAFT	1
14	PF6150326	左右销螺钉 SCREW 15/64-28 L=7	2
15	PFQ60621	送布轴挡圈 RETAINING RING	1
16	PF5550625	送布轴挡圈螺钉 SCREW 1/4-40 L=6	2
17	PF5550618	送料曲柄 FEED ROCKER SHAFT CRANK ASM	1
18	PF5550619	送料曲柄销 WALKING FOOT PIN	1
19	PF5550621	送料曲柄螺钉 SCREW 9/64-28 L=14	1

零件编号 (number)	零件品号 (Product number)	零件名称 (Product name)	Q7 用量 (Number of Q7 used)
20	PF90000620	送布轴 FEED ROCKER SHAFT	1
21	PF90000621	牙架曲柄轴螺钉 SCREW 11/64-40 L=6.5	1
22	PF5550633	牙架曲柄固定螺钉 SCREW 3/16-28 L=13.5	1
23	PF90000623	牙架曲柄 FEED CRACKET	1
24	PF90000624	牙架销 FEED BAR SHAFT	1
25	PF90000625	送料轴前轴套 FEED ROCKER SHAFT BUSHING	1
27	SCJ1036	拾牙送布轴轴用挡圈 RETAINING RING	2
28	PF5550626	拾牙轴前轴套 FEED DRIVING SHAFT BUSHING	1
29	PF90000629	拾牙叉型曲柄 DRIVING SHAFT CRANK ASM	1
30	PF6150607	拾牙叉型曲柄螺钉 SCREW 11/64-40 L=11.5	1
31	PF90000631	拾牙轴 FEED DRIVING SHAFT	1
32	PF90000632	拾牙后曲柄 REAR CRACK ASM	1
33	PF5550648	拾牙后曲柄螺钉 SCREW 3/16-28 L=14	1
34	PF90000634	牙架组件 FEED ROCKER BASE ASM	1
35	PF55500634B	送料牙 FEED DOG	1
36	PF5550635	送料牙螺钉 SCREW 1/8-44 L=6	2
37	PF5550651	拾牙连杆轴位螺母 NUT	1
38	PF5550650	拾牙连杆轴位螺钉 SCREW	1
39	PF5550649	拾牙连杆 CONNECTING ROD	1
40	PF5550652	拾牙连杆轴用挡圈 SNAP RING	1
41	PF9820A50	孔塞 RUBBER PLUG	1
42	PF5550627	拾牙轴油线 OIL WICK	1
43	PF5550653	拾牙轴挡圈 SNAP RING	1
44	PF6150304	拾牙轴挡圈螺钉 SCREW 1/4-40 L=4	2
45	PFQ60623	拾牙送布轴中套油封组件22 OIL SEAL 22	2
46	PFQ60622	拾牙送布轴中套 BUSHING MID	2
47	PF6150104	右销塞 RIGHT PIN RUBBER PLUG	1
48	PF9990113	拾牙送布轴孔塞 RUBBER PLUG	2

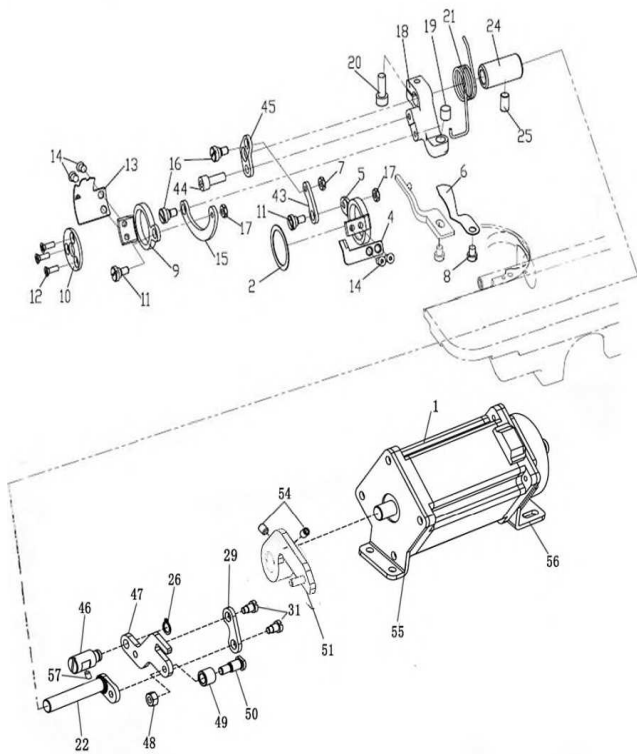
FEED REGULATING COMPONENTS



零件编号 (number)	零件品号 (Product number)	零件名称 (Product name)	Q7用量 (Number of Q7 used)
01	PF22841013	轴位螺钉 SCREW	2
02	PFQ70709	Q7针距外连杆 EXTERNAL CONNECTING ROD	1
03	PF1310B24	螺钉 SCREW	2
04	PFQ70710	Q7电机曲柄 MOTOR CRANK	1
05	PF1310B24	螺钉 SCREW	2
06	PFQ70707	Q7送料调节器曲柄 ADJUSTER CRANK	1
07	PFQ70706	油封 OIL SEAL	1
08	PFQ70703	Q7针距调节轴 ADJUSTING SHAFT	1
09	PFQ70705	Q7针距调节套 REGULATING SLEEVE	1
10	PF9802DP0707	送料调节器 ADJUSTER	1
11	PFQ50712	倒送料连杆挡圈 CONNECTING ROD COLLAR	2
12	PFQ70717	Q7倒送料连杆 FEED ROD	1
13	PFQ70722	Q7倒缝连杆销 CONNECTING ROD PIN	1
14	PF1790S0566	螺钉 SCREW	2
15	PF68425B27	连杆销螺钉 SCREW	1
16	PFQ70713	Q7电机安装板 MOUNTING PLATE	4
17	BF310164501	螺钉 SCREW	4
18	PFQ70715	Q7针距调节电机 REGULATING MOTOR	1
19	BF8004529	螺钉 SCREW	4
20	KB3302	弹垫 SPRING MAT4	4

零件编号 (number)	零件品号 (Product number)	零件名称 (Product name)	Q7 用量 (Number of Q7 used)
21	PFQ5022002	弹垫5 SPRING MAT5	4
22	PFQ70720	Q7电机罩 MOTOR COVER BOX	1
23	PFQ70718	Q7针距调节护板 SPRING MAT5	1
24	PF9820B07	螺钉 SCREW	4

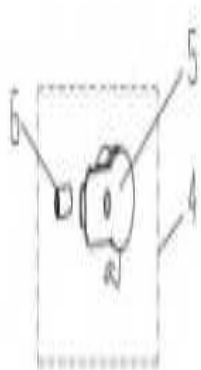
PENDULUM SHEARING MECHANISM



零件编号 (number)	零件号 (Product number)	零件名称 (Product name)	Q7用量 (Number of Q7 used)
01	PFQ70834	Q7剪线驱动电机 DRIVE MOTOR	1
02	PFQ68214	刀架垫圈 WASHER	1
04	PFQ68206	定动刀 FIXED KNIFE	1
05	PFQ68207	定动刀架 FIXED ROUND KNIFE BRACKET	1
06	PFQ68202	分线器 DISPART THREAD SHUTTLE	1
07	PF90008117	刀轴连杆螺母 NUT 11/64-40	1
08	PF7810813	分线器固定螺钉 SCREW 9/64-40 L=6	1
09	PFQ68212	主动刀架 MAIN ROUND KNIFE BRACKET	1
10	PF99901122	切线架压板 KNIFE HOLDER PRESSER PLATE	1
11	PFQ68209	连杆螺钉 SCREW M4	2
12	PF99901123	螺钉 SCREW M3 L=8	3
13	PFQ68213	主动刀 DRIVING KNIFE	1
14	PF90008114	动刀固定螺钉 SCREW 11/64-40	4
15	PFQ68211	刀轴连杆 KNIFE SHAFT CRANK ROD	1
16	PF90008116	刀轴连杆螺钉 SCREW 11/64-40	2
17	PF1900A0518	螺母 (M4) NUT (M4)	2
18	PFQ68205	切线驱动曲柄 TRIMMING CRANK	1
19	PF9000811801	切线驱动曲柄止动块 BLOCK	1
20	PF20521019	切线驱动曲柄螺钉 SCREW 3/16-28 L=14.5	1
21	PF90008121	复位弹簧 REPLACE SPRING	1

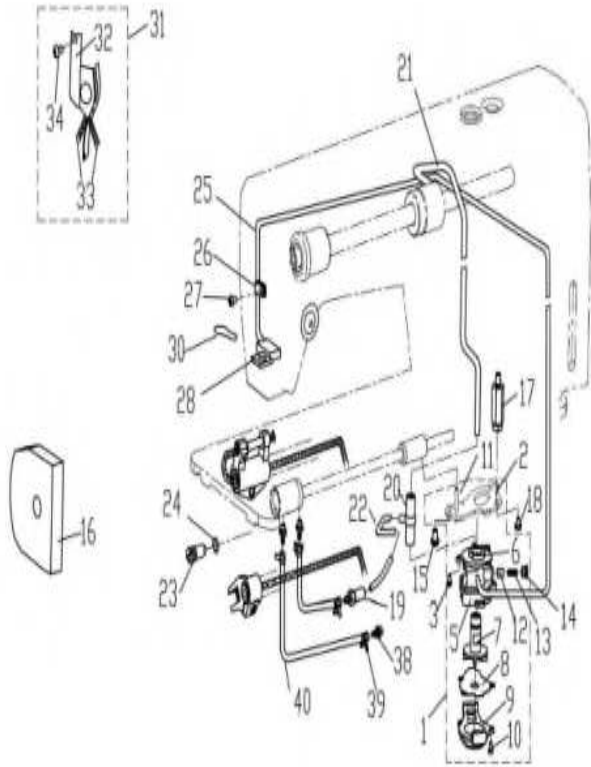
零件编号 (number)	零件品号 (Product number)	零件名称 (Product name)	Q7 用量 (Number of Q7 used)
22	PFQ70822	Q7切线驱动轴 DRIVE SHAFT	1
24	PF90008124	切线轴套 BUSHING	1
25	PF55506461	切线轴套紧定螺钉 SCREW 16/64-28 L=13	1
26	PFQ70839	轴用挡圈C7 SNAP SPRING	1
29	PFQ70852	Q7切线连杆 CONNECTING ROD	1
31	PF22840823	轴位螺钉 SCREW	2
43	PFQ68208	活定刀小连杆 LIVE KNIFE ADJUST LINK	1
44	PF7811222	螺钉 SCREW 11/64-40 L=9.5	1
45	PFQ68210	活定刀调节连杆 LIVE KNIFE ADJUST LINK	1
46	PFQ70842	切线板安装销 DRIVE SHAFT	1
47	PFQ70840	切线板 TANGENT PIN	1
48	PF1790S0705	螺母 TANGENT PLATE	1
49	PF9820K18	滚柱 ROLLER	1
50	PFQ70442	滚柱螺钉 AXIAL SCREW	1
51	PFQ70844	切线电机曲柄 TANGENT CRANK	1
54	BF310164531	螺钉 SCREW	1
55	PFQ70846	电机安装板1 MOTOR MOUNTING PLATE (ONE)	1
56	PFQ70848	电机安装板2 MOTOR MOUNTING PLATE (TWO)	1
57	PF68425E39	螺钉 SCREW	1

ELECTRIC CLAMP COMPONENTS



零件编号 (number)	零件品号 (Product number)	零件名称 (Product name)	Q7 用量 (Number of Q7 used)
02	PFS5T0902	照明灯 REVEVSE SEWING SWITCH	1
03	PF555016	照明灯固定螺钉 SCREW	2
05	PFS5T0905	电子夹线器 EIECTRIC CLAMP	1
06	PF9800TD409	电子夹线器固定螺钉 SCREW	1

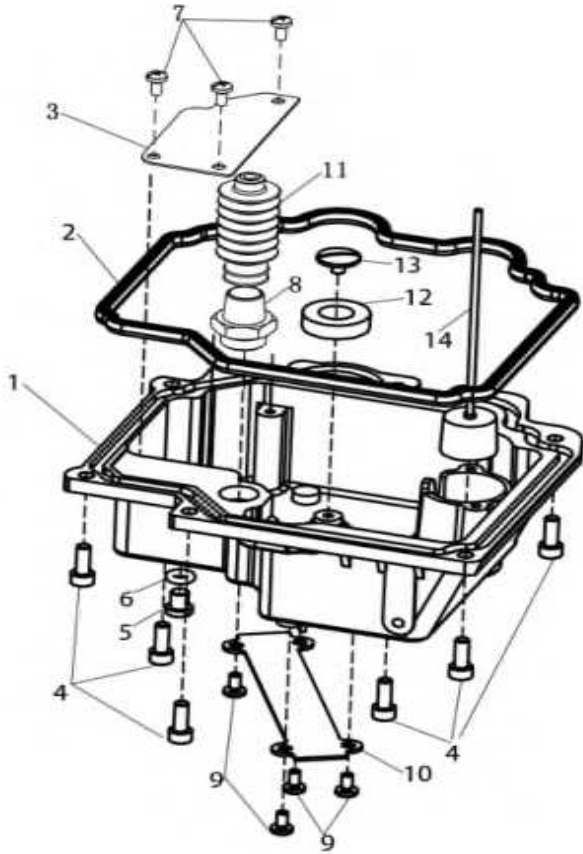
LUBRICATION COMPONENTS



零件编号 (number)	零件品号 (Product number)	零件名称 (Product name)	Q7 用量 (Number of Q7 used)
01	PFQ71013	Q7油泵部件 LUBRICATING OIL PUMP ASM	1
02	PFQ7101301	油泵安装板 OIL PUMP INSTALLING BASE	1
03	PF55508102	油泵安装螺钉 SCREW 15/64-28 L-9	3
05	PF55508103	油泵体 OIL PUMP	1
06	PF55508104	油泵体衬套 OIL PUMP BUSHING	1
07	PF55508105	油泵叶轮 OIL PUMP IMPELLER	1
08	PF55508106	油泵叶轮托板 OIL PUMP IMPELLER COVER	1
09	PF55508107	油泵盖分部件 LUBRICATION OIL PUMP COVER	1
10	PF55508108	油泵盖螺钉 SCREW	3
11	PF55508109	下轴供油管 HOOK DRIVING SHAFT OIL TUBE	1
12	PF55508110	回油柱塞 PLUNGER	1
13	PF55508111	柱塞簧 PLUNGER SPRING	1
14	PF55508112	柱塞螺钉 SCREW	1
15	PF2284014802	油泵螺钉 SCREW 15/64-28 L=9	1
16	PF90011038	海绵 SPONGE	1
17	PF5550815	油泵连接螺柱 OIL PUMP SUPPORT	1
18	PF555056	螺柱连接螺钉 SCREW 11/64-40 L=9.5	1
19	PFQ61019	旋梭供油接头(M8x1.25) OIL JOINT	1
20	PF5550817	供油管接头(三通) RUBBER JOINT	1
21	PF9800TD408	上轴供油管 MAIN SHAFT OIL TUBE	1

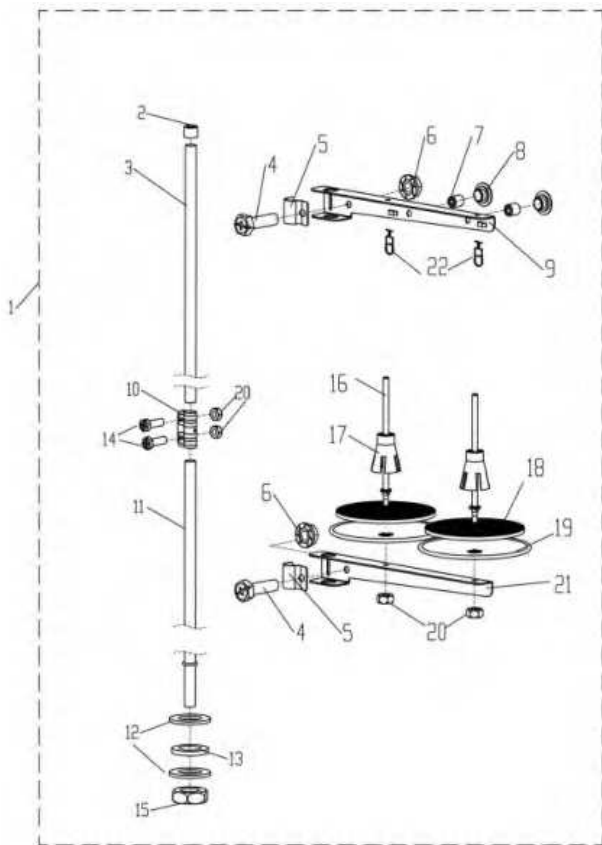
零件编号 (number)	零件品号 (Product number)	零件名称 (Product name)	Q7 用量 (Number of Q7 used)
22	PFQ71043	Q7供油管 OIL TUBE	1
23	PF90001023	油量调节螺钉 OIL ADJUSTING SCREW	1
24	PF9990819	油量调节螺钉O型圈 RUBBER RING	1
25	SCJ5030	回油管 OIL RETURN GUARD	1
26	PF5550827	回油管夹 OIL RETURN TUBE HOLDER	1
27	PF5550230	回油管夹螺钉 SCREW 3/16-28 L=6	1
28	PF5550830	回油毡 OIL FELT	1
30	PF5550831	回油毡夹 OIL FELT PRESSER	1
32	PF5550832	面部油线板 OIL WICK SUPPORT	1
33	PF5550833	面部油线 OIL WICK	1
34	PF5550834	面部油线板螺钉 SCREW 1/8-44 L=4	1
38	PFQ61023	油接头(M5-4.5) OIL JOINT	3
39	PF9990880	油管夹 OIL TUBE HOLDER	4
40	PFQ61022	油管 OIL TUBE	2

PRESSER FOOT COMPONENTS OF OIL PLATE KNEE LIFT



零件编号 (number)	零件品号 (Product number)	零件名称 (Product name)	Q7 用量 (Number of Q7 used)
01	PFQ71102	Q7油盘 OIL PLATE	1
02	PFQ71103	Q7油盘密封垫 OIL PLATE GASKET	1
03	PFQ71107	Q7油盘挡油板 OIL PLATE BATTLE	1
04	BF310164501	螺钉 SCREW	6
05	PF555095	排油孔螺钉 OIL EXPRACTION HOLE SCREW M8	1
06	PF555096	排油孔螺钉O型圈 RUBBER RING	1
07	PF1310D106	十字盘头螺钉 SCREW	3
08	PFQ71109	Q7油盘橡胶套螺钉 SCREW	1
09	PF1310D106	螺钉 SCREW	4
10	PFQ71110	Q7油盘走线压板 PRESSURE PLATE	1
11	PFQ71119	Q7橡胶波纹管 CORRUGATED PIPE	1
12	PF555097	油盘磁体 MAGNETS	1
13	PF03030474	油盘磁铁螺钉 SCREW	1
14	PFQ71118	油盘显示组件 OIL PLATE SUBASSEMBLY	1

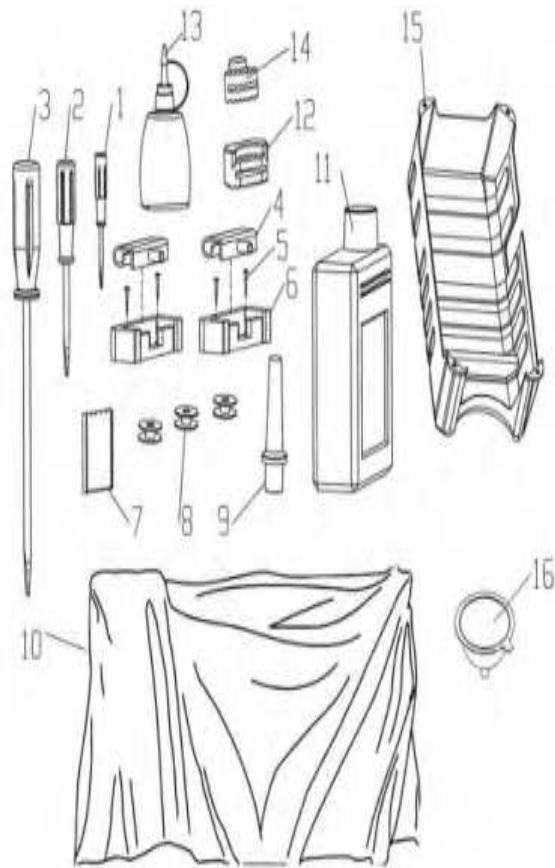
COMPONENTS OF THREAD-RUNNING STAND



零件编号 (number)	零件品号 (Product number)	零件名称 (Product name)	Q7 用量 (Number of Q7 used)
01	PF55501127	过线架组件 THREAD STAND AMS.	1
02	PF555011270101	撑管套 COLUMN CAP	1
03	PF5550112702	线架上撑管 COLUMN PIPE(UPPER)	1
04	PF5550112703	线架螺钉 SCREW	2
05	PF5550112704	线臂抱攀 THREAD GUIDE ARM JOINT	2
06	PF5550112705	法兰花齿螺母 NUT	2
07	PF5550112706	过线管 THREAD GUIDE PIPE	2
08	PF5550112707	过线管套 THREAD GUIDE BUSHING	1
09	PF5550112722	上过线架 THREAD HANGER(2 SPOOLS TUPE)	1
10	PF5550112709	撑管夹 COLUMN PIPE CONNECTOR	1
11	PF5550112710	线架下撑管 COLUMN PIPE(LOWER)	1
12	PF5550112711	垫圈 WASHER	1
13	PF5550112712	橡胶垫圈 WASHER	1
14	PF5550112713	撑管夹螺钉 SCREW	2
15	PF5550112714	下过线架螺母 NUT	1
16	PF5550112715	线轴 SPOOL PIN	2
17	PF5550112716	线盘塑料压块 SPOOL CUSHION	2
18	PF5550112717	线盘软垫 SOFT CUSHION OF THREAD PLARE	2
19	PF5550112718	线盘 THREAD PLATE	2
20	PF5550112719	撑管夹螺母 NUT	4

零件编号 (number)	零件品号 (Product number)	零件名称 (Product name)	Q7 用量 (Number of Q7 used)
21	PF5550112723	下过线架 THREAD HANGE(LOWER)	1
22	PF5550112721	过线圈 THREAD GUIDE RING	2

AUXILIARIES

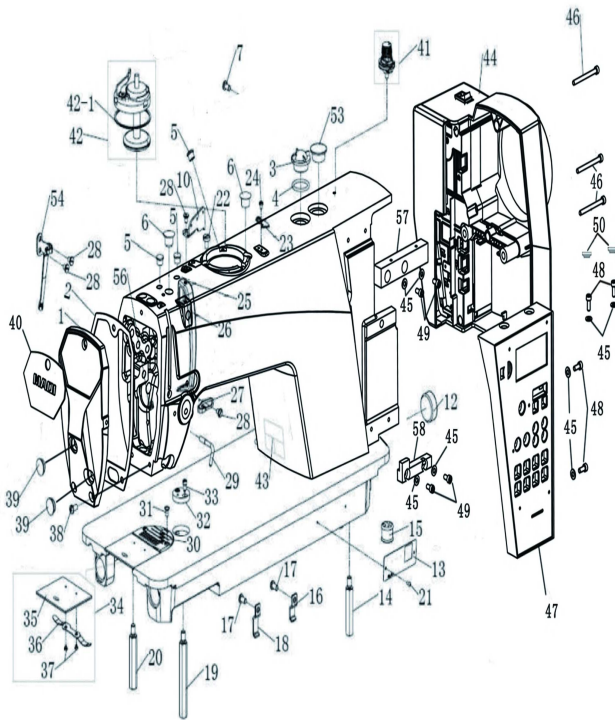


零件编号 (number)	零件品号 (Product number)	零件名称 (Product name)	Q7 用量 (Number of Q7 used)
01	PF55501018	螺丝刀 (小) SCREW DRIVER (SMALL)	2
02	PF55501017	螺丝刀 (中) SCREW DRIVER (MIDDIE)	1
03	PF55501016	螺丝刀 (大) SCREW DRIVER (LARGE)	1
04	PF5550101	机头连接钩部件 HINGE COMPL	2
05	SCJ6018	机头连接钩座钉 RUBBER CUSHION NAIL	6
06	PF5550102	机头连接钩座 RUBBER CUSHION	2
07	PFDTDB114	机针 NEEDLE	1
08	PF555053	梭心 BOBBIN	3
09	PFQ51425	机头支柱 FRAME SUPPORT BAR	1
10	PF0303104003	机头罩 FRAMEVINYL COVER	1
11	PF55501022	油箱 OIL BOTTLE WITH OIL	1
12	PF555099	机头支架 NOSE SUPPORT	2
13	PF61501105	小油壶 OILER ASM	1
14	PF555098	机头座垫 DIE CUSHION	2
15	PFQ61315	油盘托盘组件 DISK TRAY	1
16	BF31016YD	漏斗 FUNNEL	1

MACHINE FRAME&MISCELLANEOUS COVER COMPONENTS

Q5Te

1. 机壳分组件 MACHINE FRAME&MISCELLANEOUS COVER COMPONENTS

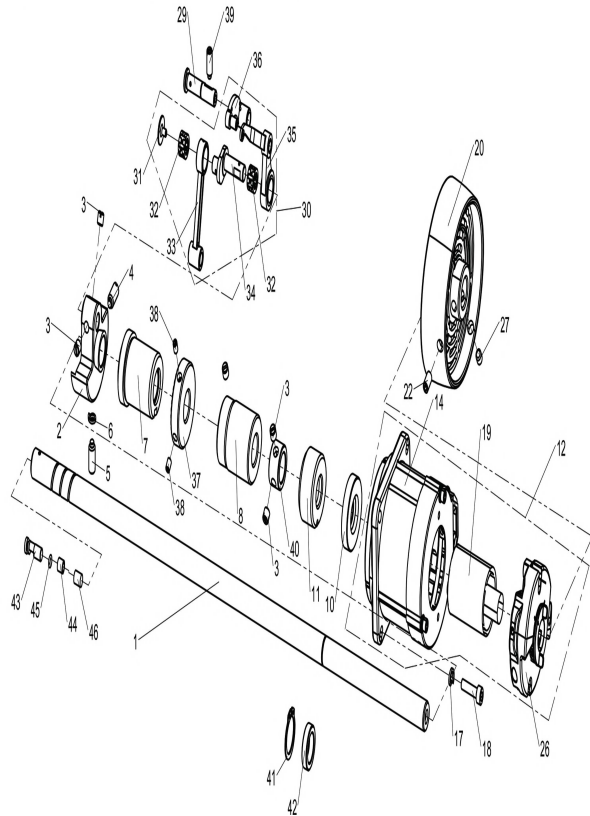


零件编号 (number)	零件品号 (Product number)	零件名称 (Product name)	Q5Te 用量 (Number of Q5Te used)
01	PFQ5TE0101	面板 FACE PLATE	1
02	PFQ5TE0102	面板垫 FACE PLATE GASKET	1
03	PF5550824	油窗 OIL WINDOW	1
04	PF5550825	油窗O型圈 THRUST COLLAR ASM	1
06	PF5550112	针杆曲柄螺孔塞 RUBBER PLUG	2
07	PF555016	后窗板螺钉 SCREW	7
10	PF0302113	三眼线钩 THREE EYELINER HOOK	1
12	PF5550115	下轴盲孔塞 RUBBER PLUG	1
13	PFS5T0113	型号牌 MODEL PLATE	1
14	PF555013	底板支柱 BED SCREW STUD	2
15	PF888056D131	电线过线套 NEEDLE BEARING	1
16	PF99901511	电线压板 (短) CORD HOLDER(S)	2
17	PF5550161	电线压板固定螺钉 SCREW	3
18	PF99901160	电线压板 (长) CORD HOLDER(L)	1
19	PF90000120	底板支柱 (长) BED SCREW STUD(L)	1
20	PF90000121	底板支柱 (中) BED SCREW STUD(M)	1
21	SCJ6071	型号牌铆钉 POLE	2
22	PF90000131	绕线器紧固定螺钉 SCREW	3
23	PF90000132	绕线切刀 THREAD CUTTER	1

零件编号 (number)	零件品号 (Product number)	零件名称 (Product name)	Q5Te 用量 (Number of Q5Te used)
24	PF68425K19	绕线切刀固定螺钉 SCREW	2
25	PF5550230	挑线杆护罩螺钉 SCREW	1
26	PFQ5126	挑线杆护罩 THREAD TAKE-UP LEVER COVER	1
27	PF5550316	右线钩 RIGHT ARM THREAD GUIDE	1
28	PF5550317	右线钩螺钉 SCREW	3
29	PF9520MXDK021	大线钩 LARGE ARM THREAD GUIDE	1
30-1	PF555063601D	针板 NEEDLE PLATE	1
30-2	PF0302141	针板M2.6 (H) NEEDLE PLATE (H)	1
31	PF5550637	针板螺钉 SCREW	2
32	PFQ50132	卷边器座 RULER PLATE	1
33	PF5550117	卷边器座螺钉 SCREW	1
34	PF5550638	推板组件 SLIDE PLATE ASM	1
35	PF555063801	推板 SLIDE PLATE	1
36	PF555063802	推板簧 SPRING OF SLIDE PLATE	1
37	PF555063803	推板螺钉 SCREW	2
38	PF5550161	面板螺钉 SCREW	3
39	PF8420M-D3010107	面板调节螺孔塞 RUBBER PLUG	2
40	BZ3314	面板装饰牌 PLATE	1
41	PFQ5141	绕线夹线器组件 BOBBIN THREAD TENSION ASM	1
42	PFS5T0142	绕线器 BOBBIN WINDER ASM	1
42-1	PF900001511	绕线器油封 OIL SEAL OF COILING WHEEL	1
43	BZ3141	黄底警告标贴 SAFETY-INDICATING PLATE	1
44	PFQ5TE0144	电控组件 PILLEY COVER ASM	1
45	SCJ3010	面板螺钉垫片 WASHER	8
46	PFQ5Te0146	电机罩固定螺钉 SCREW	3
47	PFQ5TE0147	操作面板组件 OPERATION PANEL	1
48	BF310164527	螺钉 SCREW	4
49	BF320264524	面板固定块固定螺钉 SCREW	2
53	PF98000187	调节孔孔塞 RUBBER PLUG	1
54	PFQ5129	左线钩 LEFT ARM THREAD GUIDE	1
56	PF9520MXDK02101	缓线勾紧固螺母 NUT	1
57	PFQ5TE0157	面板固定块I FIXING BLOCK I	1
58	PFQ5TE0158	面板固定块II FIXING BLOCK II	1
50	PFQ5TE20150	面板孔塞RUBBER PLUG	2
05	PF5550113	挑线连杆销螺孔塞RUBBER PLUG	5

MAIN SHAFT & THREAD TAKE-UP COMPONENTS

2. 上轴、挑线分组件 MAIN SHAFT & THREAD TAKE-UP COMPONENTS

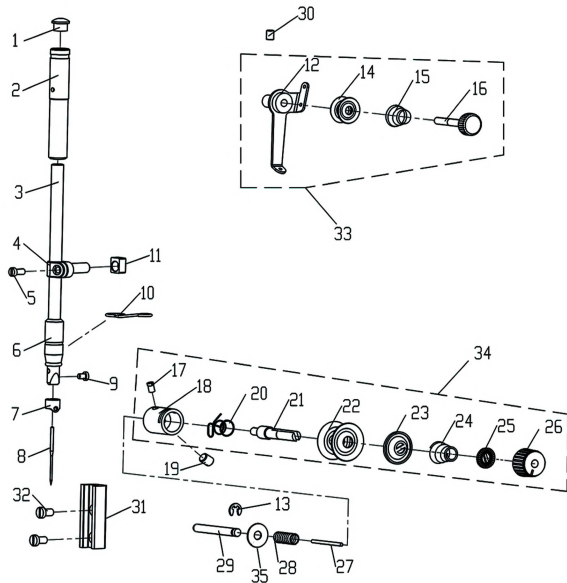


零件编号 (number)	零件品号 (Product number)	零件名称 (Product name)	Q5Te 用量 (Number of Q5Te used)
01	PFQ5F0201	上轴 MAIN SHAFT	1
02-1	PFQ60202	针杆曲柄 NEEDLE BAR CRANK	1
02-2	PFQ520201	针杆曲柄(H) NEEDLE BAR CRANK(H)	1
03	PF5550625	挑线曲柄定位螺钉 SCREW	4
04	PF5550218	针杆曲柄紧固螺钉 SCREW 9/32-28 L=16	1
05	PF5550216	针杆曲柄定位螺钉 SCREW	1
06	PF5550217	针杆曲柄定位螺钉O型圈 RUBBER RING	1
07	PFQ50207	上轴前轴套 FRONT BUSHING OF MAIN SHAFT	1
08	PF555028	上轴中轴套 MID BUSHING OF MAIN SHAFT	1
09	PF555029	上轴中轴套螺钉 SCREW	1
10	PF90000210	上轴油封 OIL SEAL	1
11	PF9802DP0205	上轴后套 UPPER SHAFT REAR SLEEVE	1
12	PFS5T0212	电机组件 MOTOR	1
13	PFS5T0213	电机后罩 MOTOR REAR COVER	1
14	PFS5T0214	电机定子 MOTOR STATOR	1
16	PFS5T0216	紧固螺钉 SCREW	6
17	SCJ3008	弹簧垫片 WASHER	4
18	SCJ2013	上轴电机螺钉 SCREW	4
19	PFS5T0219	电机转子 MOTOR ROTOR	1
20	PFS5T0220	上轮 HEAD WHEEL	1

零件编号 (number)	零件品号 (Product number)	零件名称 (Product name)	Q5Te 用量 (Number of Q5Te used)
22	PF1310B24	上轮螺钉 SCREW	1
26	PFS5T0226	电机罩壳 MOTOR HOOD	1
27	PF1310B24	上轮螺钉 SCREW	1
29	PF5550225	挑线杆铰链轴 THREEED TAKE-UP CRANK SHAFT	1
30-1	PF55500223A	挑线杆部件 THREEED TAKE-UP ASM.	1
30-2	PF5550K0223A	挑线杆部件 (K) THREEED TAKE-UP ASM.	1
30-3	PF5550H0223A	厚料挑线杆组件 (H) THREEED TAKE-UP ASM.	1
31	PF5550228	挑线曲柄左螺钉 SCREW	1
32	PF555022404	滚针轴承 BEARING	2
33	PF555031	针杆连杆 NEEDLE BAR CONNECTING ROD	1
34	PF55502201	挑线杆轴 THREEED TAKE-UP SHAFT	1
35	PF55502212	挑线杆 THREEED TAKE-UP	1
36	PF55502211	挑线杆连杆 THREEED TAKE-UP CONNECTING ROD	1
37	PF03030223	绕线主动轮 WHEEL	1
38	PF68425H33	绕线主动轮紧定螺钉 SCREW	2
39	PF555022	挑线杆铰链轴紧固螺钉 SCREW	1
40	PF555026	上轴挡圈 RETAINING RING	1
41	PFS5T0241	转子限位挡圈 RETAINING RING	1
42	PFQ5F0242	垫圈 RETAINING RING	1
43	PF5550213	上轴油量调节销 OIL AMOUNT ADJUSTING PIN	1
44	PF5550212	曲柄油量调节销 OIL ADJUSTING COLLAR	1
45	PF5550214	上轴油量调节销O型圈 RUBBER RING	1
46	PF5550211	曲柄油量限制毡 ROLLER FELT	1

NEEDLE BAR & THREAD TENSION COMPONENTS

3. 针杆、夹线分组件 NEEDLE BAR & THREAD TENSION COMPONENTS

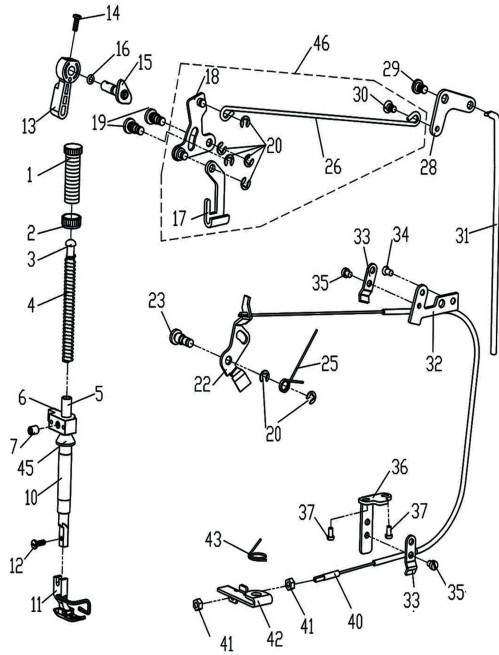


零件编号 (number)	零件品号 (Product number)	零件名称 (Product name)	Q5Te 用量 (Number of Q5Te used)
01	PF555037	针杆上轴套孔塞 RUBBER PLUG	1
02	PF555036	针杆上轴套 UPPER BUSHING OF NEEDLE BAR	1
03-1	PF90000303	针杆 NEEDLE BAR	1
03-2	PF90000303H	厚料针杆(H) NEEDLE BAR	1
04	PF555033	针杆连接柱 NEEDLE BAR HOLDER	1
05	PF55503301	针杆连接柱螺钉 SCREW 9/64-40 L=6	1
06-1	PF555038	针杆下轴套 LOWER BUSHING OF NEEDLE BAR	1
06-2	PF90000306H	针杆下套 (H) LOWER BUSHING OF NEEDLE BAR	1
07	PF5550311	针杆线钩 NEEDLE BAR THREAD GUIDE	1
08-1	PFDTDB114	机针 NEEDLE(DBx1#14)	1
08-2	PFDTDP521	机针(H) NEEDLE(DPx5#21)	1
09	PF5550312	机针螺钉 SCREW 1/8-44 L=4.5	1
10-1	PF888056D309	针杆下轴套线钩 NEEDLE BAR THREAD GUIDE	1
10-2	PF5550H39	针杆下轴套线钩 (H) NEEDLE BAR THREAD GUIDE	1
11	PF90010311	针杆连接柱滑块 SLIDE BLOCK	1
12	PFQ531216	上过线板 THREAD TENSION SPRING	1
13	SCJ1004	开口挡圈 SNAP RING	1
14	PFQ53121601	上夹线板 BOBBIN WINDER TENSION DISC	2
15	PFQ53121602	上夹线簧 THREAD TENSION SPRING	1
16	PFQ53121603	上夹线螺钉 SCREW	1

零件编号 (number)	零件品号 (Product number)	零件名称 (Product name)	Q5Te 用量 (Number of Q5Te used)
17	PFQ53172609	夹线螺钉紧固螺钉 SET SCREW 9/64-40 L=4	1
18	PFQ53172601	挑线簧调节座 TENSION POST SOCKET	1
19	PF5550330	夹线器螺钉 SCREW 15/64-28 L=7	1
20	PFQ53172602	挑线簧 TAKE-UP SPRING	1
21	PFQ53172603	夹线螺钉 SCREW	1
22	PFQ53172604	夹线板 TENSION DISC	2
23	PFQ53172605	松线板 TENSION DISC HOLDER	1
24	PFQ53172606	夹线簧 TENSION SPRING	1
25	PFQ53172607	夹线制动板 TENSION DISC STOPPER	1
26	PFQ53172608	夹线螺母 TENSION NUT	1
27	PF6150131	松线钉 THREAD RELEASE PIN	1
28	PF5550334	松线辅钉弹簧 TENSION RELEASE PIN SPRING	1
29	PF90000329	松线辅钉 TENSION RELEASE SUPPORTING PIN	1
30	PF68425H33	上夹线器螺钉 SCREW 11/64-40 L=6	1
31	F9001033101	针杆滑块槽 NEEDLE BAR TROUGH	1
32	PF6150227	滑块槽螺钉 SLIDE BLOCK 11/64-40 L=8	2
33	PFQ531216	上夹线器 Upper thread clamp	1
34-1	PFQ531726	大夹线器组件 Thread clamp assembly	1
34-2	PFQ5H31726	厚料大夹线器组件 Thread clamp assembly	1
35	PF5550132	松线辅钉垫片 TENSION RELEASE SUPPORTING PIN WASHER	1

PRESSER BAR & TENSION RELEASE COMPONENTS

4. 压料、松线分组件 PRESSER BAR & TENSION RELEASE COMPONENTS

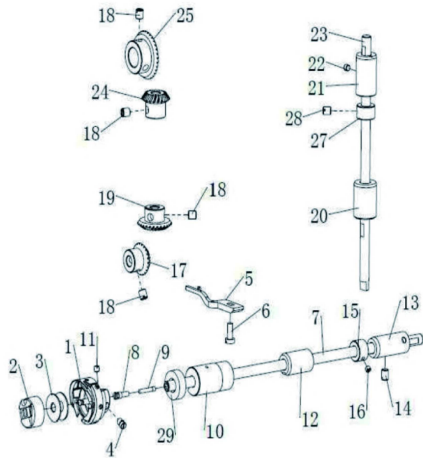


零件编号 (number)	零件品号 (Product number)	零件名称 (Product name)	Q5Te 用量 (Number of Q5Te used)
01	PFQ541	调压螺钉 PRESSER SPRING REGULATOR	1
02	PFQ542	调压螺母 NUT 1/2-28	1
03	PF555043	调压导杆 PRESSER GUIDE BAR	1
04	PF555044	调压簧 PRESSER SPRING	1
05	PF555045	压杆 PRESSER GUIDE BAR	1
06	PF90000406	压杆导架 NEDDLE BAR GUIDE BRACKET	1
07	PF555047	压杆导架螺钉 SCREW 1/4-40 L=8	1
10	PF5550410	压杆轴套 PRESSER BAR BUSHING LOWER	1
11-1	PF888056D411	活压脚部件 PRESSER FOOT ASM.	1
11-2	PF5550H411	活压脚部件(H) PRESSER FOOT ASM.	1
12	PF5550412	活压脚螺钉 SCREW 9/64-40 L=10.5	1
13	PFQ5413	压脚扳手 HAND LOFTER	1
14	PF5550412	压脚扳手螺钉 SCREW 9/64-40 L=10.5	1
15	PF90000415	压脚扳手凸轮部件 HAND LOFTER CAM ASM.	1
16	PF5550416	压脚扳手轴 O 型圈 RUBBER RING	1
17	PF90000417	压脚升降板 LIFTING LEVER	1
18	PF9000041801	抬压脚前杠杆部件 HAND LIFTER LINK ASM.	1
19	PF5550419	前杠杆螺纹销 THREAD PIN	2
20	SCJ1008	螺纹销开口挡圈 SNAP RING	7
22	PF5550422	松线顶板 TENSION RELEASE PLATE	1
23	PF5550423	松线顶板螺纹销 THREAD PIN	1
25	PF5550425	松线顶板复位簧 TENSION RELEASE RETURN SPRING	1
26	PF5550426	抬压脚拉杆 LIFTING LEVER CONNECTING ROD	1
28	PF5550428	抬压脚后杠杆 LIFTING LEVER LINK	1

零件编号 (number)	零件品号 (Product number)	零件名称 (Product name)	Q5Te 用量 (Number of Q5Te used)
29	PF5550429	后杠杆轴位螺钉 HINGE SCREW 15/64-28	1
30	PF5550430	抬压脚拉杆螺钉 HINGE SCREW 3/16-32	1
31	PF5550431	抬压脚顶杆 CONNECTING ROD VERTICAL	1
32	PF90000432	软管支承板 WIRE HOLDER BRACKET(UPPER)	1
33	PF90000438	软管压板 WIRE HOLDER	2
34	PF5550637	软管支承板螺钉 SCREW 11/64-40 L=8.5	1
35	PF5550725	软管压板螺钉 SCREW 11/64-40 L=5	2
36	PFQ60432	松线钢绳座 LOOSING LINE PLATE	1
37	PF68425E28	松线钢绳座螺钉 SCREW 9/64-40 L=7	2
40	PF90000440	松线钢丝组件 LOOSING LINE ASM.	1
41	PF9000044001	松线钢丝调节螺母 NUT 11/64-40	2
42	PF90000442	松线座 LOOSING LINE ASM.	1
43	PF90000443	松线复位弹簧 SPRING	1
45	PF5550432	压杆油封 PRESSER BAR OIL SEAL	1
46	PF90000418	抬压脚前杠杆部件 HAND LIFTER LINK ASM.	1

HOOK OF DRIVING SHAFT COMPONENTS

5. 勾线分组件 HOOK OF DRIVING SHAFT COMPONENTS

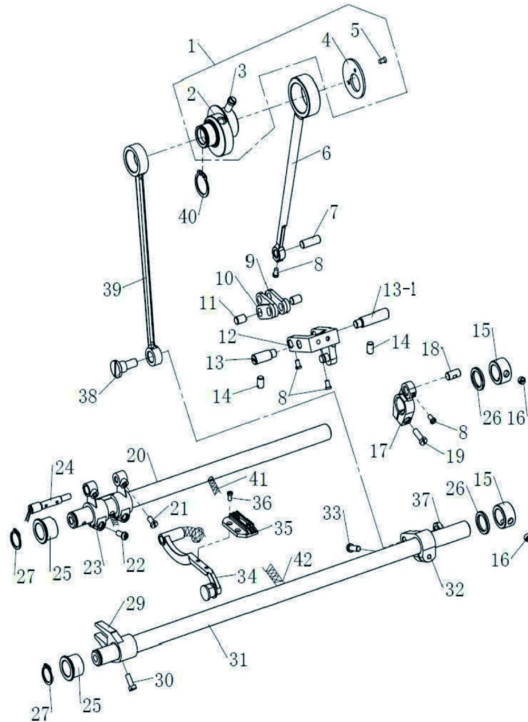


零件编号 (number)	零件品号 (Product number)	零件名称 (Product name)	Q5Te 用量 (Number of Q5Te used)
01	PF888056D50114	旋梭 HOOK ASM.	1
02	PF888056D5202	梭子 BOBBIN CASE ASM.	1
03	PF888056D503	梭心 BOBBIN	1
04	PF888056D5010801	旋梭紧固螺钉 SCREW	2
05	PF555055	旋梭定位钩 POSITIONING FINGER	1
06	BF700S039	旋梭定位钩螺钉 SCREW 11/64-40 L=9.5	1
07	PF90000507	下轴 HOOK DRIVING SHAFT	1
08	PF555058	下轴限油螺钉 OIL SEAL SCREW ASM.	1
09	PF55505901	下轴限油芯 OIL WICK	1
10	PF90000510	下轴前轴套 FRONT BUSHING	1
11	PF888056D5010802	旋梭紧定螺钉 SCREW	1
12	PF90000512	下轴中轴套 MID BUSHING	1
13	PF90000513	下轴后轴套 REAR BUSHING	1
14	PF555029	下轴后轴套螺钉 SCREW 3/16-28 L=15	2
15	PF6150404	下轴挡圈 SNAP RING	1
16	PF55506261	下轴挡圈螺钉 SCREW 1/4-40 L=8	2
17	PF555051805	下轴伞齿轮 (小) BEVEL GEAR (SMALL)	1
18	PF55505180501	伞齿轮螺钉 SCREW 1/4-40 L=8	8
19	PF555052005	竖轴下伞齿轮 (大) BEVEL GEAR (LARGE)	1
20	PF90000520	竖轴下轴套 LOWER BUSHING	1
21	PF90000521	竖轴上轴套 UPPER BUSHING	1
22	PF9800TD410	竖轴上轴套螺钉 SCREW 11/64-28 L=9	1
23	PF5550524	竖轴 UPRING SHAFT	1
24	PF555052505	竖轴上伞齿轮 (小) BEVEL GEAR (SMALL)	1

零件编号 (number)	零件品号 (Product number)	零件名称 (Product name)	Q5Te 用量 (Number of Q5Te used)
25	PF555052605	上轴伞齿轮 (大) BEVEL GEAR (LARGE)	1
27	PF6150404	竖轴上轴套挡圈 SNAP RING	1
28	PF5550330	竖轴上轴套挡圈螺钉 SCREW 1/4-40 L=8	2
29	PF9990709	下轴防油圈 OIL SEAL RING	1

FEED MECHANISM COMPONENTS

6. 送料分组件 FEED MECHANISM COMPONENTS

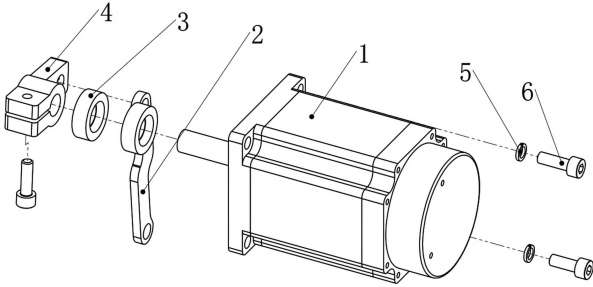


零件编号 (number)	零件品号 (Product number)	零件名称 (Product name)	Q5Te 用量 (Number of Q5Te used)
01-1	PFQ5F0601	送料偏心轮组件 FEED DRIVE ECCENTRIC CAM SAM.	1
01-2	PF55506202L	送料偏心轮组件 (L) FEED DRIVE ECCENTRIC CAM SAM.	1
02	PF555062	送料偏心轮 FEED DRIVE ECCENTRIC CAM	1
03	PF555063	送料偏心轮螺钉 SCREW 1/4-40 L=11	2
04	PF555064	送料偏心轮盖板 THRUST COLLAR	1
05	PF555065	偏心轮盖板螺钉 SCREW 9/64-40 L=5	2
06	PF555066	送料连杆 ROCKER SHAFT CONNECTING ROD	1
07	PF555067	送料连杆销 WALKING FOOT PIN	1
08	PF555068	连接销螺钉 SCREW 9/64-40 L=6	4
09	PF555069	送料长摆动板 LONG WALKING FOOT LINK	2
10	PF5550610	送料短摆动板 SHORT WALKING FOOT LINK	2
11	PF5550611	长摆动板连接销 WALKING FOOT PIN	2
12	PF888056D613	送料摆动板座部件 WALKING FOOT ADJUST LINK	1
13	PF5550614	送料摆动板座右销 ADJUSTING LINK FULCRUM SHAFT	1
13-1	PF555061601	送料摆动板座右销(φ10) ADJUSTING LINK FULCRUM SHAFT	1
14	PF6150326	左右销螺钉 SCREW 15/64-28 L=7	2
15	PF5550653	抬牙送布紧圈 RETAINING RING	2
16	PF6150304	送布轴紧固螺钉 SCREW	4
17	PF5550618	送料曲柄 FEED ROCKER SHAFT CRANK ASM.	1
18	PF5550619	送料曲柄销 WALKING FOOD PIN	1

零件编号 (number)	零件品号 (Product number)	零件名称 (Product name)	Q5Te 用量 (Number of Q5Te used)
19	PF5550621	送料曲柄螺钉 SCREW 9/64-28 L=14	1
20	PF9000620	送布轴 FEED ROCKER SHAFT	1
21	PF9000621	牙架曲柄轴螺钉 SCREW	2
22	PF5550633	牙架曲柄固定螺钉 SCREW	2
23	PF9000623	牙架曲柄 FEED CRACKET	1
24	PF9000624	牙架销 FEED BAR SHAFT	1
25	PF9000625	送料轴前轴套 FEED ROCKER SHAFT BUSHING	2
26	PF6150529	拾牙送布轴轴套垫圈 WASHER	2
27	SCJ1036	拾牙送布轴轴用挡圈 RETAINING RING	2
29	PF9000629	拾牙叉型曲柄 DRIVING SHAFT CRANK ASM.	1
30	PF6150607	拾牙叉型曲柄螺钉 SCREW 11/64-40 L=10.5	1
31	PF9000631	拾牙轴 FEED DRIVING SHAFT	1
32	PF9000632	拾牙后曲柄 REAR CRACK ASM.	1
33	PF5550648	拾牙后曲柄螺钉 SCREW 3/16-28 L=12	1
34	PF9000634	牙架组件 FEED ROCKER BASE ASM.	1
35-1	PF5550634B	送料牙 FEED DOG	1
35-2	PF030341	送布牙-13齿 (H) FEED DOG	1
36	PF5550635	送料牙螺钉 SCREW 1/8-44 L=6	2
37	PF5550651	拾牙连杆轴位螺母 NUT	1
38	PF5550650	拾牙连杆轴位螺钉 SCREW	1
39	PF5550649	拾牙连杆 CONNECTING ROD	1
40	PF5550652	拾牙连杆轴用挡圈 SNAP RING	1
41	PF5550627	送料轴油线 OIL WICK	1
42	PF5550627	拾牙轴油线 OIL WICK	1

STEPPER FEED REGULATING COMPONENTS

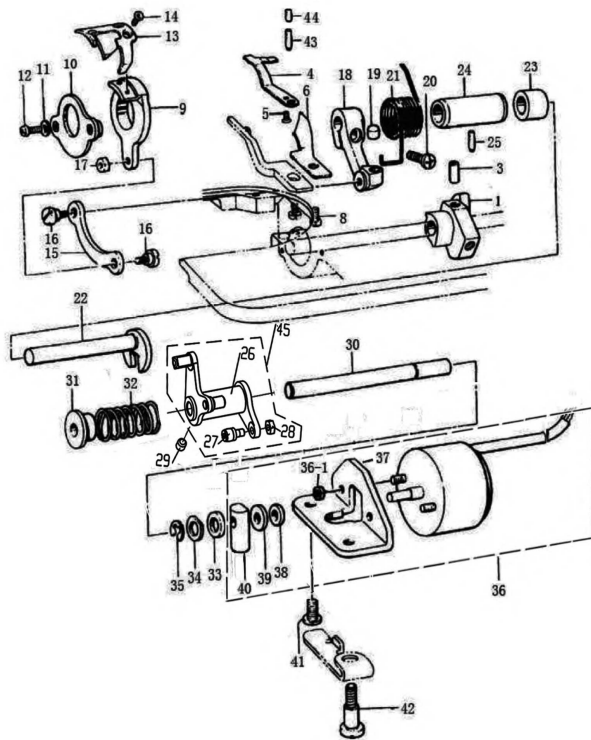
7. 步进送料、调节分组件 STEPPER FEED REGULATING COMPONENTS



零件编号 (number)	零件品号 (Product number)	零件名称 (Product name)	Q5Te 用量 (Number of Q5Te used)
01	PFQ5TE07101	步进电机 (Q5TE-2) MOTOR (Q5TE-2)	1
02	PFQ5F07105	连杆 CONNECTING ROD	1
03	PFQ5F07102	油封 OIL SEAL	2
04	PFQ5F07104	曲柄 CRANK	1
05	SCJ3008	M5弹垫 SPRING WASHERS	4
06	BF310164501	螺钉 SCREW	5

ROUND KNIFE COMPONENTS

8. 剪线分组件

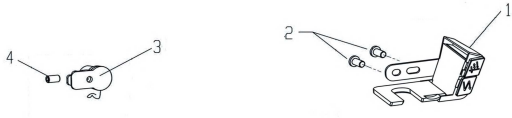


零件编号 (number)	零件品号 (Product number)	零件名称 (Product name)	Q5Te 用量 (Number of Q5Te used)
01	PF90008101	剪线凸轮 THREAD TRIMMER CAM	1
03	PF90008103	剪线凸轮螺钉 SCREW 1/4-40 L=10	2
04	PF90008104	定刀 CONNTER KNIFE	1
05	PF68425H26	定刀固定螺钉 SCREW	1
06	PF90008106	分线器 DISPART THREAD SHUTTLE	1
08	PF6150211	分线器固定螺钉 SCREW	1
09	PF90008109	动刀架 ROUND KNIFE BRACKET	1
10	PF90008110	刀架压板组件 KNIFE HOLDER ASM	1
11	PF5550630	刀架压板垫圈 WASHER	2
12	PF90008112	刀架压板螺钉 SCREW	2
13-1	PF9000811301	45#动刀 ROUND KNIFE	1
13-2	PF90008113	46#动刀 (H) ROUND KNIFE	1
14	PF90008114	动刀固定螺钉 SCREW	2
15	PF90008115	刀轴连杆 KNIFE SHAFT CRANK ROD	1
16	PF90008116	刀轴连杆螺钉 SCREW	2
17	PF90008117	刀轴连杆螺母 NUT	1
18	PF90008118	切线驱动曲柄 TRIMMING CRANK	1
19	PF9000811801	切线驱动曲柄止动块 BLOCK	1
20	PF9000812001	切线驱动曲柄螺钉 SCREW	1
21	PF90008121	复位弹簧 REPLACE SPRING	1

零件编号 (number)	零件品号 (Product number)	零件名称 (Product name)	Q5Te 用量 (Number of Q5Te used)
22	PF90008122	切线驱动曲柄轴 TRIMMING CRANK SHAFT	1
23	PF90008123	驱动曲柄轴短套 SHORT BUSHING	1
24	PF90008124	切线轴套 BUSHING	1
25	PF55506461	切线轴套紧定螺钉 SCREW	1
26	PF9000812603	切线凸轮曲柄组件 TRIMMING CAM CRANK ASM.	1
27	PF9000812601	滚柱轴分组件 ROLLER BEARING SHAFT ASM.	1
28	PF9000812602	螺母 NUT 11/64-40	1
29	PF90008129	切线凸轮曲柄紧定螺钉 SCREW 1/4-40 L=6	1
30	PF90008130B	切刀驱动轴 TRIMMING SHAFT	1
31	PF90008131	扭簧端盖 SPRING COVER	1
32	PF90008132	剪线电磁铁复位弹簧 SPRING	1
33	PF90008133	切线磁铁垫圈 WASHER	1
34	PF90008134	切线驱动轴垫圈 CLIP	1
35	SCJ1009	切线驱动轴卡圈 WASHER	1
36	PFS5T0836	剪线电磁铁组件 THREAD TRIMMER SOLENOID ASM.	1
36-1	PF980280401	螺母 (M4) NUT(M4)	2
37	PF980280402	剪线电磁铁安装座 SOLENOID BASE	1
38	PF980280403	电磁铁缓冲垫 WASHER	1
39	PF980280404	垫圈 WASHER	1
40	PF980280405	切线电磁铁连接体 SOLENOID CONNECTING SHAFT	1
41	PF90008141	剪线电磁铁架固定螺钉 SCREW 1/4-28	1
42	PF90008142	松线座螺钉 SCREW 1/4-28	1
43	PF900081412	定刀顶紧螺钉 SCREW 1/8-44X6	1
44	BF7005292	定刀顶紧螺钉 SCREW 1/8-44X3	1
45	PF90008126	切线凸轮曲柄组件 TRIMMING CAM CRANK ASM.	1

ELECTRIC CLAMP COMPONENTS

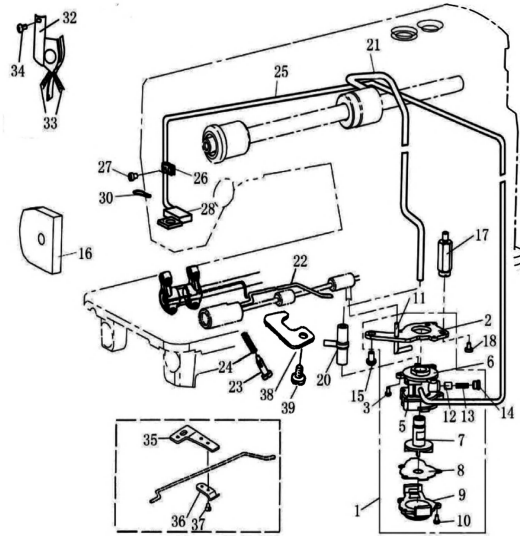
9. 电子夹线组件 ELECTRIC CLAMP COMPONENTS



零件编号 (number)	零件品号 (Product number)	零件名称 (Product name)	Q5Te 用量 (Number of Q5Te used)
01	PFQ5TE2090201	三键照明灯 THREE BOND SEWING SWITCH	1
02	PF555016	照明灯固定螺钉 SCREW	2
03	PFS5T0905	电子夹线器 ELECTRIC CLAMP	1
04	PF9800TD409	电子夹线器固定螺钉 SCREW	1

LUBRICATION COMPONENTS

10. 润滑分组件 LUBRICATION COMPONENTS

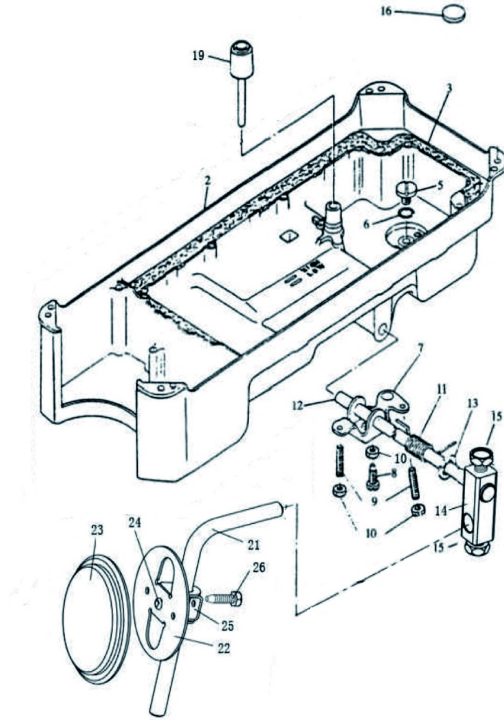


零件编号 (number)	零件品号 (Product number)	零件名称 (Product name)	Q5Te 用量 (Number of Q5Te used)
01	PF555081	油泵部件 LUBRICATING OIL PUMP ASM.	1
02	PF55508101	油泵安装板 OIL PUMP INSTALLING BASE	1
03	PF55508102	油泵安装螺钉 SCREW 15/64-28 L=9	3
05	PF55508103	油泵体 OIL PUMP	1
06	PF55508104	油泵体衬套 OIL PUMP BUSHING	1
07	PF55508105	油泵叶轮 OIL PUMP IMPELLER	1
08	PF55508106	油泵叶轮托板 OIL PUMP IMPELLER COVER	1
09	PF55508107	油泵盖分部件 LUBRICAING OIL PUMP COVER	1
10	PF55508108	油泵盖螺钉 SCREW	3
11	PF55508109	下轴供油管 HOOK DRIVING SHAFT OIL TUBE	1
12	PF55508110	回油柱塞 PLUNGER	1
13	PF55508111	柱塞簧 PLUNGER SPRING	1
14	PF55508112	柱塞螺钉 SCREW	1
15	PF2284014802	螺钉 SCREW	1
16	PF90011038	海绵 SPONGE	1
17	PF5550815	油泵连接螺柱 OIL PUMP SUPPORT	1
18	PF555056	螺柱连接螺钉 SCREW 11/64-40 L=9.5	1
20	PF5550817	供油管接头 (三通) RUBBER JOINT	1
21	PF9800TD408	上轴供油管 MAIN SHAFT OIL TUBE	1
22	PF90001022	旋梭供油管 (旋刀机构用) OIL TUBE	1

零件编号 (number)	零件品号 (Product number)	零件名称 (Product name)	Q5Te 用量 (Number of Q5Te used)
23	PF90001023	油量调节螺钉 OIL ADJUSTING SCREW	1
24	PF90001024	油量调节簧 SPRING	1
25	SCJ5009	回油管 OIL RETURN GUARD	1
26	PF5550827	回油管夹 OIL RETURN TUBE HOLDER	1
27	PF5550230	回油管夹螺钉 SCREW 1/8-28 L=6	1
28	PF5550830	回油毡 OIL FELT	1
30	PF5550831	回油毡夹 OIL FELT PRESSER	1
32	PF5550832	面部油线板 OIL WICK SUPPORT	1
33	PF5550833	面部油线 OIL WICK	1
34	PF5550834	面部油线板螺钉 SCREW	1
35	PF888056D442	软管下支承板 WIRE HOLDER BARCKET (LOWER)	1
36	PF888056D437	软管下支承板压板 WIRE HOLDER	1
37	PF5550725	软管下支承板压板螺钉 SCREW 11/64-40 L=5	1
38	PF5550822	旋梭油量供油压板 WIRE HOLDER	1
39	PF888056D730	安装螺钉 SCREW	1

PRESSER FOOT COMPONENTS OF OIL PLATE KNEE LIFT

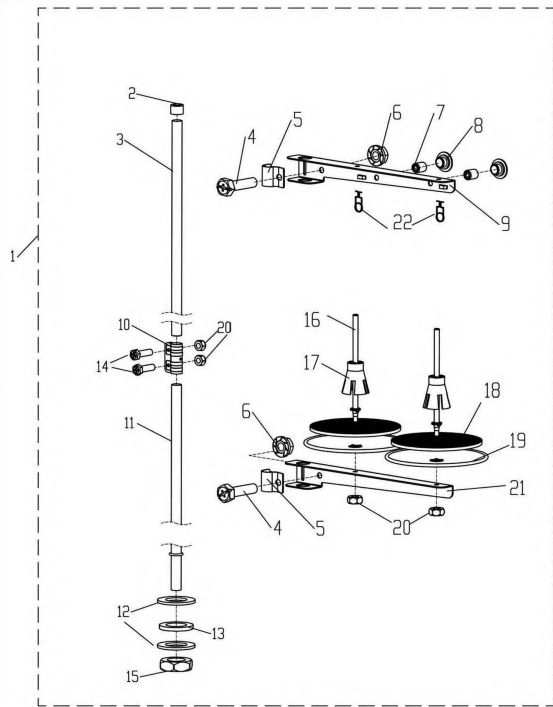
11. 油盘膝提抬压脚分组件 PRESSER FOOT COMPONENTS OF OIL PLATE KNEE LIFT



零件编号 (number)	零件品号 (Product number)	零件名称 (Product name)	Q5Te 用量 (Number of Q5Te used)
02	PF555092	油盘 OIL PLATE	1
03	PF555093	油盘垫 OIL PLATE BED	1
05	PF555095	排油孔螺钉 OIL EXTRACTION HOLE SCREW	1
06	PF555096	排油孔螺钉O型圈 RUBBER RING	1
07	PF5550912	抬压脚双向曲柄 TWO-WAY CRANK	1
08	PF5550913	双向曲柄螺钉 SCREW	1
09	PF5550914	双向曲柄限位调节螺钉 BANKING SCREW OF TWO-WAY CRANK	2
10	PF5550915	双向曲柄限位调节螺母 BANKING NUT OF TWO-WAY CRANK	3
11	PF5550916	双向曲柄扭簧 TWISTING SPRING	1
12	PF5550917	抬压脚轴 LIFTING PRESSOR FOOT SHAFT	1
13	SCJ1014	抬压脚轴开口挡圈 OPEN SHIELD RING	1
14	PF5550919	抬压脚轴操纵杆接头 OPERATING BAR HEAD	1
15	PF5550930	操纵杆接头螺钉 OPERATING BAR HEAD SCREW	2
16	SCJ6012	油盘磁铁 OIL PLATE MAGNET	1
19	PF5550911	抬压脚顶销 TOP PIN	1
21	PF5550922	操纵杆 OPERATING BAR	1
22	PF5550923	操纵板 OPERATING PLATE	2
23	PF5550924	操纵板软垫 SOFT CUSHION OF OPERATING BAR	1
24	PF5550925	操纵板垫 OPERATING BAR BED	1
25	PF5550926	操纵杆接头 OPERATING BAR TIP	1
26	PF5550927	接头螺钉 TIP SCREW	1

COMPONENTS OF THREAD-RUNNING STAND

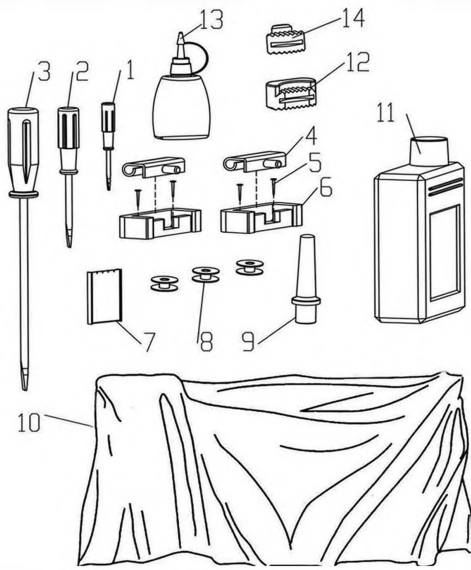
12. 过线架分组件



零件编号 (number)	零件品号 (Product number)	零件名称 (Product name)	Q5Te 用量 (Number of Q5Te used)
01	PF55501127	过线架组件 THREAD STAND AMS.	1
02	PF5550112701	撑管套 COLUMN CAP	1
03	PF5550112702	线架上撑管 COLUMN PIPE(UPPER)	1
04	PF5550112703	线架螺钉 SCREW	2
05	PF5550112704	PF5550112704	2
06	PF5550112705	法兰花齿螺母 NUT	2
07	PF5550112706	过线管 THREAD GUIDE PIPE	2
08	PF5550112707	过线管套 THREAD GUIDE BUSHING	2
09	PF5550112708	上过线架 THREAD HANGER(2 SPOOLS TUPE)	1
10	PF5550112709	撑管夹 COLUMN PIPE CONNECTOR	1
11	PF5550112710	线架下撑管 COLUMN PIPE(LOWER)	1
12	PF5550112711	垫圈 WASHER	2
13	PF5550112712	橡胶垫圈 WASHER	1
14	PF5550112713	撑管夹螺钉 SCREW	2
15	PF5550112714	下过线架螺母 NUT	1
16	PF5550112715	线轴 SPOOL PIN	2
17	PF5550112716	线盘塑料压块 SPOOL CUSHION	2
18	PF5550112717	线盘软垫 SOFT CUSHION OF THREAD PLARE	2
19	PF5550112718	线盘 THREAD PLATE	2
20	PF5550112719	撑管夹螺母 NUT	4
21	PF5550112720	下过线架 THREAD HANGE(LOWER)	1
22	PF5550112721	过线圈 THREAD GUIDE RING	2

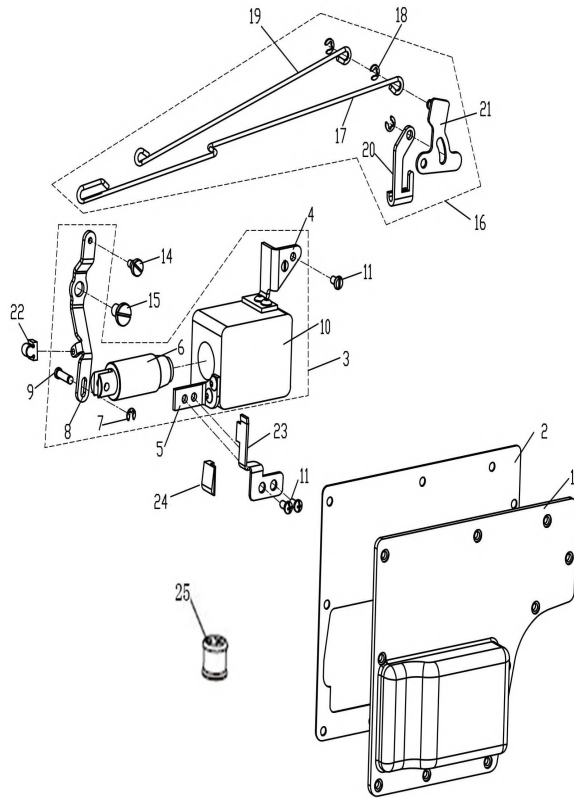
AUXILIARIES

13. 附件



零件编号 (number)	零件品号 (Product number)	零件名称 (Product name)	Q5Te 用量 (Number of Q5Te used)
01	PF55501018	螺丝刀 (小) SCREW DRIVER (SMALL)	1
02	PF55501017	螺丝刀 (中) SCREW DRIVER (MIDDLE)	1
03	PF55501016	螺丝刀 (大) SCREW DRIVER (LARGE)	1
04	PF5550101	机头连接钩部件 HINGE COMPL	2
05	SCJ6018	机头连接钩座钉 RUBBER CUSHION NAIL	6
06	PF5550102	机头连接钩座 RUBBER CUSHION	2
07	PFDTDB114	机针 NEEDLE	4
08	PF555053	梭心 BOBBIN	3
09	PFQ51425	机头支柱 FRAME SUPPORT BAR	1
10	PF03031040	机头罩 FRAMEVINYL COVER	1
11	PF55501022	油箱 OIL BOTTLE WITH OIL	1
12	PF555099	机头支架 NOSE SUPPORT	1
13	PF61501105	小油壶 OILER ASM.	1
14	PF555098	机头座垫 DIE CUSHION	2

AUTOMATIC PRESSER FOOT LIFTER COMPONENTS



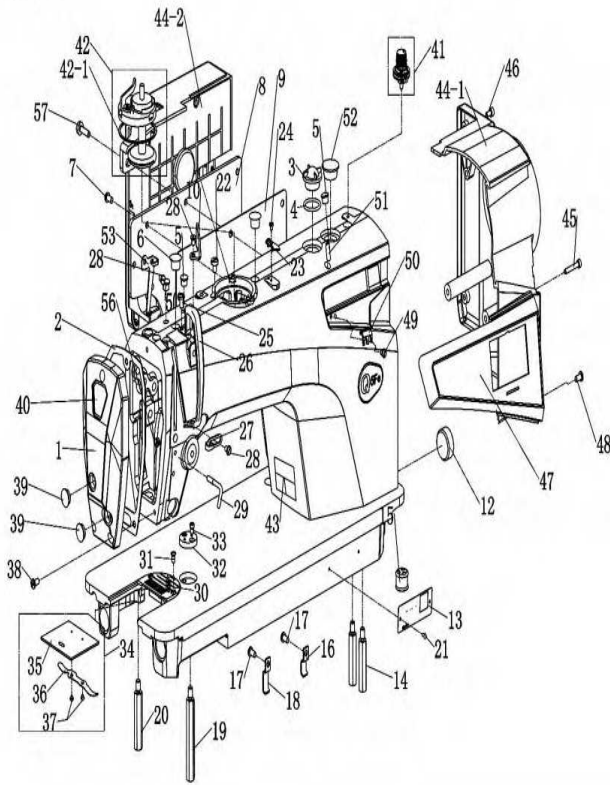
零件编号 (number)	零件品号 (Product number)	零件名称 (Product name)	Q5Te 用量 (Number of Q5Te used)
01	PFQ51414A	后窗板 FACE PLATE	1
02	PFQ51424A	后窗板垫 FACE PLATE GASKET	1
03	PFS5T1403	抬压脚电磁铁组件 PRESSER FOOT SOLENOID ASM.	1
04	PFQ514301	右支架 RIGHT STAND	1
05	PFQ514302	左支架 LEFT STAND	1
06	PFQ514303	抬压脚电磁体铁芯 SOLENOID CORE	1
07	PFQ514304	铁芯连接销卡簧 SNAP RING	1
08	PFQ514305	摆动杆 CRANK ROD	1
09	PFQ514306	铁芯连接销 IRON-CORE CONNECTING PIN	1
10	PFQ514307	电磁铁线圈基体 PRESSER FOOT SOLENOID	1
11	PF5550161	支架固定螺钉 SCREW 3/16-28 L=12	4
14	PF7810616	长拉杆连接螺钉 SCREW	1
15	PFQ51415	摆动杆轴位螺钉 SCREW	1
16	PFQ51416	自动抬压脚前杠杆组件 HAND LIFTER LINK ASM.	1
17	PFQ5141601	自动抬压脚拉杆 (长) CONNECTING ROD(LONG)	1
18	SCJ1008	连接卡簧 SNAP RING	3
19	PF5550425	抬压脚拉杆 LIFTING LEVER CONNECTING ROD	1
20	PF9000041801	压脚升降板 LIFTING LEVER	1
21	PF90000417	抬压脚前杠杆部件 HAND LIFTER LINK	1
22	PFQ51422	缓冲垫 RUBBER PLUG	1

零件编号 (number)	零件品号 (Product number)	零件名称 (Product name)	Q5Te 用量 (Number of Q5Te used)
23	PFQ51423A	缓冲挡板 BUFFER BAFFLE	1
24	PFS5T1423	防护垫 PROTECTIVE PAD	1
25-1	PF888056D131	电线过线套(两孔) WIRE CROSSING SLEEVE (TWO HOLES)	1
25-2	PF9800TD406	电线过线套(三孔) WIRE CROSSING SLEEVE (THREE HOLES)	1

MACHINE PRAME & MISCELLANEOUS COVER COMPONENTS

Q5Fe

1. 机壳分组件

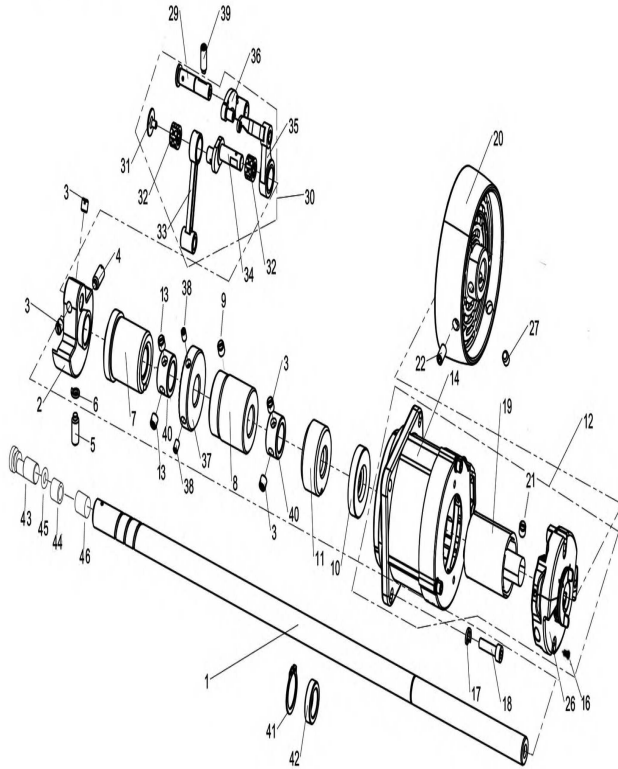


零件编号 (number)	零件品号 (Product number)	零件名称 (Product name)	Q5Fe 用量 (Number of Q5Fe used)
01	PFQ511	面板 FACE PLATE	1
02	PFQ512	面板垫FACE PLATE GASKET	1
03	PF5550824	油窗 OIL WINDOW	1
04	PF5550825	油窗O型圈THRUST COLLAR ASM	1
05	PF5550113	挑线连杆销螺孔塞 RUBBER PLUG	3
06	PF5550112	针杆曲柄螺孔塞RUBBER PLUG	1
07	PF555016	后窗板螺钉SCREW	7
08-1	PFQ51414A	后窗板(四自动)SIDE PLATE	1
08-2	PFQ518	后窗板(三自动)SIDE PLATE	1
09-1	PFQ51424A	后窗板垫(四自动)SIDE PLATE GASKET	1
09-2	PFQ519	后窗板垫(三自动)SIDE PLATE GASKET	1
10	PFQ5110	三眼线钩 THREE EYELINER HOOK	1
12	PF5550115	下轴盲孔塞RUBBER PLUG	1
13	BZ3097	型号牌MODEL PLATE	1
14	PF555013	底板支柱 BED SCREW STUD	2
15	PF888056D131	电线过线套NEEDLE BEARING	1
16	PF99901511	电线压板 (短) CORD HOLDER(S)	2
17	PF5550161	电线压板固定螺钉 SCREW	3
18	PF99901160	电线压板 (长) CORD HOLDER(L)	1
19	PF90000120	底板支柱 (长) BED SCREW STUD(L)	1
20	PF90000121	底板支柱 (中) BED SCREW STUD(M)	1

零件编号 (number)	零件品号 (Product number)	零件名称 (Product name)	Q5Fe 用量 (Number of Q5Fe used)
21	SCJ6071	型号牌铆钉POLE	2
22	PF90000131	绕线器紧固固定螺钉 SCREW	3
23	PF90000132	绕线切刀 THREAD CUTTER	1
24	PF68425K19	绕线切刀固定螺钉SCREW	2
25	PF5550230	挑线杆护罩螺钉SCREW	1
26	PFQ5126	挑线杆护罩THREAD TAKE-UP LEVER COVER	1
27	PF5550316	右线钩RIGHT ARM THREAD GUIDE	1
28	PF5550317	右线钩螺钉SCREW	3
29	PF9520MXDK021	大线钩LARGE ARM THREAD GUIDE	1
30-1	PF555063601B	针板 NEEDLE PLATE	1
31	PF5550637	针板螺钉 SCREW	2
32	PFQ50132	卷边器座 RULER PLATE	1
33	PF5550117	卷边器座螺钉 SCREW	2
34	PF5550638	推板组件 SLIDE PLATE ASM	1
35	PF555063801	推板 SLIDE PLATE	1
36	PF555063802	推板簧SPRING OF SLIDE PLATE	1
37	PF555063803	推板螺钉 SCREW	2
38	PF5550161	面板螺钉 SCREW	3
39	PF5550111	面板调节螺孔塞RUBBER PLUG	2
40	PFQ50140	面板装饰牌PLATE	1
41	PFQ5141	绕线夹线器组件BOBBIN THREAD TENSION ASM	1
42	PF90000157	绕线器BOBBIN WINDER ASM	1
42-1	PF900001511	绕线器油封OIL SEAL OF COILING WHEE	1
43	PFQ1139	安全指示牌SAFETY-INDICATING PLATE	1
44-1	PFQ5FDKZJSF08	电控壳PILLEY SIDE COVER ASM	1
44-2	PFQ5FDKZJSF01	电控 PILLEY ACCESSORY	1
45	PFS5T0149	电机罩组件固定螺钉 (长) SCREW (LONG)	3
46	BF310164527	螺钉 SCREW	2
47	PFQ5F0147	操作面板组件 OPERATION PANEL	1
48	PFQ50148	操作面板组件固定螺钉 SCREW	1
49	PFQ5149	支架固定螺钉 SCREW	2
50	PFQ5150	支架 STAND	1
51	SCJ2032	操作面板顶紧螺钉SCREW M5 L=25	1
52	PF98000187	调节孔孔塞RUBBER PLUG	1
53	PFQ5129	左线钩LEFT ARM THREAD GUIDE	1
56	PF9520MXDK02101	缓线勾紧固螺母NUT	1
57	PFQ571	针距标盘螺钉SCREW	1
58	PFQ5FDKZJ01	电控组件(按键屏)PILLEY COVER ASM (-I)	1
59	PFQ5FDKZJ	电控组件(触摸屏)PILLEY COVER ASM (-II)	1
5	PF5550113	挑线连杆销螺孔塞 RUBBER PLUG	3
30-2	PF0302141A	针板 M2.6NEEDLE PLATE	1

MAIN SHAFT & THREAD TAKE-UP COMPONENTS

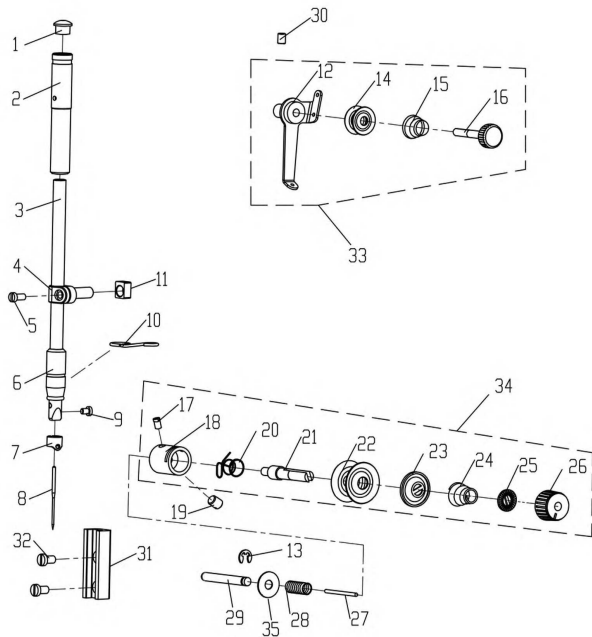
2. 上轴、挑线分组件



零件编号 (number)	零件品号 (Product number)	零件名称 (Product name)	Q5Fe 用量 (Number of Q5Fe used)
03	PF5550625	挑线曲柄定位螺钉 SCREW	4
13	PF90008129	切线凸轮廓柄紧定螺钉SCREW 1/4-40 L=6	2
32	PF555022404	滚针轴承 BEARING	2
38	PF68425H33	绕线主动轮紧定螺钉SCREW	2
40	PF555026	上轴挡圈 RETAINING RING	2

NEEDLE BAR & THREAD TENSION COMPONENTS

3. 针杆、夹线分组件

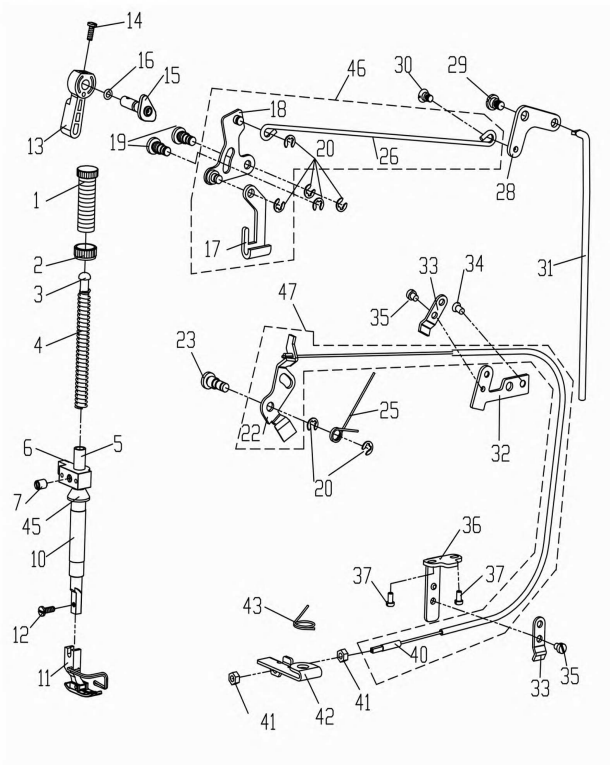


零件编号 (number)	零件品号 (Product number)	零件名称 (Product name)	Q5Fe 用量 (Number of Q5Fe used)
01	PF555037	针杆上轴套孔塞RUBBER PLUG	1
02	PF555036	针杆上轴套UPPER BUSHING OF NEEDLE BAR	1
03-1	PF90000303	针杆 NEEDLE BAR	1
03-2	PF90000303H	针杆(厚料)NEEDLE BAR Heavy	1
04	PF555033	针杆连接柱NEEDLE BAR HOLDER	1
05	PF55503301	针杆连接柱螺钉SCREW 9/64-40 L=6	1
06-1	PF55503802	针杆下轴套LOWER BUSHING OF NEEDLE BAR	1
06-2	PF90000306H	针杆下套(厚料)LOWER BUSHING OF NEEDLE BAR Heavy	1
07	PF5550311	针杆线钩 NEEDLE BAR THREAD GUIDE	1
08-1	PFDTDB114	机针 NEEDLE(DBx1#14)	1
08-2	PFDTDP521	机针 NEEDLE(DPx5#21)	1
09	PF5550312	机针螺钉 SCREW 1/8-44 L=4.5	1
10-1	PF888056D309	针杆下轴套线钩NEEDLE BAR THREAD GUIDE	1
10-2	PF5550H39	针杆下轴套线钩(厚料)NEEDLE BAR THREAD GUIDE Heavy	1
11	PF90010311	针杆连接柱滑块SLIDE BLOCK	1
12	PFQ53121604	上过线板 THREAD TENSION SPRING	1
13	SCJ1004	开口挡圈 SNAP RING	1
14	PFQ53121601	上夹线板 BOBBIN WINDER TENSION DISC	2
15	PFQ53121602	上夹线簧 THREAD TENSION SPRING	1
16	PFQ53121603	上夹线螺钉SCREW	1

零件编号 (number)	零件品号 (Product number)	零件名称 (Product name)	Q5Fe 用量 (Number of Q5Fe used)
17	PFQ53172609	夹线螺钉紧固螺钉 SET SCREW 9/64-40 L=4	1
18	PFQ53172601	挑线簧调节座 TENSION POST SOCKET	1
19	PF5550330	夹线器螺钉 SCREW 15/64-28 L=7	1
20-1	PFQ53172602	挑线簧 TAKE-UP SPRING	1
20-2	PFQ5H3172602	挑线簧(厚料) TAKE-UP SPRING Heavy	1
21	PFQ53172603	夹线螺钉 SCREW	1
22	PFQ53172604	夹线板 TENSION DISC	1
23	PFQ53172605	松线板 TENSION DISC HOLDER	1
24-1	PFQ53172606	夹线簧 TENSION SPRING	1
24-2	PFQ5H3172606	夹线簧 (厚料) TENSION SPRING Heavy	1
25	PFQ53172607	夹线制动板 TENSION DISC STOPPER	1
26	PFQ53172608	夹线螺母 TENSION NUT	1
27	PF6150131	松线钉 THREAD RELEASE PIN	1
28	PF5550334	松线辅钉弹簧 TENSION RELEASE PIN SPRING	1
29	PF90000329	松线辅钉 TENSION RELEASE SUPPORTING PIN	1
30	PF68425H33	上夹线器螺钉 SCREW 11/64-40 L=6	1
31	PF9001033101	针杆滑块槽 NEEDLE BAR TROUGH	1
32	PF6150227	滑块槽螺钉 SLIDE BLOCK 11/64-40 L=8	2
33	PFQ531216	上夹线器 Upper thread clamp	1
34-1	PFQ531726B	大夹线器组件 Thread clamp assembly	1
34-2	PFQ5H31726	厚料大夹线器组件 Thread clamp assembly	1
35	PF5550132	松线辅钉垫片 TENSION RELEASE SUPPORTING PIN WASHER	1

PRESSER BAR & TENSION RELEASE COMPONENTS

4. 压料、松线分组件

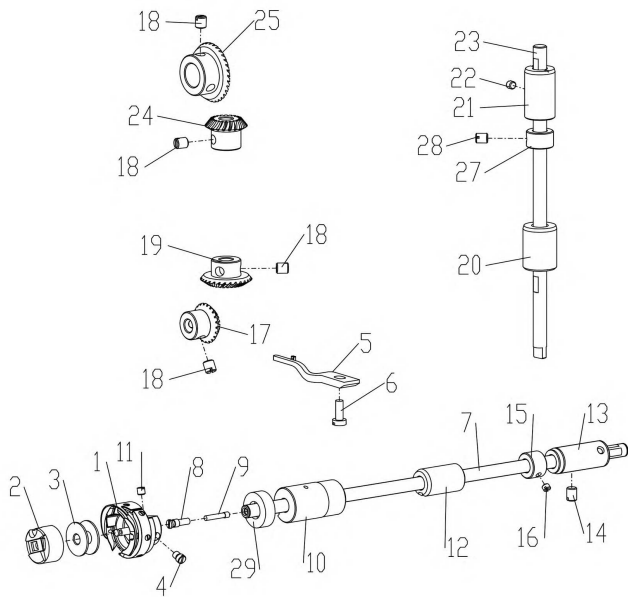


零件编号 (number)	零件品号 (Product number)	零件名称 (Product name)	Q5Fe 用量 (Number of Q5Fe used)
01	PFQ541	调压螺钉 PRESSER SPRING REGULATOR	1
02	PFQ542	调压螺母 NUT 1/2-28	1
03	PF555043	调压导杆 PRESSER GUIDE BAR	1
04	PF555044	调压簧 PRESSER SPRING	1
05	PF555045	压杆 PRESSER GUIDE BAR	1
06	PF90000406	压杆导架 NEEDLE BAR GUIDE BRACKET	1
07	PF555047	压杆导架螺钉 SCREW 1/4-40 L=8	1
10	PF5550410	压杆轴套 PRESSER BAR BUSHING LOWER	1
11-1	PF888056D411	活压脚部件 PRESSER FOOT ASM.	1
11-2	PF5550H411	活压脚部件(厚料) PRESSER FOOT ASM Heavy	1
12	PF5550412	活压脚螺钉 SCREW 9/64-40 L=10.5	1
13	PFQ541301	压脚扳手 HAND LOFTER	1
14	PF5550412	压脚扳手螺钉 SCREW 9/64-40 L=10.5	1
15	PF90000415	压脚扳手凸轮部件 HAND LOFTER CAM ASM.	1
16	PF5550416	压脚扳手轴 O 型圈 RUBBER RING	1
17	PF90000417	压脚升降板 LIFTING LEVER	1
18	PF9000041801	抬压脚前杠杆部件 HAND LIFTER LINK ASM.	1
19	PF5550419	前杠杆螺纹销 THREAD PIN	2
20	SCJ1008	螺纹销开口挡圈 SNAP RING	7
22	PF5550422	松线顶板 TENSION RELEASE PLATE	1

零件编号 (number)	零件品号 (Product number)	零件名称 (Product name)	Q5Fe 用量 (Number of Q5Fe used)
23	PF5550423	松线顶板螺纹销THREAD PIN	1
25	PF5550425	松线顶板复位簧TENSION RELEASE RETURN SPRING	1
26	PF5550426	抬压脚拉杆LIFTING LEVER CONNECTING ROD	1
28	PF5550428	抬压脚后杠杆 LIFTING LEVER LINK	1
29	PF5550429	后杠杆轴位螺钉HINGE SCREW 15/64-28	1
30	PF5550430	抬压脚拉杆螺钉HINGE SCREW 3/16-32	1
31	PF5550431	抬压脚顶杆CONNECTING ROD VERRICAL	1
32	PF90000432	软管支承板WIRE HOLDER BRACKET(UPPER)	1
33	PF90000438	软管压板 WIRE HOLDER	2
34	PF5550637	软管支承板螺钉SCREW 11/64-40 L=8.5	1
35	PF5550725	软管压板螺钉 SCREW 11/64-40 L=5	2
36	PF90000436	松线钢绳座LOOSING LINE PLATE	1
37	PF68425E28	松线钢绳座螺钉SCREW 9/64-40 L=7	2
40	PF9000044002	松线钢丝 LOOSING LINE	1
41	PF9000044001	松线钢丝调节螺母 NUT 11/64-40	2
42	PF90000442	松线座 LOOSING LINE ASM.	1
43	PF90000443	松线复位弹簧 SPRING	1
45	PF5550432	压杆油封 PRESSER BAR OIL SEAL	1
46	PF90000418	抬压脚前杠杆部件 HAND LIFTER LINK ASM.	1
47	PF90000440	松线钢丝组件 LOOSING LINE ASM.	1

HOOK OF DRIVING SHAFT COMPONENTS

5. 勾线分组件

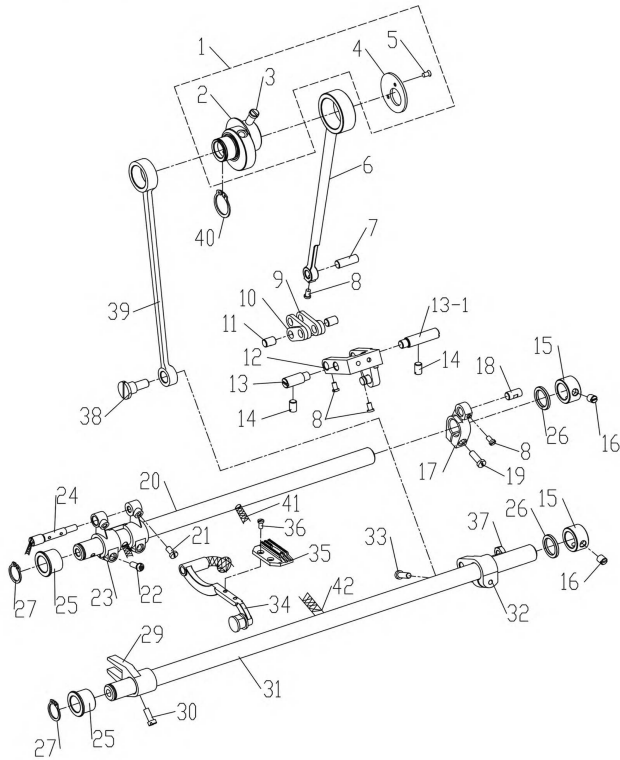


零件编号 (number)	零件品号 (Product number)	零件名称 (Product name)	Q5Fe 用量 (Number of Q5Fe used)
01	PF888056D50114	旋梭 HOOK ASM.	1
02	PF888056D5202	梭子 BOBBIN CASE ASM.	1
03	PF555053	梭心 BOBBIN	1
04	PF888056D5010801	旋梭紧固螺钉 SCREW	2
05	PF555055	旋梭定位钩 POSITIONING FINGER	1
06	BF700S039	旋梭定位钩螺钉 SCREW 11/64-40 L=9.5	1
07	PF90000507	下轴 HOOK DRIVING SHAFT	1
08	PF555058	下轴限油螺钉 OIL SEAL SCREW ASM.	1
09	PF55505901	下轴限油芯 OIL WICK	1
10	PF90000510	下轴前轴套 FRONT BUSHING	1
11	PF888056D5010802	旋梭紧定螺钉 SCREW	1
12	PF90000512	下轴中轴套 MID BUSHING	1
13	PF90000513	下轴后轴套 REAR BUSHING	1
14	PF555029	下轴后轴套螺钉 SCREW 3/16-28 L=15	2
15	PF6150404	下轴挡圈 SNAP RING	1
16	PF55506261	下轴挡圈螺钉 SCREW 15/64-28 L=4	2
17	PF555051805	下轴伞齿轮 (小) BEVEL GEAR (SMALL)	1
18	PF55505180501	伞齿轮螺钉 SCREW 1/4-40 L=8	8
19	PF555052005	竖轴下伞齿轮 (大) BEVEL GEAR (LARGE)	1
20	PF90000520	竖轴下轴套 LOWER BUSHING	1

零件编号 (number)	零件品号 (Product number)	零件名称 (Product name)	Q5Fe 用量 (Number of Q5Fe used)
21	PF90000521	竖轴上轴套UPPER BUSHING	1
22	PF9800TD410	竖轴上轴套螺钉SCREW 11/64-28 L=9	1
23	PF5550524	竖轴 UPRING SHAFT	1
24	PF555052505	竖轴上伞齿轮 (小) BEVEL GEAR (SMALL)	1
25	PF555052605	上轴伞齿轮 (大) BEVEL GEAR (LARGE)	1
27	PF6150404	竖轴上轴套挡圈SNAP RING	1
28	PF5550330	竖轴上轴套挡圈螺钉SCREW 15/64-28 L=7	2
29	PF9990709	下轴防油圈OIL SEAL RING	1

FEED MECHANISM COMPONENTS

6. 送料分组件

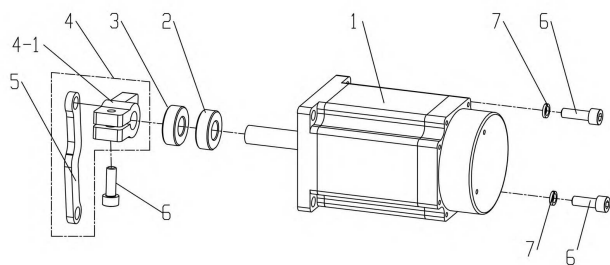


零件编号 (number)	零件品号 (Product number)	零件名称 (Product name)	Q5Fe 用量 (Number of Q5Fe used)
01-1	PFQ5F0602	送料偏心轮组件FEED DRIVE ECCENTRIC CAM SAM送料偏心轮组件 FEED DRIVE ECCENTRIC CAM SAM	1
01-2	PF98000602L	电脑车偏心轮组件(L)FEED DRIVE ECCENTRIC CAM SAM(L)	1
02	PF555062	送料偏心轮FEED DRIVE ECCENTRIC CAM	1
03	PF555063	送料偏心轮螺钉SCREW 1/4-40 L=11	2
04	PF555064	送料偏心轮盖板THRUST COLLAR	1
05	PF555065	偏心轮盖板螺钉SCREW 9/64-40 L=5	2
06	PF555066	送料连杆 ROCKER SHAFT CONNECTING ROD	1
07	PF555067	送料连杆销WALKING FOOT PIN	1
08	PF555068	连接销螺钉SCREW 9/64-40 L=6	4
09	PF555069	送料长摆动板 LONG WALKING FOOT LINK	2
10	PF5550610	送料短摆动板 SHORT WALKING FOOT LINK	2
11	PF5550611	长摆动板连接销WALKING FOOT PIN	2
12	PF888056D613	送料摆动板座部件 WALKING FOOT ADJUST LINK	1
13	PF5550614	送料摆动板座左销 ADJUSTING LINK FULCRUM SHAFT	1
13-1	PF555061601	送料摆动板座右销(φ10) ADJUSTING LINK FULCRUM SHAFT	1
14	PF6150326	左右销螺钉SCREW 15/64-28 L=7	2
15	PF5550653	抬牙送布紧圈 RETAINING RING	2
16	PF6150304	送布轴紧固螺钉SCREW	4
17	PF5550618	送料曲柄 FEED ROCKER SHAFT CRANK ASM.	1
18	PF5550619	送料曲柄销WALKING FOOD PIN	1

零件编号 (number)	零件品号 (Product number)	零件名称 (Product name)	Q5Fe 用量 (Number of Q5Fe used)
19	PF5550621	送料曲柄螺钉 SCREW 9/64-28 L=14	1
20	PF90000620	送布轴FEED ROCKER SHAFT	1
21	PF90000621	牙架曲柄轴螺钉SCREW	2
22	PF5550633	牙架曲柄固定螺钉 SCREW	2
23	PF90000623	牙架曲柄 FEED CRACKET	1
24	PF90000624	牙架销FEED BAR SHAFT	1
25	PF90000625	送料轴前轴套 FEED ROCKER SHAFT BUSHING	2
26	PF6150529	拾牙送布轴轴套垫圈WASHER	2
27	SCJ1036	拾牙送布轴轴用挡圈RETAINING RING	1
29	PF90000629	拾牙叉型曲柄 DRIVING SHAFT CRANK ASM.	1
30	PF6150607	拾牙叉型曲柄螺钉SCREW 11/64-40 L=10.5	1
31	PF90000631	拾牙轴FEED DRIVING SHAFT	1
32	PF90000632	拾牙后曲柄REAR CRACK ASM.	1
33	PF5550648	拾牙后曲柄螺钉SCREW 3/16-28 L=12	1
34	PF90000634	牙架组件 FEED ROCKER BASE ASM.	1
35-1	PF55500634B	送料牙-18齿FEED DOG-18 TEETH	1
35-2	PF030341	送布牙-13齿FEED DOG-13 TEETH	1
36	PF5550635	送料牙螺钉SCREW 1/8-44 L=6	2
37	PF5550651	拾牙连杆轴位螺母 NUT	1
38	PF5550650	拾牙连杆轴位螺钉 SCREW	1
39	PF5550649	拾牙连杆 CONNECTING ROD	1
40	PF5550652	拾牙连杆轴用挡圈 SNAP RING	1
41	PF5550627	送料轴油线OIL WICK	1
42	PF5550627	拾牙轴油线OIL WICK	1

STEPPER PRESSER FOOT LIFTER COMPONENTS

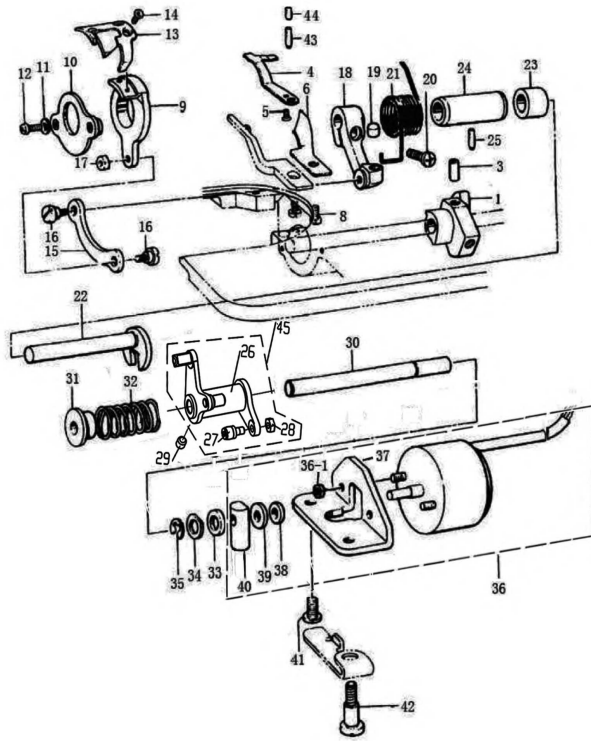
7. 步进送料、调节分组件



零件编号 (number)	零件品号 (Product number)	零件名称 (Product name)	Q5Fe 用量 (Number of Q5Fe used)
01	PFQ5FDKZJSF05	步进电机 MOTOR	1
02	PFQ5F07102	油封 OIL SEAL	1
03	PFQ5F07102	油封 OIL SEAL	1
04	PFQ5F07104A	针距调节曲柄连杆组件 CRANK CONNECTING ROD ASM.	1
04-1	PFQ5F07104	曲柄 CRANK	1
05	PFQ5F07105	连杆 CONNECTING ROD	1
06	BF310164501	螺钉 SCREW	5
07	SCJ3008	M5弹垫 SPRING WASHERS	4

THREAD TRIMMER COMPONENTS

8. 剪线分组件

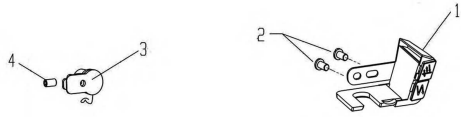


零件编号 (number)	零件品号 (Product number)	零件名称 (Product name)	Q5Fe 用量 (Number of Q5Fe used)
01	PF90008101	剪线凸轮 THREAD TRIMMER CAM	1
03	PF90008103	剪线凸轮螺钉 SCREW 1/4-40 L=10	2
04	PF90008104	定刀 CONNTER KNIFE	1
05	PF68425H26	定刀固定螺钉 SCREW	1
06	PF90008106	分线器DISPART THREAD SHUTTLE	1
08	PF6150211	分线器固定螺钉SCREW	1
09	PF90008109	动刀架 ROUND KNIFE BRACKET	1
10	PF90008110	刀架压板组件 KNIFE HOLDER ASM	1
11	PF5550630	刀架压板垫圈 WASHER	2
12	PF90008112	刀架压板螺钉 SCREW	2
13-1	PF9000811301	动刀 ROUND KNIFE	1
13-2	PF90008113	动刀 (厚) ROUND KNIFE Heavy	1
14	PF90008114	动刀固定螺钉 SCREW	2
15	PF90008115	刀轴连杆 KNIFE SHAFT CRANK ROD	1
16	PF90008116	刀轴连杆螺钉 SCREW	2
17	PF90008117	刀轴连杆螺母 NUT	1
18	PF90008118	切线驱动曲柄 TRIMMING CRANK	1
19	PF9000811801	切线驱动曲柄止动块BLOCK	1
20	PF9000812001	切线驱动曲柄螺钉 SCREW	1
21	PF90008121	复位弹簧 REPLACE SPRING	1

零件编号 (number)	零件品号 (Product number)	零件名称 (Product name)	Q5Fe 用量 (Number of Q5Fe used)
22	PF90008122	切线驱动曲柄轴TRIMMING CRANK SHAFT	1
23	PF90008123	驱动曲柄轴短套SHORT BUSHING	1
24	PF90008124	切线轴套 BUSHING	1
25	PF55506461	切线轴套紧定螺钉 SCREW	1
26	PF9000812603	切线凸轮曲柄 TRIMMING CAM CRANK	1
27	PF9000812601	滚柱轴分组件 ROLLER BEARING SHAFT ASM.	1
28	PF9000812602	螺母 NUT 11/64-40	1
29	PF90008129	切线凸轮曲柄紧定螺钉 SCREW 1/4-40 L=6	1
30	PF90008130B	切刀驱动轴TRIMMING SHAFT	1
31	PF90008131	扭簧端盖 SPRING COVER	1
32	PF90008132	剪线电磁铁复位弹簧SPRING	1
33	PF90008133	切线磁铁垫圈 WASHER	1
34	PF90008134	切线驱动轴垫圈CLIP	1
35	SCJ1009	切线驱动轴卡圈WASHER	1
36	PFS5T0836	剪线电磁铁组件THREAD TRIMMER SOLENOID ASM.	1
36-1	PF980280401	螺母 (M4) NUT(M4)	2
37	PF980280402	剪线电磁铁安装座 SOLENOID BASE	1
38	PF980280403	电磁铁缓冲垫 WASHER	1
39	PF980280404	垫圈 WASHER	1
40	PF980280405	切线电磁铁连接体 SOLENOID CONNECTING SHAFT	1
41	PF90008141	剪线电磁铁架固定螺钉 SCREW 1/4-28	1
42	PF90008142	松线座螺钉SCREW 1/4-28	1
43	PF900081412	定刀顶紧螺钉 SCREW 1/8-44X6	1
44	BF7005292	定刀顶紧螺钉 SCREW 1/8-44X3	1
45	PF90008126	切线凸轮曲柄组件 TRIMMING CAM CRANK ASM.	1

ELECTRIC CLAMP COMPONENTS

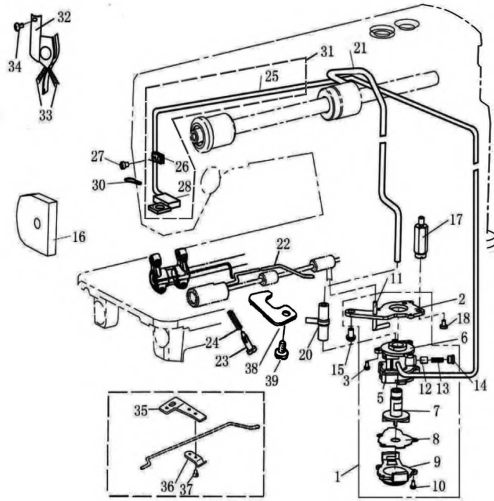
9. 电子夹线组件



零件编号 (number)	零件品号 (Product number)	零件名称 (Product name)	Q5Fe 用量 (Number of Q5Fe used)
01	PFQ5TE2090201	三键照明灯THREE BOND SEWING SWITCH	1
02	PF555016	照明灯固定螺钉SCREW	2
03	PFS5T0905	电子夹线器ELECTRIC CLAMP	1
04	PF9800TD409	电子夹线器固定螺钉SCREW	1

LUBRICATION COMPONENTS

10. 润滑分组件

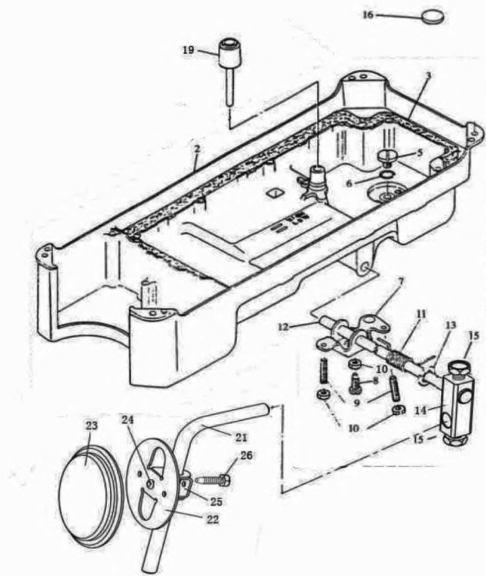


零件编号 (number)	零件品号 (Product number)	零件名称 (Product name)	Q5Fe 用量 (Number of Q5Fe used)
01	PF555081	油泵部件 LUBRICATING OIL PUMP ASM.	1
02	PF55508101	油泵安装板 OIL PUMP INSTALLING BASE	1
03	PF55508102	油泵安装螺钉 SCREW 15/64-28 L=9	3
05	PF55508103	油泵体 OIL PUMP	1
06	PF55508104	油泵体衬套 OIL PUMP BUSHING	1
07	PF55508105	油泵叶轮 OIL PUMP IMPELLER	1
08	PF55508106	油泵叶轮托板 OIL PUMP IMPELLER COVER	1
09	PF55508107	油泵盖分部件 LUBRICAING OIL PUMP COVER	1
10	PF55508108	油泵盖螺钉 SCREW	3
11	PF55508109	下轴供油管 HOOK DRIVING SHAFT OIL TUBE	1
12	PF55508110	回油柱塞 PLUNGER	1
13	PF55508111	柱塞簧 PLUNGER SPRING	1
14	PF55508112	柱塞螺钉 SCREW	1
15	PF2284014802	油泵螺钉 SCREW	1
16	PF90011038	海绵 SPONGE	1
17	PF5550815	油泵连接螺柱 OIL PUMP SUPPORT	1
18	PF555056	螺柱连接螺钉 SCREW 11/64-40 L=9.5	1
20	PF5550817	供油管接头 (三通) RUBBER JOINT	1
21	PF9800TD408	上轴供油管 MAIN SHAFT OIL TUBE	1
22	PF90001022	旋梭供油管 (旋刀机构用) OIL TUBE	1
23	PF90001023	油量调节螺钉 OIL ADJUSTING SCREW	1
24	PF90001024	油量调节簧 SPRING	1
25	SCJ5030	回油管 OIL RETURN GUARD	1
26	PF5550827	回油管夹 OIL RETURN TUBE HOLDER	1

零件编号 (number)	零件品号 (Product number)	零件名称 (Product name)	Q5Fe 用量 (Number of Q5Fe used)
27	PF5550230	回油管夹螺钉 SCREW 1/8-28 L=6	1
28	PF5550830	回油毡 OIL FELT	1
30	PF5550831	回油毡夹 OIL FELT PRESSER	1
31	PF5550830YGGZJ	回油管组件 OIL RETURN GUARD ASM	1
32	PF5550832	面部油线板 OIL WICK SUPPORT	1
33	PF5550833	面部油线 OIL WICK	1
34	PF5550834	面部油线板螺钉 SCREW	1
35	PF888056D442	软管下支承板 WIRE HOLDER BARCKET (LOWER)	1
36	PF888056D437	软管下支承板压板 WIRE HOLDER	1
37	PF5550725	软管下支承板压板螺钉 SCREW 11/64-40 L=5	1
38	PF5550822	旋梭油量供油压板 WIRE HOLDER	1
39	PF888056D730	安装螺钉 SCREW	1

OIL RESERVOIR COMPONENTS

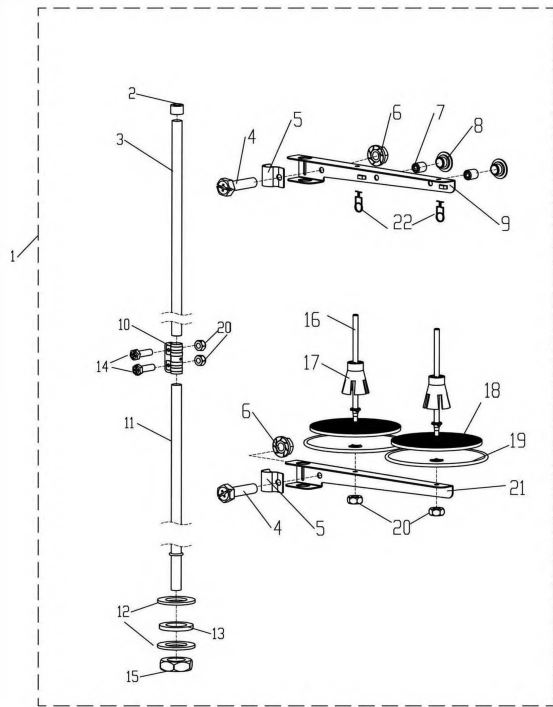
11. 油盘膝提压脚分组件



零件编号 (number)	零件品号 (Product number)	零件名称 (Product name)	Q5Fe 用量 (Number of Q5Fe used)
02	PF555092	油盘 OIL PLATE	1
03	PF555093	油盘垫 OIL PLATE BED	1
05	PF555095	排油孔螺钉 OIL EXTRACTION HOLE SCREW	1
06	PF555096	排油孔螺钉 O 型圈 RUBBER RING	1
07	PF5550912	抬压脚双向曲柄 TWO-WAY CRANK	1
08	PF5550913	双向曲柄螺钉 SCREW	1
09	PF5550914	双向曲柄限位调节螺钉 BANKING SCREW OF TWO-WAY CRANK	2
10	PF5550915	双向曲柄限位调节螺母 BANKING NUT OF TWO-WAY CRANK	3
11	PF5550916	双向曲柄扭簧 TWISTING SPRING	1
12	PF5550917	抬压脚轴 LIFTING PRESSOR FOOT SHAFT	1
13	SCJ1014	抬压脚轴开口挡圈 OPEN SHIELD RING	1
14	PF5550919	抬压脚轴操纵杆接头 OPERATING BAR HEAD	1
15	PF5550930	操纵杆接头螺钉 OPERATING BAR HEAD SCREW	2
16	SCJ6012	油盘磁铁 OIL PLATE MAGNET	1
19	PF5550911	抬压脚顶销 TOP PIN	1
21	PF5550922	操纵杆 OPERATING BAR	1
22	PF5550923	操纵板 OPERATING PLATE	2
23	PF5550924	操纵板软垫 SOFT CUSHION OF OPERATING BAR	1
24	PF5550925	操纵板垫 OPERATING BAR BED	1
25	PF5550926	操纵杆接头 OPERATING BAR TIP	1
26	PF5550927	接头螺钉 TIP SCREW	1

THREAD STAND COMPONENTS

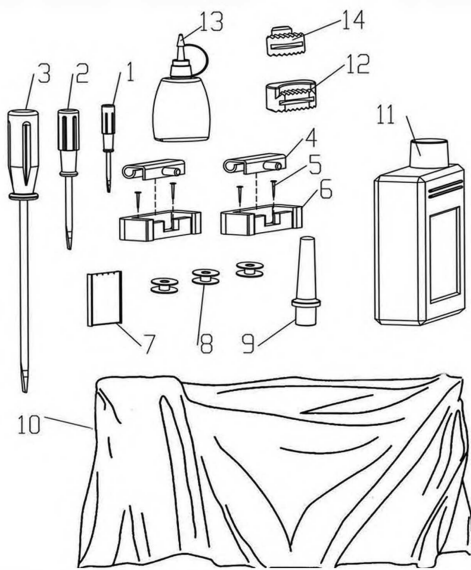
12. 过线架分组件



零件编号 (number)	零件品号 (Product number)	零件名称 (Product name)	Q5Fe 用量 (Number of Q5Fe used)
01	PF55501127	过线架组件THREAD STAND AMS.	1
02	PF555011270101	撑管套COLUMN CAP	1
03	PF5550112702	线架上撑管COLUMN PIPE(UPPER)	1
04	PF5550112703	线架螺钉 SCREW	2
05	PF5550112704	线臂抱攀 THREAD GUIDE ARM JOINT	2
06	PF5550112705	法兰花齿螺母 NUT	2
07	PF5550112706	过线管THREAD GUIDE PIPE	2
08	PF5550112707	过线管套 THREAD GUIDE BUSHING	2
09	PF5550112722	上过线架(美机色) THREAD HANGER(2 SPOOLS TUPE)	1
10	PF5550112709	撑管夹COLUMN PIPE CONNECTOR	1
11	PF5550112710	线架下撑管COLUMN PIPE(LOWER)	1
12	PF5550112711	垫圈 WASHER	2
13	PF5550112712	橡胶垫圈 WASHER	1
14	PF5550112713	撑管夹螺钉SCREW	2
15	PF5550112714	下过线架螺母 NUT	1
16	PF5550112715	线轴 SPOOL PIN	2
17	PF5550112716	线盘塑料压块 SPOOL CUSHION	2
18	PF5550112717	线盘软垫 SOFT CUSHION OF THREAD PLARE	2
19	PF5550112718	线盘 THREAD PLATE	2
20	PF5550112719	撑管夹螺母NUT	4
21	PF5550112723	下过线架(美机色) THREAD HANGE(LOWER)	1
22	PF5550112721	过线圈THREAD GUIDE RING	2

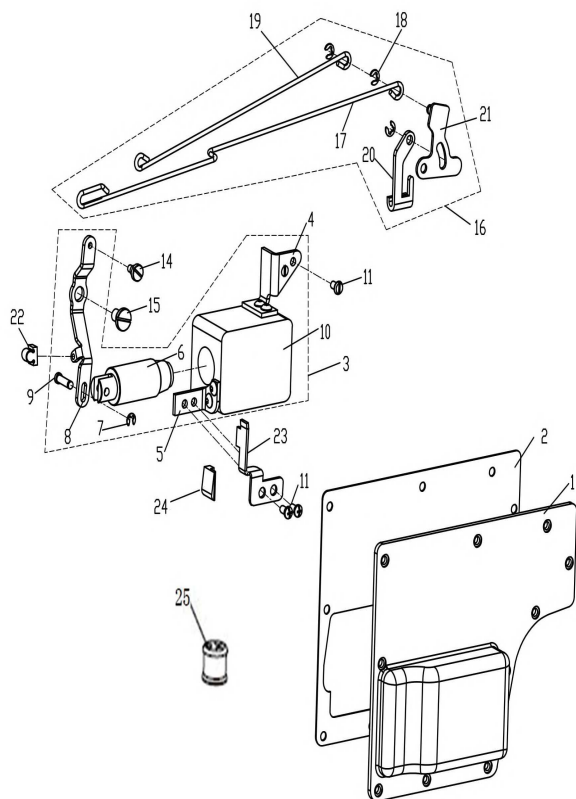
AUXILIARIES

13. 附件



零件编号 (number)	零件品号 (Product number)	零件名称 (Product name)	Q5Fe 用量 (Number of Q5Fe used)
01	PF55501018	螺丝刀 (小) SCREW DRIVER (SMALL)	1
02	PF55501017	螺丝刀 (中) SCREW DRIVER (MIDDLE)	1
03	PF55501016	螺丝刀 (大) SCREW DRIVER (LARGE)	1
04	PF5550101	机头连接钩部件HINGE COMPL	2
05	SCJ6018	机头连接钩座钉RUBBER CUSHION NAIL	6
06	PF5550102	机头连接钩座 RUBBER CUSHION	2
07	PFDTDB114	机针 NEEDLE	1
08	PF555053	梭心 BOBBIN	3
09	PFQ51425	机头支柱 FRAME SUPPORT BAR	1
10	PF0303104003	机头罩FRAMEVINYL COVER	1
11	PF55501022	油箱 OIL BOTTLE WITH OIL	1
12	PF555099	机头支架 NOSE SUPPORT	2
13	PF61501105	小油壶OILER ASM.	1
14	PF555098	机头座垫 DIE CUSHION	2

AUTOMATIC PRESSER FOOT LIFTER COMPONENTS



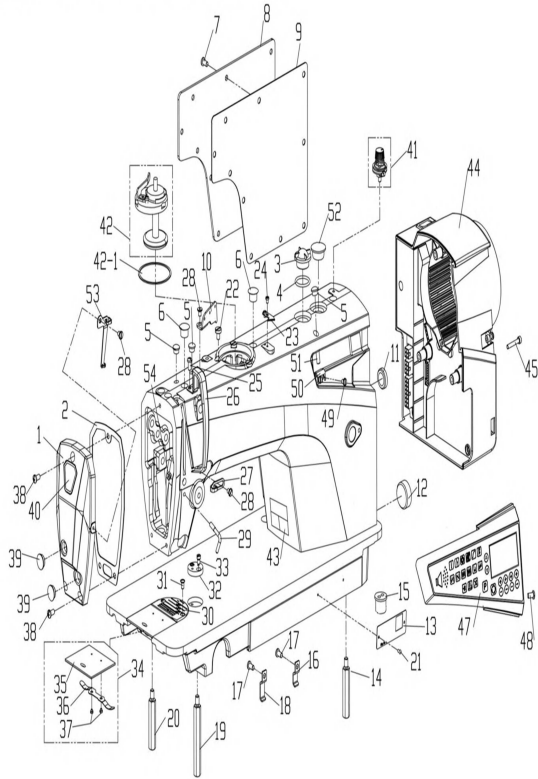
零件编号 (number)	零件品号 (Product number)	零件名称 (Product name)	Q5Fe 用量 (Number of Q5Fe used)
01	PFQ51414A	后窗板FACE PLATE	1
02	PFQ51424A	后窗板垫 FACE PLATE GASKET	1
03	PFS5T1403	抬压脚电磁铁组件 PRESSER FOOT SOLENOID ASM.	1
04	PFQ514301	右支架RIGHT STAND	1
05	PFQ514302	左支架 LEFT STAND	1
06	PFQ514303	抬压脚电磁体铁芯 SOLENOID CORE	1
07	PFQ514304	铁芯连接销卡簧SNAP RING	1
08	PFQ514305	摆动杆CRANK ROD	1
09	PFQ514306	铁芯连接销IRON-CORE CONNECTING PIN	1
10	PFQ514307	电磁铁线圈基体PRESSER FOOT SOLENOID	1
11	PF5550161	支架固定螺钉 SCREW 3/16-28 L=12	4
14	PF7810616	长拉杆连接螺钉SCREW	1
15	PFQ51415	摆动杆轴位螺钉SCREW	1
16	PFQ51416	自动抬压脚前杠杆组件 HAND LIFTER LINK ASM.	1
17	PFQ5141601	自动抬压脚拉杆 (长) CONNECTING ROD(LONG)	1
18	SCJ1008	连接卡簧 SNAP RING	3
19	PF5550425	抬压脚拉杆LIFTING LEVER CONNECTING ROD	1
20	PF9000041801	压脚升降板LIFTING LEVER	1
21	PF90000417	抬压脚前杠杆部件 HAND LIFTER LINK	1
22	PFQ51422	缓冲垫RUBBER PLUG	1

零件编号 (number)	零件品号 (Product number)	零件名称 (Product name)	Q5Fe 用量 (Number of Q5Fe used)
23	PFQ51423A	缓冲挡板 BUFFER BAFFLE	1
24	PFS5T1423	防护垫 PROTECTIVE PAD	1
25-1	PF888056D131	电线过线套(两孔) WIRE CROSSING SLEEVE (TWO HOLES)	1
25-2	PF9800TD406	电线过线套(三孔) WIRE CROSSING SLEEVE (THREE HOLES)	1

MACHINE FRAME&MISCELLANEOUS COVER COMPONENTS

Q5T

1. 机壳分组件 MACHINE FRAME&MISCELLANEOUS COVER COMPONENTS

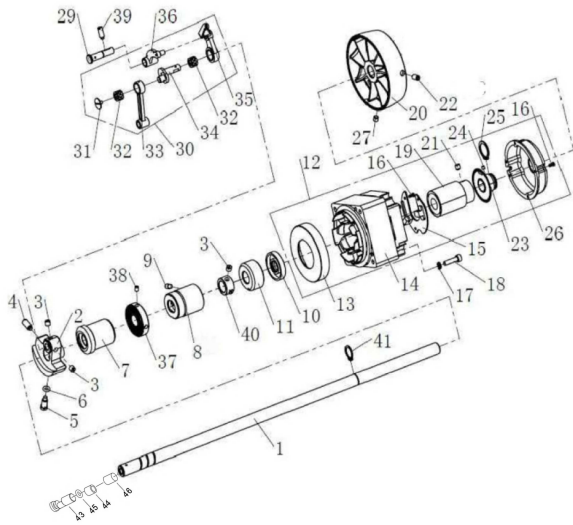


零件编号 (number)	零件品号 (Product number)	零件名称 (Product name)	Q5T 用量 (Number of Q5T used)
01	PFQ511	面板 FACE PLATE	1
02	PFQ512	面板垫 FACE PLATE GASKET	1
03	PF5550824	油窗 OIL WINDOW	1
04	PF5550825	油窗O型圈 THRUST COLLAR ASM	1
05	PF5550113	挑线连杆销螺孔塞 RUBBER PLUG	3
06	PF5550112	针杆曲柄螺孔塞 RUBBER PLUG	2
07	PF555016	后窗板螺钉 SCREW 3/16-28 L=9	8
08	PFQ518	后窗板 SIDE PLATE	1
09	PFQ519	后窗板垫 SIDE PLATE GASKET	1
10	PFQ5110	三眼线勾 THREE EYELINER HOOK	1
11	PF5550114	送料调节器孔塞 RUBBER PLUG	1
12	PF5550115	下轴盲孔塞 RUBBER PLUG	1
13	PFQ50113	型号牌 MODEL PLATE	1
14	PF555013	底板支柱 BED SCREW STUD	2
15	PF888056D131	电线过线套 NEEDLE BEARING	2
16	PF99901511	电线压板 (短) CORD HOLDER(S)	2
17	PF5550161	电线压板固定螺钉 SCREW 3/16-28 L=12	2
18	PF99901160	电线压板 (长) CORD HOLDER(L)	1
19	PF90000120	底板支柱 (长) BED SCREW STUD(L)	1

零件编号 (number)	零件品号 (Product number)	零件名称 (Product name)	Q5T 用量 (Number of Q5T used)
20	PF90000121	底板支柱 (中) BED SCREW STUD(M)	1
21	SCJ6071	型号牌铆钉 POLE	2
22	PF90000131	绕线器紧固螺钉 SCREW 3/16-32 L=7	3
23	PF90000132	绕线切刀 THREAD CUTTER	1
24	PF68425K19	绕线切刀固定螺钉 SCREW 1/8-40 L=4	2
25	PF5550230	挑线杆护罩螺钉 SCREW 3/16-28 L=6	1
26	PFQ5126	挑线杆护罩 THREAD TAKE-UP LEVER COVER	1
27	PF5550316	右线钩 RIGHT ARM THREAD GUIDE	1
28	PF5550317	右线钩螺钉 SCREW 11/64-40 L=6	3
29	PF9520MXDK021	大线钩 LARGE ARM THREAD GUIDE	1
30	PF555063601B	针板 NEEDLE PLATE	1
31	PF5550637	针板螺钉 SCREW 11/64-40 L=8.5	2
32	PF03030118	卷边器座 RULER PLATE	1
33	PF5550117	卷边器座螺钉 SCREW 11/64-40 L=5	2
34	PF5550638	推板组件 SLIDE PLATE ASM	1
35	PF555063801	推板 SLIDE PLATE	1
36	PF555063802	推板簧 SPRING OF SLIDE PLATE	1
37	PF555063803	推板螺钉 SCREW	2
38	PF5550161	面板螺钉 SCREW 3/16-28 L=12	3
39	PF5550111	面板调节螺孔塞 RUBBER PLUG	2
40	BZ3188	面板装饰牌 PLATE	1
41	PFQ5141	绕线夹线器组件 BOBBIN THREAD TENSION ASM	1
42	PF90000157	绕线器 BOBBIN WINDER ASM	1
42-1	PF900001511	绕线器油封 OIL SEAL	1
43	BZ3141	安全指示牌 SAFETY-INDICATING PLATE	1
44	PFQ3T0144A	电机罩组件 PILLEY COVER ASM	1
45	PFS5T0149	电机罩组件固定螺钉 (短) SCREW (SHORT)	3
47	PFQ4T0147	操作面板组件 OPERATION PANEL	1
48	PFQ50148	操作面板组件固定螺钉 SCREW	1
49	PFQ5149	支架固定螺钉 SCREW M4 L=5.5	2
50	PFQ5150	支架 STAND	1
51	PFQ5151	操作面板顶紧螺钉 SCREW M5 L=25	1
52	PF98000187	调节孔孔塞 RUBBER PLUG	1
53	PFQ5129	左线钩 LEFT ARM THREAD GUIDE	1
54	PF9520MXDK02101	螺母 NUT 11/64-40	1

MAIN SHAFT & THREAD TAKE-UP COMPONENTS

2. 上轴、挑线分组件 MAIN SHAFT & THREAD TAKE-UP COMPONENTS

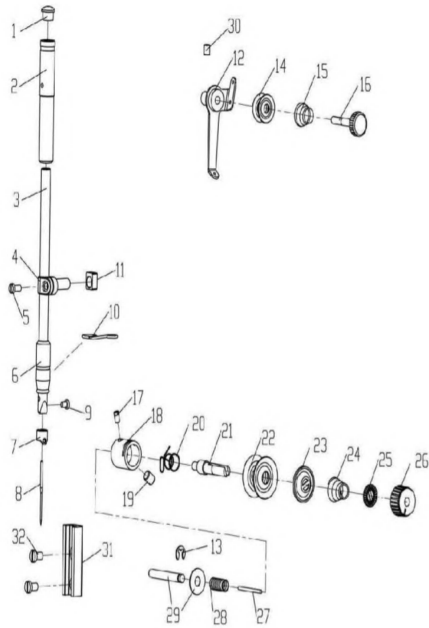


零件编号 (number)	零件品号 (Product number)	零件名称 (Product name)	Q5T 用量 (Number of Q5T used)
01	PFS5T0201	上轴 MAIN SHAFT	1
02	PFQ60202	针杆曲柄 NEEDLE BAR CRANK	1
03	PF5550625	挑线曲柄定位螺钉 SCREW	4
04	PF5550218	针杆曲柄紧固螺钉 SCREW 9/32-28 L=16	1
05	PF5550216	针杆曲柄定位螺钉 SCREW	1
06	PF5550217	针杆曲柄定位螺钉O型圈 RUBBER RING	1
07	PF90000207	上轴前轴套 FRONT BUSHING OF MAIN SHAFT	1
08	PF555028	上轴中轴套 MID BUSHING OF MAIN SHAFT	1
09	PF555029	上轴中轴套螺钉 SCREW	1
10	PF90000210	上轴油封 OIL SEAL	1
11	PF9802DP0205	上轴后套 UPPER SHAFT REAR SLEEVE	1
12	PFS5T0212	电机组件 MOTOR	1
13	PFS5T0213	电机后罩 MOTOR REAR COVER	1
14	PFS5T0214	电机定子 MOTOR STATOR	1
15	PFS5T0215	电机传感器 MOTOR SENSOR	1
16	PFS5T0216	紧固螺钉 SCREW	6
17	SCJ3008	弹簧垫片 WASHER	4
18	SCJ2010	上轴电机螺钉 SCREW	4
19	PFS5T0219	电机转子 MOTOR ROTOR	1
20	PFS5T0220	上轮 HEAD WHEEL	1
21	PFS5T0221	转子固定螺钉 SCREW	2
22	PF1310B24	上轮螺钉 SCREW	1
23	PFS5T0223	光栅 GRATING	1
24	PFS5T0224	光栅固定螺钉 SCREW	1

零件编号 (number)	零件品号 (Product number)	零件名称 (Product name)	Q5T 用量 (Number of Q5T used)
25	PFS5T0225	卡簧 REED SPRING	1
26	PFS5T0226	电机罩壳 MOTOR HOOD	1
27	PF1310B24	上轮螺钉 SCREW	1
29	PF5550225	挑线杆铰链轴 THREEED TAKE-UP CRANK SHAFT	1
30	PF55500223A	挑线杆部件 THREEED TAKE-UP ASM.	1
31	PF5550228	挑线曲柄左螺钉 SCREW	1
32	PF555022404	滚针轴承 BEARING	2
33	PF555031	针杆连杆 NEEDLE BAR CONNECTING ROD	1
34	PF55502201	挑线杆轴 THREEED TAKE-UP SHAFT	1
35	PF55502212	挑线杆 THREEED TAKE-UP	1
36	PF55502211	挑线杆连杆 THREEED TAKE-UP CONNECTING ROD	1
37	PF03030223	绕线主动轮 WHEEL	1
38	PF68425H33	绕线主动轮紧定螺钉 SCREW	2
39	PF555022	挑线杆铰链轴紧固螺钉 SCREW	1
40	PF555026	上轴挡圈 RETAINING RING	1
41	SCJ1036	转子限位挡圈 RETAINING RING	1
43	PF5550213	上轴油量调节销 OIL AMOUNT ADJUSTING PIN	1
44	PF5550212	曲柄油量调节销 OIL ADJUSTING COLLAR	1
45	PF5550214	上轴油量调节销O型圈 RUBBER RING	1
46	PF5550211	曲柄油量限制毡 ROLLER FELT	1

NEEDLE BAR & THREAD TENSION COMPONENTS

3. 针杆、夹线分组件 NEEDLE BAR & THREAD TENSION COMPONENTS

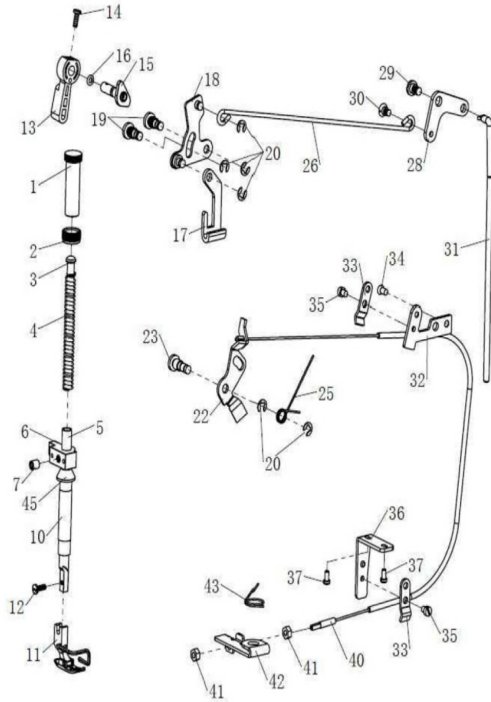


零件编号 (number)	零件品号 (Product number)	零件名称 (Product name)	Q5T 用量 (Number of Q5T used)
01	PF555037	针杆上轴套孔塞 RUBBER PLUG	1
02	PF555036	针杆上轴套 UPPER BUSHING OF NEEDLE BAR	1
03	PF90000303	针杆 NEEDLE BAR	1
04	PF555033	针杆连接柱 NEEDLE BAR HOLDER	1
05	PF55503301	针杆连接柱螺钉 SCREW 9/64-40 L=6	1
06	PF555038	针杆下轴套 LOWER BUSHING OF NEEDLE BAR	1
07	PF5550311	针杆线钩 NEEDLE BAR THREAD GUIDE	1
08	PFDTDB114	机针 NEEDLE(DBx1#14)	1
09	PF5550312	机针螺钉 SCREW 1/8-44 L=4.5	1
10	PF888056D309	针杆下轴套线钩 NEEDLE BAR THREAD GUIDE	1
11	PF90010311	针杆连接柱滑块 SLIDE BLOCK	1
12	PFQ531216	上过线板 THREAD TENSION SPRING	1
13	PFQ50313	开口挡圈 SNAP RING	1
14	PFQ53121601	上夹线板 BOBBIN WINDER TENSION DISC	2
15	PFQ53121602	上夹线簧 THREAD TENSION SPRING	1
16	PFQ53121603	上夹线螺钉 SCREW	1
17	PFQ531726	夹线螺钉紧固螺钉 SET SCREW 9/64-40 L=5.5	1
18	PFQ53172601	挑线簧调节座 TENSION POST SOCKET	1
19	PF5550330	夹线器螺钉 SCREW	1
20	PFQ53172602	挑线簧 TAKE-UP SPRING	1

零件编号 (number)	零件品号 (Product number)	零件名称 (Product name)	Q5T 用量 (Number of Q5T used)
21	PFQ53172603	夹线螺钉 SCREW	1
22	PFQ53172604	夹线板 TENSION DISC	2
23	PFQ53172605	松线板 TENSION DISC HOLDER	1
24	PFQ53172606	夹线簧 TENSION SPRING	1
25	PFQ53172607	夹线制动板 TENSION DISC STOPPER	1
26	PFQ53172608	夹线螺母 TENSION NUT	1
27	PF6150131	松线钉 THREAD RELEASE PIN	1
28	PF5550334	松线辅钉弹簧 TENSION RELEASE PIN SPRING	1
29	PF90000329	松线辅钉 TENSION RELEASE SUPPORTING PIN	1
30	PF68425H33	上夹线器螺钉 SCREW 3/16-28 L=6	1
31	PF90010331	针杆滑块槽 NEEDLE BAR TROUGH	1
32	PF6150227	滑块槽螺钉 SLIDE BLOCK	1

PRESSER BAR & TENSION RELEASE COMPONENTS

4. 压料、松线分组件 PRESSER BAR & TENSION RELEASE COMPONENTS

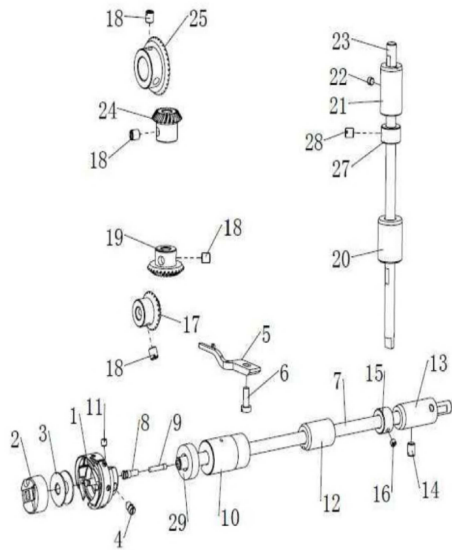


零件编号 (number)	零件品号 (Product number)	零件名称 (Product name)	Q5T 用量 (Number of Q5T used)
01	PFQ541	调压螺钉 PRESSER SPRING REGULATOR	1
02	PFQ542	调压螺母 NUT 1/2-28	1
03	PF555043	调压导杆 PRESSER GUIDE BAR	1
04	PF555044	调压簧 PRESSER SPRING	1
05	PF555045	压杆 PRESSER GUIDE BAR	1
06	PF90000406	压杆导架 NEDDLE BAR GUIDE BRACKET	1
07	PF555047	压杆导架螺钉 SCREW	1
10	PF5550410	压杆轴套 PRESSER BAR BUSHING LOWER	1
11	PF888056D411	活压脚部件 PRESSER FOOT ASM.	1
12	PF5550412	活压脚螺钉 SCREW 9/64-40 L=9.5	1
13	PFQ5413	压脚扳手 HAND LOFTER	1
14	PF5550412	压脚扳手螺钉 SCREW 9/64-40 L=8.5	1
15	PF90000415	压脚扳手凸轮部件 HAND LOFTER CAM ASM.	1
16	PF5550416	压脚扳手轴O型圈 RUBBER RING	1
17	PF90000417	压脚升降板 LIFTING LEVER	1
18	PF9000041801	抬压脚前杠杆部件 HAND LIFTER LINK ASM.	1
19	PF5550419	前杠杆螺纹销 THREAD PIN	2
20	SCJ1008	螺纹销开口挡圈 SNAP RING	7
22	PF5550422	松线顶板 TENSION RELEASE PLATE	1
23	PF5550423	松线顶板螺纹销 THREAD PIN	1

零件编号 (number)	零件品号 (Product number)	零件名称 (Product name)	Q5T 用量 (Number of Q5T used)
25	PF5550425	松线顶板复位簧 TENSION RELEASE RETURN SPRING	1
26	PF5550426	抬压脚拉杆 LIFTING LEVER CONNECTING ROD	1
28	PF5550428	抬压脚后杠杆 LIFTING LEVER LINK	1
29	PF5550429	后杠杆轴位螺钉 HINGE SCREW	1
30	PF5550430	抬压脚拉杆螺钉 HINGE SCREW	1
31	PF5550431	抬压脚顶杆 CONNECTING ROD VERTICAL	1
32	PF90000432	软管支承板 WIRE HOLDER BRACKET(UPPER)	1
33	PF90000438	软管压板 WIRE HOLDER	2
34	PF5550637	软管支承板螺钉 SCREW 3/16-28 L=6	1
35	PF5550725	软管压板螺钉 SCREW 11/64-40 L=7	2
36	PF90000436	松线钢绳座 LOOSING LINE PLATE	1
37	PF68425E28	松线钢绳座螺钉 SCREW	2
40	PF90000440	松线钢丝组件 LOOSING LINE ASM.	1
41	PF9000044001	松线钢丝调节螺母 NUT	2
42	PF90000442	松线座 LOOSING LINE ASM.	1
43	PF90000443	松线复位弹簧 SPRING	1
45	PF5550432	压杆油封 PRESSER BAR OIL SEAL	1

HOOK OF DRIVING SHAFT COMPONENTS

5. 勾线分组件 HOOK OF DRIVING SHAFT COMPONENTS

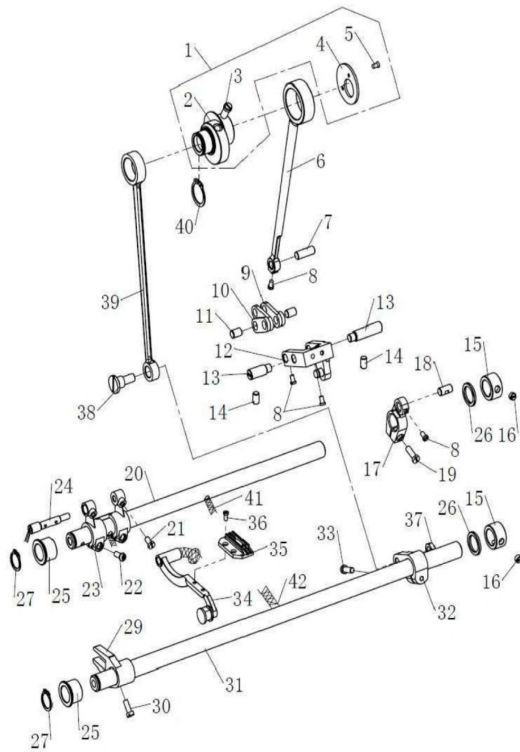


零件编号 (number)	零件品号 (Product number)	零件名称 (Product name)	Q5T 用量 (Number of Q5T used)
01	PF888056D50108	旋梭 HOOK ASM.	1
02	PF888056D5202	梭子 BOBBIN CASE ASM.	1
03	PF888056D503	梭心 BOBBIN	1
04	PF888056D5010801	旋梭紧固螺钉 SCREW	2
05	PF90000505	旋梭定位钩 POSITIONING FINGER	1
06	BF700S039	旋梭定位钩螺钉 SCREW 11/64-40 L=9.5	1
07	PF90000507	下轴 HOOK DRIVING SHAFT	1
08	PF555058	下轴限油螺钉 OIL SEAL SCREW ASM.	1
09	PF55505901	下轴限油芯 OIL WICK	1
10	PF90000510	下轴前轴套 FRONT BUSHING	1
11	PF888056D5010802	旋梭紧定螺钉 SCREW	1
12	PF90000512	下轴中轴套 MID BUSHING	1
13	PF90000513	下轴后轴套 REAR BUSHING	1
14	PF555029	下轴后轴套螺钉 SCREW 3/16-28 L=15	2
15	PF5550516	下轴挡圈 SNAP RING	1
16	PF5550511	下轴挡圈螺钉 SCREW 1/4-40 L=8	2
17	PF555051805	下轴伞齿轮 (小) BEVEL GEAR (SMALL)	1
18	PF55505180501	伞齿轮螺钉 SCREW 1/4-40 L=8	8
19	PF555052005	竖轴下伞齿轮 (大) BEVEL GEAR (LARGE)	1
20	PF90000520	竖轴下轴套 LOWER BUSHING	1
21	PF90000521	竖轴上轴套 UPPER BUSHING	1
22	PF9800TD410	竖轴上轴套螺钉 SCREW 11/64-28 L=9	1
23	PF5550524	竖轴 UPRING SHAFT	1
24	PF555052505	竖轴上伞齿轮 (小) BEVEL GEAR (SMALL)	1

零件编号 (number)	零件品号 (Product number)	零件名称 (Product name)	Q5T 用量 (Number of Q5T used)
25	PF555052605	上轴伞齿轮 (大) BEVEL GEAR (LARGE)	1
27	PF6150404	竖轴上轴套挡圈 SNAP RING	1
28	PF5550330	竖轴上轴套挡圈螺钉 SCREW 1/4-40 L=8	2
29	PF9990709	下轴防油圈 OIL SEAL RING	1

FEED MECHANISM COMPONENTS

6. 送料分组件 FEED MECHANISM COMPONENTS

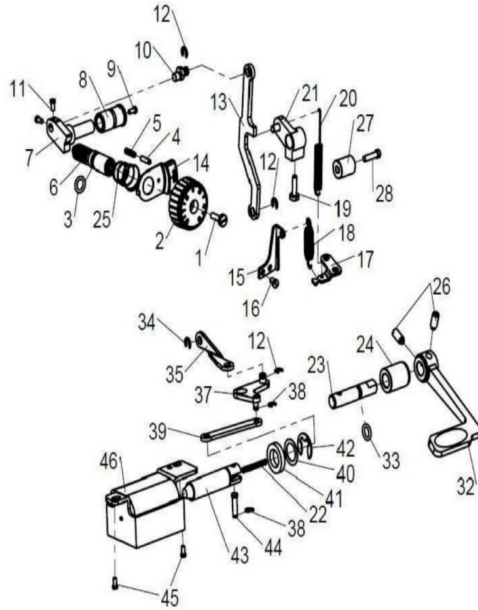


零件编号 (number)	零件品号 (Product number)	零件名称 (Product name)	Q5T 用量 (Number of Q5T used)
01	PF98000602	送料偏心轮组件 FEED DRIVE ECCENTRIC CAM SAM.	1
02	PF555062	送料偏心轮 FEED DRIVE ECCENTRIC CAM	1
03	PF555063	送料偏心轮螺钉 SCREW 1/4-40 L=11	2
04	PF555064	送料偏心轮盖板 THRUST COLLAR	1
05	PF555065	偏心轮盖板螺钉 SCREW 9/64-40 L=5	1
06	PF555066	送料连杆 ROCKER SHAFT CONNECTING ROD	1
07	PF555067	送料连杆销 WALKING FOOT PIN	1
08	PF555068	连接销螺钉 SCREW 9/64-40 L=6	4
09	PF555069	送料长摆动板 LONG WALKING FOOT LINK	2
10	PF5550610	送料短摆动板 SHORT WALKING FOOT LINK	2
11	PF5550611	长摆动板连接销 WALKING FOOT PIN	2
12	PF888056D613	送料摆动板座部件 WALKING FOOT ADJUST LINK	1
13	PF5550614	送料摆动板座左右销 ADJUSTING LINK FULCRUM SHAFT	2
14	PF6150326	左右销螺钉 SCREW 15/64-28 L=7	2
15	PF5550653	抬牙送布紧圈 RETAINING RING	2
16	PF6150304	送布轴紧固螺钉 SCREW	4
17	PF5550618	送料曲柄 FEED ROCKER SHAFT CRANK ASM.	1
18	PF5550619	送料曲柄销 WALKING FOOD PIN	1
19	PF5550621	送料曲柄螺钉 SCREW 9/64-28 L=14	1
20	PF90000620	送布轴 FEED ROCKER SHAFT	1

零件编号 (number)	零件品号 (Product number)	零件名称 (Product name)	Q5T 用量 (Number of Q5T used)
21	PF90000621	牙架曲柄轴螺钉 SCREW	2
22	PF5550633	牙架曲柄固定螺钉 SCREW	1
23	PF90000623	牙架曲柄 FEED CRACKET	1
24	PF90000624	牙架销 FEED BAR SHAFT	1
25	PF90000625	送料轴前轴套 FEED ROCKER SHAFT BUSHING	2
26	PF6150529	拾牙送布轴轴套垫圈 WASHER	2
27	SCJ1036	拾牙送布轴轴用挡圈 RETAINING RING	2
29	PF5550642	拾牙叉型曲柄 DRIVING SHAFT CRANK ASM.	1
30	PF6150607	拾牙叉型曲柄螺钉 SCREW 11/64-40 L=10.5	1
31	PF90000631	拾牙轴 FEED DRIVING SHAFT	1
32	PF90000632	拾牙后曲柄 REAR CRACK ASM.	1
33	PF5550648	拾牙后曲柄螺钉 SCREW 3/16-28 L=12	1
34	PF90000634	牙架组件 FEED ROCKER BASE ASM.	1
35	PF55500634B	送料牙 FEED DOG	1
36	PF5550635	送料牙螺钉 SCREW 1/8-44 L=6	2
37	PF5550651	拾牙连杆轴位螺母 NUT	1
38	PF5550650	拾牙连杆轴位螺钉 SCREW	1
39	PF5550649	拾牙连杆 CONNECTING ROD	1
40	PF5550652	拾牙连杆轴用挡圈 SNAP RING	1
41	PF5550627	送料轴油线 OIL WICK	1
42	PF5550627	拾牙轴油线 OIL WICK	1

FEED REGULATING COMPONENTS

7. 送料、调节分组件 FEED REGULATING COMPONENTS

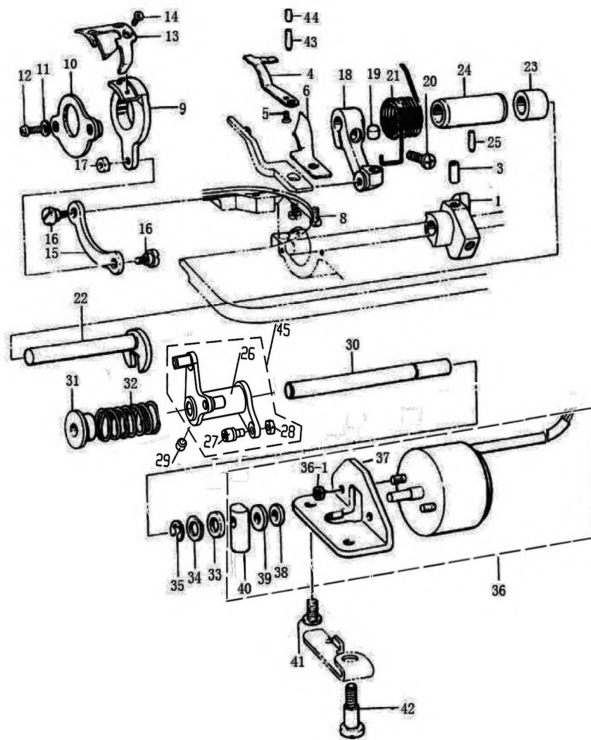


零件编号 (number)	零件品号 (Product number)	零件名称 (Product name)	Q5T 用量 (Number of Q5T used)
01	PFQ571	送料距旋钮螺钉 SCREW 3/16-28 L=9	1
02	PFQ572	送料距旋钮 FEED DIAL	1
03	PF555074	送料调节螺柱O型圈 RUBBER RING	1
04	PF9800070401	送料距锁合销 PIN	1
05	PF555076	送料距锁合簧 SPRING	1
06	PFQ576	送料调节螺柱 FEED REGULATOR SCREW	1
07	PF90000707	送料调节器 FEED REGULATOR	1
08	PF90000708	送料调节器轴套 FEED REGULATOR BUSHING	1
09	PF555079	送料调节器轴端螺钉 SCREW	1
10	PF90000710	倒送料连杆销 FEED REGULATOR PIN	1
11	PF68425B27	连杆销螺钉 SCREW	2
12	PFSCJ1007	倒送料连杆挡圈 SNAP RING	3
13	PF90000713	倒送料连杆 FEED REGULATOR CONNECTING ROD	1
14	PF9800070201	锁针距挡板 NEEDLE GAUGE LOCK GUIDE	1
15	PF5550724	摆动板座复位板 ADJUSTING LINK SPRING GUIDE	1
16	PF5550725	复位板螺钉 SCREW 11/64-40 L=5	2
17	PF98000717	拉簧固定板 FEED REVERSE HOOK	1
18	PF90010718	摆动板座复位簧 ADJUSTING LINK SPRING	1
19	PF5550721	倒送料曲柄螺钉 FEED REVERSE ARM SCREW	1
20	PF5550722	倒送料拉簧 FEED REVERSE SPRING	1

零件编号 (number)	零件品号 (Product number)	零件名称 (Product name)	Q5T 用量 (Number of Q5T used)
21	PF90000721	倒送料曲柄部件 FEED REVERSE ARM ASM.	1
22	PFS5T074601	铁芯弹簧 PLUNGER SPRING	1
23	PF90000723	倒送料轴 FEED REVERSE SHAFT	1
24	PF5550716	倒送料轴轴套 FEED LEVER METAL	1
25	PF0302445	送料调节旋钮弹簧 SPRING	1
26	PF5550330	倒送料扳手固定螺钉 SCREW 1/4-40 L=8	2
27	PFS5T0727	限位套 LIMIT SET	1
28	PF22840928	限位螺钉 SCREW	1
32	PFQ5732	倒送料扳手 REVERSE FEED CONTROL LEVER	1
33	PF5550715	倒送料轴O型圈 RUBBER RING	1
34	PFQ50734	拉杆挡圈 SNAP RING	1
35	PF888056D740	自动倒送料拉杆 AUTOMATIC FEEDING ROD	1
37	PF888056D737	自动倒送料曲柄部件 CONNECTING ARM ASM.	1
38	PFQ50738	曲柄短销挡圈 SNAP RING	2
39	PF9802646	铁芯连杆 IRON CORE ROD	1
40	PFS5T074602	铁芯垫 WASHER	1
41	PFS5T074603	铁芯橡胶垫 RUBBER WASHER	1
42	PFS5T074604	铁芯挡圈 SNAP RING	1
43	PFS5T074605	铁芯 IRON CORE	1
44	PFS5T074606	铁芯连接销 PLUNGER ARM PIN	1
45	PF888056D730	安装螺钉 SCREW	2
46	PFS5T0746	倒送料电磁铁线圈组件 REVERSE FEED MAGNET ASM.	1

ROUND KNIFE COMPONENTS

8. 剪线分组件



零件编号 (number)	零件品号 (Product number)	零件名称 (Product name)	Q5T 用量 (Number of Q5T used)
01	PF90008101	剪线凸轮 THREAD TRIMMER CAM	1
03	PF90008103	剪线凸轮螺钉 SCREW 1/4-40 L=10	2
04	PF90008104	定刀 CONNTER KNIFE	1
05	PF68425H26	定刀固定螺钉 SCREW	1
06	PF90008106	分线器 DISPART THREAD SHUTTLE	1
08	PF6150211	分线器固定螺钉 SCREW	1
09	PF90008109	动刀架 ROUND KNIFE BRACKET	1
10	PF90008110	刀架压板组件 KNIFE HOLDER ASM	1
11	PF5550630	刀架压板垫圈 WASHER	2
12	PF90008112	刀架压板螺钉 SCREW	2
13-1	PF9000811301	45#动刀 ROUND KNIFE	1
13-2	PF90008113	46#动刀 ROUND KNIFE	1
14	PF90008114	动刀固定螺钉 SCREW	2
15	PF90008115	刀轴连杆 KNIFE SHAFT CRANK ROD	1
16	PF90008116	刀轴连杆螺钉 SCREW	2
17	PF90008117	刀轴连杆螺母 NUT	1
18	PF90008118	切线驱动曲柄 TRIMMING CRANK	1
19	PF9000811801	切线驱动曲柄止动块 BLOCK	1
20	PF9000812001	切线驱动曲柄螺钉 SCREW	1
21	PF90008121	复位弹簧 REPLACE SPRING	1

零件编号 (number)	零件品号 (Product number)	零件名称 (Product name)	Q5T 用量 (Number of Q5T used)
22	PF90008122	切线驱动曲柄轴 TRIMMING CRANK SHAFT	1
23	PF90008123	驱动曲柄轴短套 SHORT BUSHING	1
24	PF90008124	切线轴套 BUSHING	1
25	PF55506461	切线轴套紧定螺钉 SCREW	1
26	PF9000812603	切线凸轮曲柄 TRIMMING CAM CRANK	1
27	PF9000812601	滚柱轴分组件 ROLLER BEARING SHAFT ASM.	1
28	PF9000812602	螺母 NUT 11/64-40	1
29	PF90008129	切线凸轮曲柄紧定螺钉 SCREW 1/4-40 L=6	1
30	PF90008130B	切刀驱动轴 TRIMMING SHAFT	1
31	PF90008131	扭簧端盖 SPRING COVER	1
32	PF90008132	剪线电磁铁复位弹簧 SPRING	1
33	PF90008133	切线磁铁垫圈 WASHER	1
34	PF90008134	切线驱动轴垫圈 CLIP	1
35	SCJ1009	切线驱动轴卡圈 WASHER	1
36	PFS5T0836	剪线电磁铁组件 THREAD TRIMMER SOLENOID ASM.	1
36-1	PF980280401	螺母 (M4) NUT(M4)	2
37	PF980280402	剪线电磁铁安装座 SOLENOID BASE	1
38	PF980280403	电磁铁缓冲垫 WASHER	1
39	PF980280404	垫圈 WASHER	1
40	PF980280405	切线电磁铁连接体 SOLENOID CONNECTING SHAFT	1
41	PF90008141	剪线电磁铁架固定螺钉 SCREW 1/4-28	1
42	PF90008142	松线座螺钉 SCREW 1/4-28	1
43	PF900081412	定刀顶紧螺钉 SCREW 1/8-44X6	1
44	BF7005292	定刀顶紧螺钉 SCREW 1/8-44X3	1
45	PF90008126	切线凸轮曲柄组件 TRIMMING CAM CRANK ASM.	1

ELECTRIC CLAMP COMPONENTS

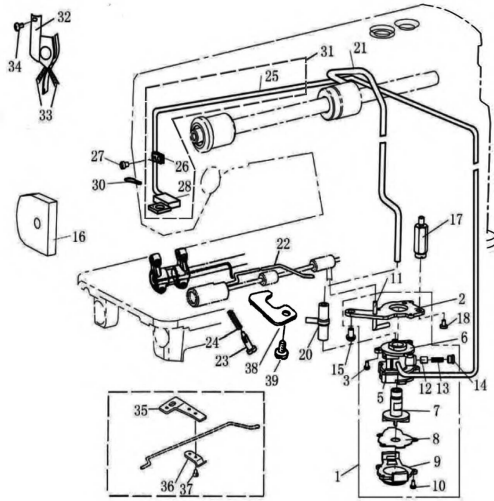
9. 电子夹线组件 ELECTRIC CLAMP COMPONENTS



零件编号 (number)	零件品号 (Product number)	零件名称 (Product name)	Q5T 用量 (Number of Q5T used)
01	PFS5T0902	照明灯 REVEVSE SEWING SWITCH	1
02	PF555016	照明灯固定螺钉 SCREW	2
03	PFS5T090501	电子夹线器 ELECTRIC CLAMP	1
04	PF9800TD409	电子夹线器固定螺钉 SCREW	1

LUBRICATION COMPONENTS

10. 润滑分组件

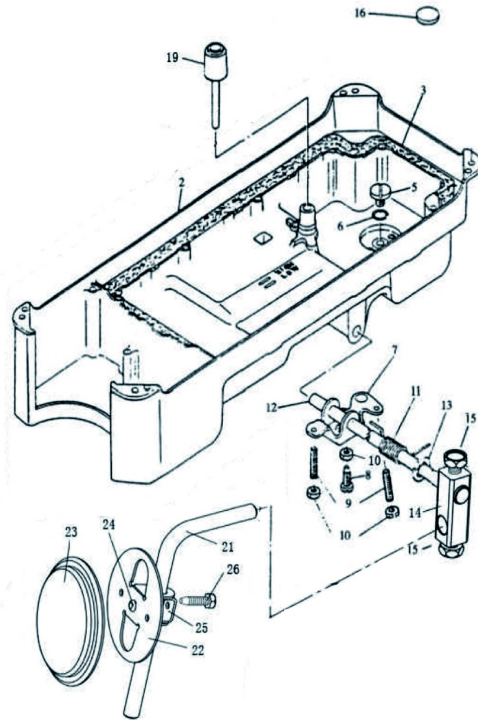


零件编号 (number)	零件品号 (Product number)	零件名称 (Product name)	Q5T 用量 (Number of Q5T used)
01	PF555081	油泵部件 LUBRICATING OIL PUMP ASM.	1
02	PF55508101	油泵安装板 OIL PUMP INSTALLING BASE	1
03	PF55508102	油泵安装螺钉 SCREW 15/64-28 L=9	3
05	PF55508103	油泵体 OIL PUMP	1
06	PF55508104	油泵体衬套 OIL PUMP BUSHING	1
07	PF55508105	油泵叶轮 OIL PUMP IMPELLER	1
08	PF55508106	油泵叶轮托板 OIL PUMP IMPELLER COVER	1
09	PF55508107	油泵盖分部件 LUBRICAING OIL PUMP COVER	1
10	PF55508108	油泵盖螺钉 SCREW	3
11	PF55508109	下轴供油管 HOOK DRIVING SHAFT OIL TUBE	1
12	PF55508110	回油柱塞 PLUNGER	1
13	PF55508111	柱塞簧 PLUNGER SPRING	1
14	PF55508112	柱塞螺钉 SCREW	1
15	PF2284014802	螺钉 SCREW	1
16	PF90011038	海绵 SPONGE	1
17	PF5550815	油泵连接螺柱 OIL PUMP SUPPORT	1
18	PF555056	螺柱连接螺钉 SCREW 11/64-40 L=9.5	1
20	PF5550817	供油管接头 (三通) RUBBER JOINT	1
21	PF9800TD408	上轴供油管 MAIN SHAFT OIL TUBE	1
22	PF90001022	旋梭供油管 (旋刀机构用) OIL TUBE	1
23	PF90001023	油量调节螺钉 OIL ADJUSTING SCREW	1
24	PF90001024	油量调节簧 SPRING	1
25	SCJ5009	回油管 OIL RETURN GUARD	1
26	PF5550827	回油管夹 OIL RETURN TUBE HOLDER	1
27	PF5550230	回油管夹螺钉 SCREW 1/8-28 L=6	1
28	PF5550830	回油毡 OIL FELT	1

零件编号 (number)	零件品号 (Product number)	零件名称 (Product name)	Q5T 用量 (Number of Q5T used)
30	PF5550831	回油毡夹 OIL FELT PRESSER	1
31	PF5550830YGGZJ	回油管组件 (配件房配)	1
32	PF5550832	面部油线板 OIL WICK SUPPORT	1
33	PF5550833	面部油线 OIL WICK	1
34	PF5550834	面部油线板螺钉 SCREW	1
35	PF888056D442	软管下支承板 WIRE HOLDER BARCKET (LOWER)	1
36	PF888056D437	软管下支承板压板 WIRE HOLDER	1
37	PF5550725	软管下支承板压板螺钉 SCREW 11/64-40 L=5	1
38	PF5550822	旋梭油量供油压板 WIRE HOLDER	1
39	PF888056D730	安装螺钉 SCREW	1

PRESSER FOOT COMPONENTS OF OIL PLATE KNEE LIFT

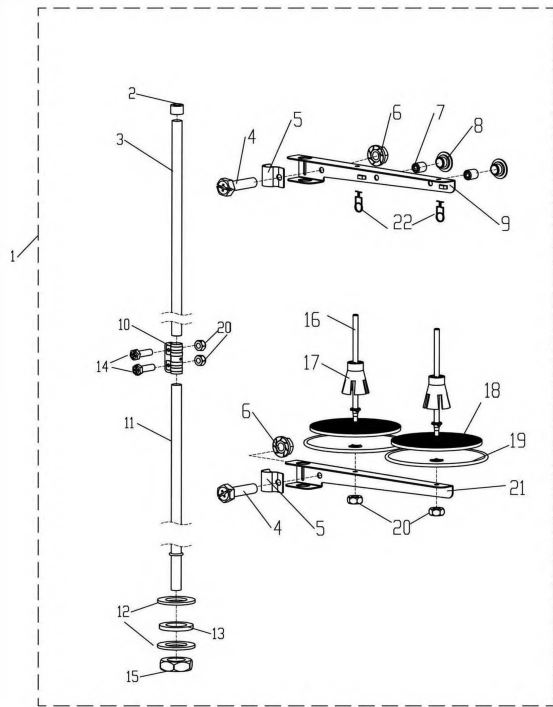
11. 油盘膝提抬压脚分组件 PRESSER FOOT COMPONENTS OF OIL PLATE KNEE LIFT



零件编号 (number)	零件品号 (Product number)	零件名称 (Product name)	QST 用量 (Number of QST used)
02	PF555092	油盘 OIL PLATE	1
03	PF555093	油盘垫 OIL PLATE BED	1
05	PF555095	排油孔螺钉 OIL EXTRACTION HOLE SCREW	1
06	PF555096	排油孔螺钉O型圈 RUBBER RING	1
07	PF5550912	抬压脚双向曲柄 TWO-WAY CRANK	1
08	PF5550913	双向曲柄螺钉 SCREW	1
09	PF5550914	双向曲柄限位调节螺钉 BANKING SCREW OF TWO-WAY CRANK	2
10	PF5550915	双向曲柄限位调节螺母 BANKING NUT OF TWO-WAY CRANK	3
11	PF5550916	双向曲柄扭簧 TWISTING SPRING	1
12	PF5550917	抬压脚轴 LIFTING PRESSOR FOOT SHAFT	1
13	SCJ1014	抬压脚轴开口挡圈 OPEN SHIELD RING	1
14	PF5550919	抬压脚轴操纵杆接头 OPERATING BAR HEAD	1
15	PF5550930	操纵杆接头螺钉 OPERATING BAR HEAD SCREW	2
16	SCJ6012	油盘磁铁 OIL PLATE MAGNET	1
19	PF5550911	抬压脚顶销 TOP PIN	1
21	PF5550922	操纵杆 OPERATING BAR	1
22	PF5550923	操纵板 OPERATING PLATE	2
23	PF5550924	操纵板软垫 SOFT CUSHION OF OPERATING BAR	1
24	PF5550925	操纵板垫 OPERATING BAR BED	1
25	PF5550926	操纵杆接头 OPERATING BAR TIP	1
26	PF5550927	接头螺钉 TIP SCREW	1

COMPONENTS OF THREAD-RUNNING STAND

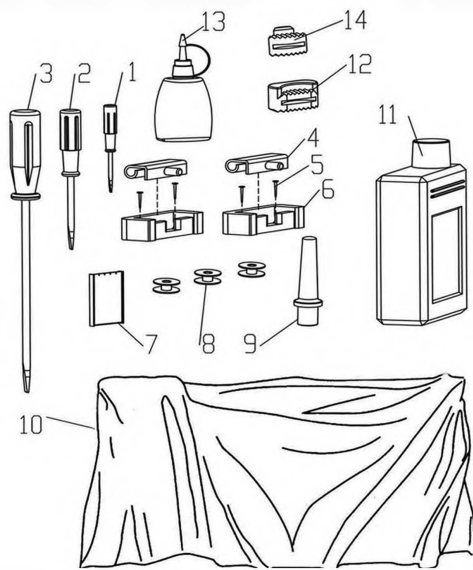
12. 过线架分组件



零件编号 (number)	零件品号 (Product number)	零件名称 (Product name)	Q5T 用量 (Number of Q5T used)
01	PF55501127	过线架组件 THREAD STAND AMS.	1
02	PF5550112701	撑管套 COLUMN CAP	1
03	PF5550112702	线架上撑管 COLUMN PIPE(UPPER)	1
04	PF5550112703	线架螺钉 SCREW	2
05	PF5550112704	线臂抱攀 THREAD GUIDE ARM JOINT	2
06	PF5550112705	法兰花齿螺母 NUT	2
07	PF5550112706	过线管 THREAD GUIDE PIPE	2
08	PF5550112707	过线管套 THREAD GUIDE BUSHING	2
09	PF5550112708	上过线架 THREAD HANGER(2 SPOOLS TUPE)	1
10	PF5550112709	撑管夹 COLUMN PIPE CONNECTOR	1
11	PF5550112710	线架下撑管 COLUMN PIPE(LOWER)	1
12	PF5550112711	垫圈 WASHER	2
13	PF5550112712	橡胶垫圈 WASHER	1
14	PF5550112713	撑管夹螺钉 SCREW	2
15	PF5550112714	下过线架螺母 NUT	1
16	PF5550112715	线轴 SPOOL PIN	2
17	PF5550112716	线盘塑料压块 SPOOL CUSHION	2
18	PF5550112717	线盘软垫 SOFT CUSHION OF THREAD PLARE	2
19	PF5550112718	线盘 THREAD PLATE	2
20	PF5550112719	撑管夹螺母 NUT	4
21	PF5550112720	下过线架 THREAD HANGE(LOWER)	1
22	PF5550112721	过线圈 THREAD GUIDE RING	2

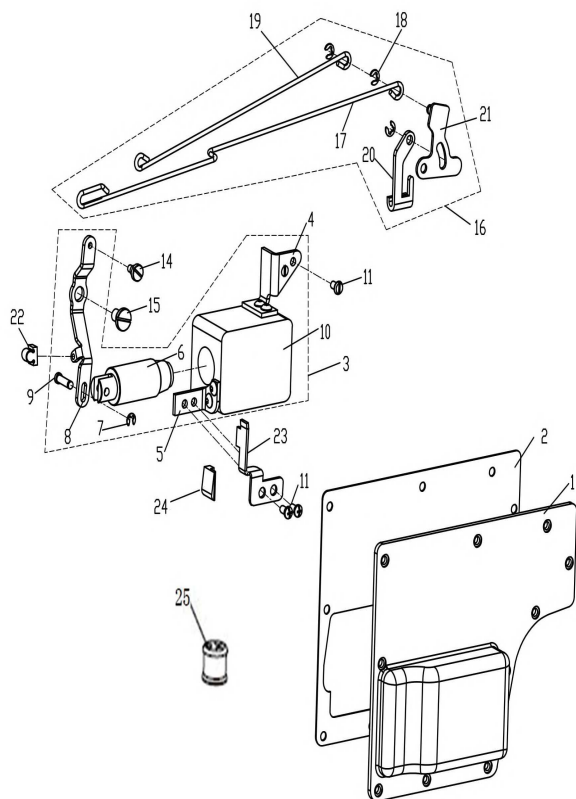
AUXILIARIES

13. 附件



零件编号 (number)	零件品号 (Product number)	零件名称 (Product name)	Q5T 用量 (Number of Q5T used)
01	PF55501018	螺丝刀 (小) SCREW DRIVER (SMALL)	1
02	PF55501017	螺丝刀 (中) SCREW DRIVER (MIDDLE)	1
03	PF55501016	螺丝刀 (大) SCREW DRIVER (LARGE)	1
04	PF5550101	机头连接钩部件 HINGE COMPL	2
05	SCJ6018	机头连接钩座钉 RUBBER CUSHION NAIL	6
06	PF5550102	机头连接钩座 RUBBER CUSHION	2
07	PFDTDB114	机针 NEEDLE	4
08	PF888056D503	梭心 BOBBIN	3
09	PFQ51425	机头支柱 FRAME SUPPORT BAR	1
10	PF5550102001	机头罩 FRAMEVINYL COVER	1
11	PF55501022	油箱 OIL BOTTLE WITH OIL	1
12	PF555099	机头支架 NOSE SUPPORT	2
13	PF61501105	小油壶 OILER ASM.	1
14	PF555098	机头座垫 DIE CUSHION	1

AUTOMATIC PRESSER FOOT LIFTER COMPONENTS

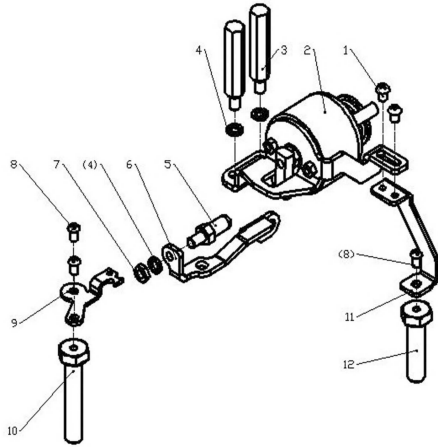


零件编号 (number)	零件品号 (Product number)	零件名称 (Product name)	Q5T 用量 (Number of Q5T used)
01	PFQ51414A	后窗板 FACE PLATE	1
02	PFQ51424A	后窗板垫 FACE PLATE GASKET	1
03	PFS5T1403	抬压脚电磁铁组件 PRESSER FOOT SOLENOID ASM.	1
04	PFQ514301	右支架 RIGHT STAND	1
05	PFQ514302	左支架 LEFT STAND	1
06	PFQ514303	抬压脚电磁体铁芯 SOLENOID CORE	1
07	PFQ514304	铁芯连接销卡簧 SNAP RING	1
08	PFQ514305	摆动杆 CRANK ROD	1
09	PFQ514306	铁芯连接销 IRON-CORE CONNECTING PIN	1
10	PFQ514307	电磁铁线圈基体 PRESSER FOOT SOLENOID	1
11	PF5550161	支架固定螺钉 SCREW 3/16-28 L=12	4
14	PF7810616	长拉杆连接螺钉 SCREW	1
15	PFQ51415	摆动杆轴位螺钉 SCREW	1
16	PFQ51416	自动抬压脚前杠杆组件 HAND LIFTER LINK ASM.	1
17	PFQ5141601	自动抬压脚拉杆(长) CONNECTING ROD(LONG)	1
18	SCJ1008	连接卡簧 SNAP RING	3
19	PF5550425	抬压脚拉杆 LIFTING LEVER CONNECTING ROD	1
20	PF9000041801	压脚升降板 LIFTING LEVER	1
21	PF90000417	抬压脚前杠杆部件 HAND LIFTER LINK	1
22	PFQ51422	缓冲垫 RUBBER PLUG	1

零件编号 (number)	零件品号 (Product number)	零件名称 (Product name)	Q5T 用量 (Number of Q5T used)
23	PFQ51423A	缓冲挡板 BUFFER BAFFLE	1
24	PFS5T1423	防护垫 PROTECTIVE PAD	1
25-1	PF888056D131	电线过线套(两孔) WIRE CROSSING SLEEVE (TWO HOLES)	1
25-2	PF9800TD406	电线过线套(三孔) WIRE CROSSING SLEEVE (THREE HOLES)	1

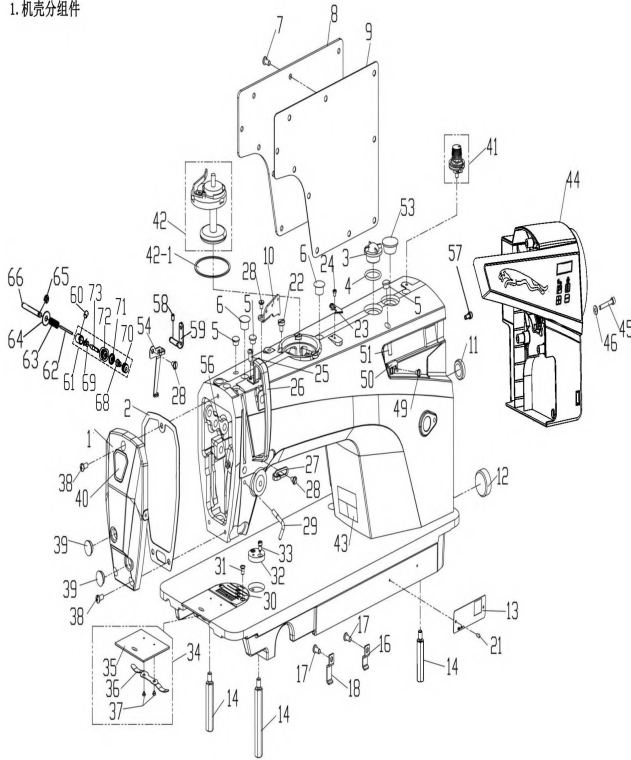
THICK SEAM COMPONENTS

15. 密缝组件 THICK SEAM COMPONENTS (仅用于 Q5Ts)



零件编号 (number)	零件品号 (Product number)	零件名称 (Product name)	Q5T 用量 (Number of Q5T used)
01	PF5550230	螺钉 SCREW	2
02	PFQ61502	回针电磁铁组件 CLOSE NEEDLE SOLENOID ASM.	1
03	PF555013	底板支柱 BED SCREW STUD	2
04	PFQ61504	弹垫 SPRING WASHERS	3
05	PFQ61515	推杆 THE PUSH ROD	1
06	PFQ60735	自动倒送料拉杆 AUTOMATIC FEEDING ROD	1
07	PF7811573	螺母 NUT	1
08	PF5550633	螺钉 SCREW	2
09	PFQ60735	拉簧固定板 TENSION SPRING FIXED PLATE	1
10	PFQ61510	螺丝 SCREW	1
11	PFQ61511	连接支架 CONNECTING BRACKET	1
12	PFQ61512	螺丝 SCREW	1

1. 机壳分组件



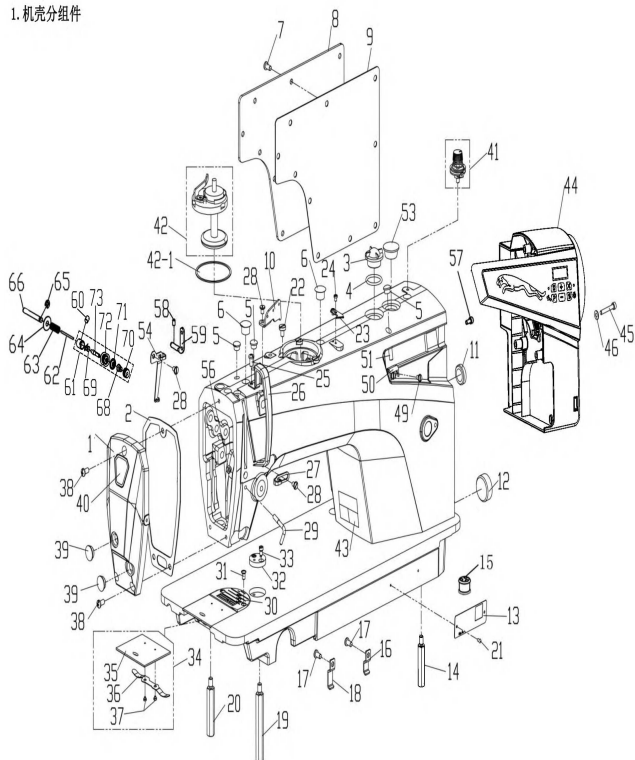
零件编号 (number)	零件品号 (Product number)	零件名称 (Product name)	Q1 用量 (Number of Q1 used)
01	PFQ531726083	夹线螺钉 Screw	1
02	PFQ512	面板垫FACE PLATE GASKET	1
03	PF5550824	油窗OIL WINDOW	1
04	PF5550825	油窗O型圈THRUST COLLAR ASM	1
05	PF5550113	挑线连杆销螺孔塞RUBBER PLUG	3
06	PF5550112	针杆曲柄螺孔塞RUBBER PLUG	2
07	PF555016	后窗板螺钉SCREW 3/16X28 L=9	8
08	PFQ518	后窗板SIDE PLATE	1
09	PFQ519	后窗板垫SIDE PLATE GASKET	1
10	PFQ5110	三线线勾THREE EYELINER HOOK	1
11	PF5550114	送料调节器孔塞RUBBER PLUG	1
12	PF5550115	下轴盲孔塞RUBBER PLUG	1
13	PFS1T0113	型号牌MODEL PLATE	1
14	PF555013	底板支柱BED SCREW STUD	4
16	PF99901511	电线压板(短) CORD HOLDER(S)	2
17	PF5550161	电线压板固定螺钉SCREW 3/16X28 L=12	3
18	PF99901160	电线压板(长) CORD HOLDER(L)	1
21	PFQ1121	型号牌铆钉POLE	2
22	PF90000131	绕线器紧固螺钉SCREW 3/16X32 L=7	3
23	PF90000132	绕线切刀THREAD CUTTER	1

零件编号 (number)	零件品号 (Product number)	零件名称 (Product name)	Q1 用量 (Number of Q1 used)
24	PF68425K19	绕线切刀固定螺钉SCREW 1/8X40 L=4	2
25	PF5550230	挑线杆护罩螺钉SCREW 3/16X28 L=6	1
26	PF5550229	挑线杆护罩THREAD TAKE-UP LEVER COVER	1
27	PF5550316	右线钩RIGHT ARM THREAD GUIDE	1
28	PF5550317	右线钩螺钉SCREW 11/64X40 L=6	3
29	PF9520MXDK021	大线钩LARGE ARM THREAD GUIDE	1
31	PF5550637	针板螺钉SCREW 11/64X40 L=8.5	2
32	PFQ50132	卷边器座RULER PLATE	1
33	PF5550117	卷边器座螺钉SCREW 11/64X40 L=5	2
34	PF5550638	推板组件SLIDE PLATE ASM	1
35	PF555063801	推板SLIDE PLATE	1
36	PF555063802	推板簧SPRING OF SLIDE PLATE	1
37	PF555063803	推板螺钉SCREW	2
38	PF5550161	面板螺钉 SCREW 3/16X28 L=12	3
39	PF5550111	面板调节螺孔塞RUBBER PLUG	2
40	PFQ50140	面板装饰牌PLATE	1
41	PFQ5141	绕线夹线器组件BOBBIN THREAD TENSION ASM	1
42	PF90000157	绕线器BOBBIN WINDER ASM	1
42-1	PF900001511	绕线器油封OIL SEAL	1
43	PFQ1139	安全指示牌SAFETY-INDICATING PLATE	1
44	PFQ1190	电机罩组件PILLEY COVER ASM	1
45	PFQ50145	电机罩组件固定螺钉SCREW M4 L=20	3
46	PFQ50146	电机罩组件固定螺钉垫片WASHER	3
49	PFQ5149	支架固定螺钉SCREW M4 L=5.5	2
50	PFQ5150	支架 STAND	1
51	PFQ5151	操作面板顶紧螺钉SCREW M5 L=25	1
53	PF98000187	调节孔孔塞RUBBER PLUG	1
54	PFQ5129	左线钩LEFT ARM THREAD GUIDE	1
56	PF9520MXDK02101	螺母 NUT 11/64X40	1
57	PF1310D239	地线紧固螺钉SCREW M4	1
58	PF68425H33	二眼线钩螺钉SCREW	1
59	PF5550314	二眼线钩TWO-HOLE THREAD EYELET	1
60	PF5550330	夹线器螺钉SCREW	1
61-1	PFQ531726	夹线器组件THREAD TENSION ASM	1
62	PF5550330	松线钉THREAD RELEASE PIN	1
63	PF5550334	松线辅钉弹簧TESNION RELEASE PIN SPRING	1
64	PFQ10153	垫片WASHER	1
65	PF5550333	卡圈 E-RING	1
66	PF90000329	松线辅钉 TESNION RELEASE SUPPORTING PIN	1
30-2	PF0302141	针板 M2.6NEEDLE PLATE	1
61-2	PFQ5H3172601	厚料大夹线器组件THREAD TENSION ASM	1

零件编号 (number)	零件品号 (Product number)	零件名称 (Product name)	Q1 用量 (Number of Q1 used)
68-1	PFQ53172606	夹线簧 Clamp spring	1
68-2	PFQ5H3172606	夹线簧 (厚料) Clamp spring Heavy	1
69-1	PFQ53172606	挑线簧 Take up spring	1
69-2	PFQ5H3172606	挑线簧 (厚料) Take up spring Heavy	1
70	PFQ53172608	夹线螺母 Tension Nut	1
71	PFQ53172605	松线板 Tension Disc Holder	1
72	PFQ53172604	夹线板 Tension Disc	1
73	PFQ531726083	夹线螺钉 Screw	1
30-3	PF90010140H	针板 M2.4NEEDLE PLATE	1
30-1	PF5550636	针板 M1.9NEEDLE PLATE	1

MACHINE MECHANISM

1. 机壳分组件



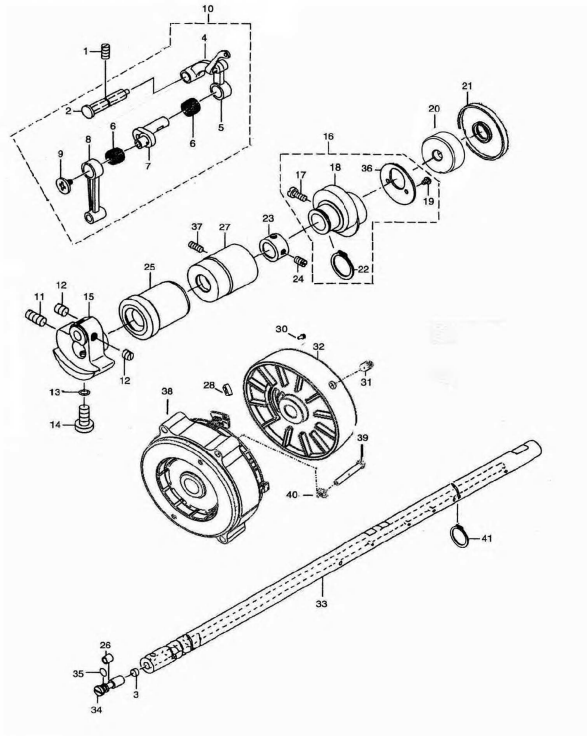
零件编号 (number)	零件品号 (Product number)	零件名称 (Product name)	Q2用量 (Number of Q2 used)
01	PFQ511	面板 FACE PLATE	1
02	PFQ512	面板垫FACE PLATE GASKET	1
03	PF5550824	油窗 OIL WINDOW	1
04	PF5550825	油窗O型圈THRUST COLLAR ASM	1
05	PF5550113	挑线连杆销螺孔塞 RUBBER PLUG	3
06	PF5550112	针杆曲柄螺孔塞RUBBER PLUG	2
07	PF555016	后窗板螺钉SCREW 3/16X28 L=9	8
08	PFQ518	后窗板SIDE PLATE	1
09	PFQ519	后窗板垫 SIDE PLATE GASKET	1
10	PFQ5110	三眼线勾 THREE EYELINER HOOK	1
11	PF5550114	送料调节器孔塞RUBBER PLUG	1
12	PF5550115	下轴盲孔塞RUBBER PLUG	1
13	PFS2T0113	型号牌MODEL PLATE	1
14	PF555013	底板支柱 BED SCREW STUD	2
15	PFQ20115	电线过线套 (一孔) NEEDLE BEARING(ONE HOLE)	1
16	PF99901511	电线压板 (短) CORD HOLDER(S)	2
17	PF5550161	电线压板固定螺钉 SCREW 3/16X28 L=12	2
18	PF99901160	电线压板 (长) CORD HOLDER(L)	1
19	PF90000120	电线压板 (长) CORD HOLDER(L)	1
20	PF90000121	底板支柱 (中) BED SCREW STUD(M)	1

零件编号 (number)	零件品号 (Product number)	零件名称 (Product name)	Q2 用量 (Number of Q2 used)
21	PFQ1121	型号牌铆钉POLE	2
22	PF90000131	绕线器紧固螺钉 SCREW 3/16X32 L=7	3
23	PF90000132	绕线切刀THREAD CUTTER	1
24	PF68425K19	绕线切刀固定螺钉 SCREW 1/8X40 L=4	2
25	PF5550230	挑线杆护罩螺钉SCREW 3/16X28 L=6	1
26	PF5550229	挑线杆护罩THREAD TAKE-UP LEVER COVER	1
27	PF5550316	右线钩RIGHT ARM THREAD GUIDE	1
28	PF5550317	右线钩螺钉SCREW 11/64X40 L=6	3
29	PF9520MXDK021	大线钩LARGE ARM THREAD GUIDE	1
30-1	PF555063601B	针板 (M)NEEDLE PLATE(M)	1
30-2	PF0302141	针板 M2.6 (H) NEEDLE PLATE (H)	1
30-3	PF90010140H	针板 M2.4 (L) NEEDLE PLATE (L)	1
31	PF5550637	针板螺钉 SCREW 11/64X40 L=8.5	2
32	PF03030118	卷边器座 RULER PLATE	1
33	PF5550117	卷边器座螺钉 SCREW 11/64X40 L=5	2
34	PF5550638	推板组件 SLIDE PLATE ASM	1
35	PF555063801	推板 SLIDE PLATE	1
36	PF555063802	推板簧SPRING OF SLIDE PLATE	1
37	PF555063803	推板螺钉 SCREW	2
38	PF5550161	面板螺钉 SCREW 3/16X28 L=12	3
39	PF5550111	面板调节螺孔塞RUBBER PLUG	2
40	PFQ50140	面板装饰牌PLATE	1
41	PFQ5141	绕线夹线器组件BOBBIN THREAD TENSION ASM	1
42	PF90000157	绕线器BOBBIN WINDER ASM	1
42-1	PF900001511	绕线器油封OIL SEAL	1
43	PFQ1139	安全指示牌SAFETY-INDICATING PLATE	1
44	PFQ20190	电机罩组件PILLEY COVER ASM	1
45	PFQ50145	电机罩组件固定螺钉SCREW M4 L=20	3
46	PFQ50146	电机罩组件固定螺钉垫片WASHER	3
49	PFQ5149	支架固定螺钉 SCREW M4 L=5.5	2
50	PFQ5150	支架 STAND	1
51	PFQ5151	操作面板顶紧螺钉SCREW M5 L=25	1
53	PF98000187	调节孔孔塞RUBBER PLUG	1
54	PFQ5129	左线钩LEFT ARM THREAD GUIDE	1
56	PF9520MXDK02101	螺母 NUT 11/64X40	1
57	PF1310D239	地线紧固螺钉 SCREW M4	1
58	PF68425H33	上夹线器螺钉 SCREW	1
59	PFQ531216	上夹线器 UPPER THREAD CLIPPING DEVICE	1
60	PF5550330	夹线器螺钉SCREW	1
61-1	PFQ531726	夹线器组件THREAD TENSION ASM	1
61-2	PFQ5H3172601	厚料大夹线器组件THREAD TENSION ASM	1

零件编号 (number)	零件品号 (Product number)	零件名称 (Product name)	Q2 用量 (Number of Q2 used)
62	PF5550330	松线钉 THREAD RELEASE PIN	1
63	PF5550334	松线辅钉弹簧 TESNION RELEASE PIN SPRING	1
64	PFQ10153	垫片 WASHER	1
65	PF5550333	卡圈 E-RING	1
66	PF90000329	松线辅钉 TESNION RELEASE SUPPORTING PIN	1
68-1	PFQ53172606	夹线簧 Clamp spring	1
68-2	PFQ5H3172606	夹线簧 (厚料) Clamp spring Heavy	1
69-1	PFQ53172606	挑线簧 Take up spring	1
69-2	PFQ5H3172606	挑线簧 (厚料) Take up spring Heavy	1
70	PFQ53172608	夹线螺母 Tension Nut	1
71	PFQ53172605	松线板 Tension Disc Holder	1
72	PFQ53172604	夹线板 Tension Disc	1
73	PFQ531726083	夹线螺钉 Screw	1

MAIN SHAFT&THREAD-UP LEVER MECHANISM

2. 上轴、挑线分组件

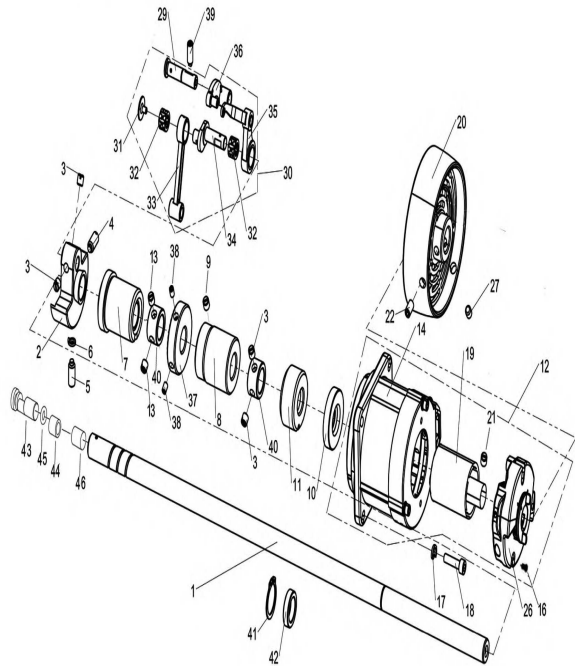


零件编号 (number)	零件品号 (Product number)	零件名称 (Product name)
01	PF555022	挑线连杆销螺钉SCREW 15/64X28 L=10.5
02	PF5550225	挑线连杆销THREAD TAKE-UP CRANK SHAFT
03	PF5550211	曲柄油量限制毡ROLLER FELT
04	PF55502211	挑线连杆 THREAD TAKE-UP LEVER
05	PF55502212	挑线连杆分组件THREAD TAKE-UP LEVER ASM
06	PF555022404	挑线杆滚针轴承NEEDLE BEARING
07-1	PF55502201	挑线曲柄部件NEEDLE BAR CRANK
07-2	PF5550H2201	挑线曲柄部件 (H) NEEDLE BAR CRANK (H)
08	PF555031	针杆连杆NEEDLE BAR CRANK ROD
09	PF5550228	挑线曲柄左旋螺钉LEFT SCREW 9/64X40 L=4.8
10-1	PF55500223A	针杆曲柄组件COUNTER WEIGHT ASM
10-2	PF5550H0223A	针杆曲柄组件 (H) COUNTER WEIGHT ASM (H)
11	PF5550218	针杆曲柄紧固螺钉SCREW 9/32X28 L=16
12	PF5550625	挑线曲柄定位螺钉SCREW 1/4X40 L=6
13	PF5550217	定位螺钉O型圈RUBBER RING
14	PF5550216	针杆曲柄 COUNTER WEIGHT
15-1	PF5550215	针杆曲柄 COUNTER WEIGHT
15-2	PFQ520201	针杆曲柄 (H) COUNTER WEIGHT (H)
16-1	PF55506202	送料偏心轮组件FEED DRIVE ECCENTRIC CAM ASM
16-2	PF55506203	送料偏心轮组件 (H) FEED DRIVE ECCENTRIC CAM ASM (H)

零件编号 (number)	零件品号 (Product number)	零件名称 (Product name)
16-3	PF55506204	送料偏心轮组件 (L) FEED DRIVE ECCENTRIC CAM ASM (L)
17	PF555063	送料偏心轮螺钉SCREW 1/4X40 L=13
18-1	PF555062	送料偏心轮FEED DRIVE ECCENTRIC CAM
18-2	PF55506201	送料偏心轮 (H) FEED DRIVE ECCENTRIC CAM (H)
18-3	PF55506201	送料偏心轮 (L) FEED DRIVE ECCENTRIC CAM (L)
19	PF555065	送料偏心轮盖板螺钉SCREW 9/64X40 L=6
20	PF9802DP0205	上轴后轴套MAIN SHAFT BEHIND BUSHING ASM
21	PF90000210	上轴油封 OIL SEAL
22	PF5550652	抬牙连杆轴挡圈SNAP RING
23	PF555026	上轴挡圈组件 THRUST COLLAR ASM
24	PF5550625	上轴挡圈螺钉 SCREW 1/4X40 L=6
25	PF90000207	上轴前轴套MAIN SHAFT FRONT BUSHING ASM
26	PF5550212	曲柄油量调节销OIL ADJUSTING COLLAR
27	PF555028	上轴中轴套BUSHING INTERMEDIATE
28	PF9802DP0223	磁钢 ALNICO
30	SCJ2038	挑线连杆销毛毡 THREAD TAKE-UP CRANK SHAFT FELT
31	SCJ2031	手轮螺钉 SCREW 15/64X28 L=10
32	PF9802DP0221	手轮 HAND WHEEL
33	PF9802DP0201	上轴 MAIN SHAFT
34	PF5550213	上轴油量调节销OIL AMOUNT ADJUSTING PIN
35	PF5550214	上轴油量调节销O型圈RUBBER RING
36	PF555064	送料偏心轴盖板THRUST COLLAR
37	PF555029	上轴中轴套螺钉SCREW
38	PF9802DP0219	无壳电机组件MOTOR ASM
39	SCJ2080	电机安装螺钉 SCREW
40	SCJ3001	电机安装螺钉垫片 WASHER
41	SCJ1036	转子限位挡圈 RETANING RING
6	PF555022404	挑线杆滚针轴承NEEDLE BEARING

MAIN SHAFT & THREAD TAKE-UP COMPONENTS

2. 上轴、挑线分组件

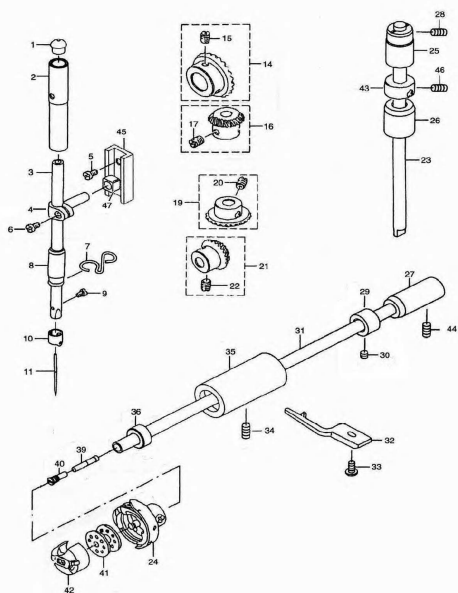


零件编号 (number)	零件品号 (Product number)	零件名称 (Product name)	Q2 用量 (Number of Q2 used)
01	PFQ20201	上轴MAIN SHAFT	1
02-1	PFQ60202	针杆曲柄NEEDLE BAR CRANK	1
02-2	PFQ520201	针杆曲柄(H)NEEDLE BAR CRANK(H)	1
03	PF5550625	挑线曲柄定位螺钉SCREW	4
04	PF5550218	针杆曲柄紧固螺钉SCREW 9/32-28 L=16	1
05	PF5550216	针杆曲柄定位螺钉 SCREW	1
06	PF5550217	针杆曲柄定位螺钉O型圈 RUBBER RING	1
07	PFQ50207	上轴前轴套FRONT BUSHING OF MAIN SHAFT	1
08	PF555028	上轴中轴套MID BUSHING OF MAIN SHAFT	1
09	PF555029	上轴中轴套螺钉SCREW	1
10	PF90000210	上轴油封 OIL SEAL	1
11	PFQ20205	上轴后套 UPPER SHAFT REAR SLEEVE	1
12	PFQ20219	电机组件 MOTOR	1
13	PF90008129	切线凸轮曲柄紧固螺钉SCREW 1/4-40 L=6	2
14	PFQ20219SF01	电机定子 MOTOR STATOR	1
16	PF1900A0319	紧固螺钉 SCREW	4
17	SCJ3008	弹簧垫片WASHER	4
18	SCJ2010	上轴电机螺钉 SCREW	4
19	PFQ20219SF02	电机转子 MOTOR ROTOR	1
20	PFQ20221F	上轮 HEAD WHEEL	1

零件编号 (number)	零件品号 (Product number)	零件名称 (Product name)	Q2 用量 (Number of Q2 used)
21	PFQ5F0221	转子固定螺钉SCREW	1
22	PF1310B24	上轮螺钉SCREW	1
26	12030010	编码器ENCODER COMPONENT	1
27	PF1310B24	上轮螺钉 SCREW	1
29	PF5550225	挑线杆铰链轴 THREEED TAKE-UP CRANK SHAFT	1
30-1	PF5550K0223A	挑线杆部件THREED TAKE-UP ASM.	1
30-2	PF5550H0223A	厚料挑线杆组件THREED TAKE-UP ASM Heavy	1
31	PF5550228	挑线曲柄左螺钉SCREW	1
32	PF555022404	滚针轴承 BEARING	2
33	PF555031	针杆连杆 NEEDLE BAR CONNECTING ROD	1
34-1	PF55502201	挑线杆轴 THREEED TAKE-UP SHAFT	1
34-2	PF5550H2201	挑线曲柄 (H)	1
35	PF55502212	挑线杆THREED TAKE-UP	1
36	PF55502211	挑线杆连杆THREED TAKE-UP CONNECTING ROD	1
37	PF03030223	绕线主动轮WHEEL	1
38	PF68425H33	绕线主动轮紧定螺钉SCREW	2
39	PF555022	挑线杆铰链轴紧固螺钉 SCREW	1
40	PF555026	上轴挡圈 RETAINING RING	2
41	SCJ1036	转子限位挡圈 RETAINING RING	1
42	PFQ5F0242	垫圈 RETAINING RING	1
43	PF5550212	上轴油量调节销OIL AMOUNT ADJUSTING PIN	1
44	PF5550213	曲柄油量调节销套OIL ADJUSTING COLLAR	1
45	PF5550214	上轴油量调节销O型圈RUBBER RING	1
46	PF5550211	曲柄油量限制毡ROLLER FELT	1

NEEDLE BAR UPRIGHT SHAFT&HOOK DRIVING SHAFTCOMPONENTS

3. 针杆，竖轴，下轴部件

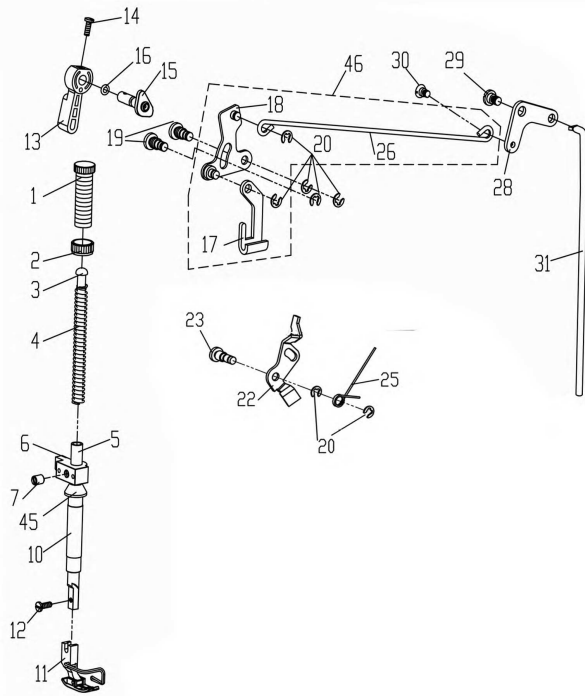


零件编号 (number)	零件品号 (Product number)	零件名称 (Product name)
01	PF555029	下轴前轴套螺钉SCREW
02	PF555036	针杆上套 NEEDLE BAR BUSHING UPPER
03-1	PF90000303	针杆 NEEDLE BAR
03-2	PF90000303H	针杆(H) NEEDLE BAR(H)
04	PF555033	针杆连接柱组件NEEDLE ROD HOLDER ASM
05	PF6150227	滑块导轨螺钉 SCREW 9/64X40 L=7.5
06	PF55503301	针杆连接柱滑块SLIDE BLOCK
07-1	PF888056D309	针杆下套线钩 NEEDLE BAR THREAD GUIDE
07-2	PF5550H39	针杆下套线钩(H) NEEDLE BAR THREAD GUIDE(H)
08-1	PF555038	针杆下套 NEEDLE BAR BUSHING LOWER
08-2	PF5550H38	针杆下套(H) NEEDLE BAR BUSHING LOWER(H)
09	PF5550312	机针螺钉 SCREW 1/8X44 L=4.8
10	PF5550311	针杆线钩 NEEDLE BAR THREAD GUIDE
11-1	PFDTDB114	机针 NEEDLE DBX1#14
11-2	PFDTDP521	机针 NEEDLE DPX5#21
14	PF555052605	上轴伞齿轮组件GEAR ASM
15	PF5550519	伞齿轮螺钉SCREW 1/4X40 L=8
16	PF555052505	竖轴上伞齿轮组件 PINION ASM
17	PF5550519	伞齿轮螺钉SCREW 1/4X40 L=8

零件编号 (number)	零件品号 (Product number)	零件名称 (Product name)
19	PF555052005	竖轴下齿轮组件GEAR ASM
20	PF5550519	伞齿轮螺钉SCREW 1/4X40 L=8
21	PF555051805	下轴伞齿轮组件PINION ASM
22	PF5550519	伞齿轮螺钉SCREW 1/4X40 L=8
23	PF5550524	竖轴UPRIGHT SHAFT
24-1	PF55505107B	旋梭 HOOK ASM
24-2	PF5550H5104	旋梭(H) HOOK ASM(H)
25	PF5550522	竖轴上轴套UPRIGHT SHAFT BUSHING UPPER
26	PF5550521	竖轴下轴套UPRIGHT SHAFT BUSHING LOWER
27	PF55505141	下轴后轴套BUSHING REAR
28	PF9800TD410	竖轴上套紧固螺钉SCREW 3/16X28 L=7
29	PF6150404	下轴挡圈组件 THRUST COLLAR ASM
30	PF55506261	下轴挡圈螺钉 SCREW 11/64X40 L=5
31	PF555057	下轴LOWER SHAFT
32	PF555055	旋梭定位钩BOBBIN CASE HOLDER
33	PF555056	旋梭定位钩螺钉SCREW 11/64X40 L=9.5
34	PF555029	下轴前轴套螺钉SCREW
35	PF5550512	下轴前轴套LOWER SHAFT FRONT METAL
36	PF6150406	下轴挡油圈组件THRUST COLLAR ASM
39	PF55505901	下轴限油芯OIL WICK
40	PF555058	下轴限油螺钉OIL SERL SCREW
41	PF555053	梭心 BOBBIN
42	PF555052	梭壳 BOBBIN CASE
43	PF6150404	竖轴挡圈 SNAP RING
44	PF555029	下轴后轴套螺钉SCREW 3/16X28 L=13
45	PF9001033101	针杆滑块槽组件SLIDE BLOCK BASE
46	PF5550330	竖轴挡圈螺钉 SCREW
47	PF90010331	针杆连接柱滑块SLIDE BLOCK

PRESSER FOOT MECHANIS

4. 压杆部件

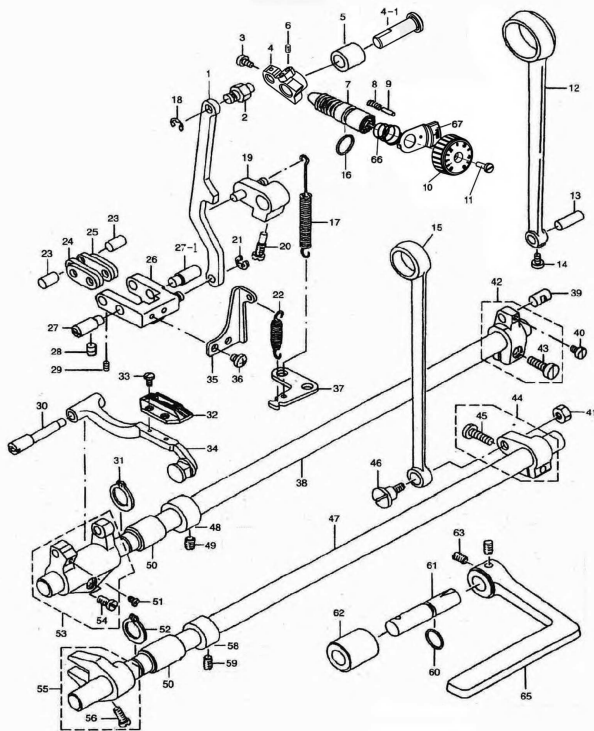


零件编号 (number)	零件品号 (Product number)	零件名称 (Product name)
01	PF90000418	抬牙轴前杠杆组件HAND LIFTER LINK ASM
02	PFQ542	调压螺母 NUT 1/2-28
03	PF555043	调压导杆 PRESSER GUIDE BAR
04	PF555044	调压簧PRESSER SPRING
05	PF555045	压杆 PRESSER GUIDE BAR
06	PF90000406	压杆导架 NEDDLE BAR GUIDE BRACKET
07	PF555047	压杆导架螺钉 SCREW
10	PF5550410	压杆轴套 PRESSER BAR BUSHING LOWER
11-1	PF888056D411	活压脚部件PRESSER FOOT ASM.
11-2	PF5550H411	活压脚部件(H) PRESSER FOOT ASM(H)
12	PF5550412	活压脚螺钉SCREW 9/64-40 L=9.5
13	PFQ5413	压脚扳手 HAND LOFTER
14	PF5550412	压脚扳手螺钉 SCREW 9/64-40 L=8.5
15	PF90000415	压脚扳手凸轮部件HAND LOFTER CAM ASM.
16	PF5550416	压脚扳手轴O型圈RUBBER RING
17	PF90000417	压脚升降板LIFTING LEVER
18	PF9000041801	抬压脚前杠杆部件HAND LIFTER LINK ASM.
19	PF5550419	前杠杆螺纹销 THREAD PIN
20	SCJ1008	螺纹销开口挡圈SNAP RING
22	PF5550422	松线顶板

零件编号 (number)	零件品号 (Product number)	零件名称 (Product name)
23	PF5550423	松线顶板螺纹销THREAD PIN
25	PF5550425	松线顶板复位簧TENSION RELEASE RETURN SPRING
26	PF5550426	抬压脚拉杆LIFTING LEVER CONNECTING ROD
28	PF5550428	抬压脚后杠杆LIFTING LEVER LINK
29	PF5550429	后杠杆轴位螺钉HINGE SCREW
30	PF5550430	抬压脚拉杆螺钉HINGE SCREW
31	PF5550431	抬压脚顶杆CONNECTING ROD VERTICAL
45	PF5550432	压杆油封 PRESSER BAR OIL SEAL
46	PF90000418	抬牙轴前杠杆组件HAND LIFTER LINK ASM

FEED MECHANISM

5. 送料部件



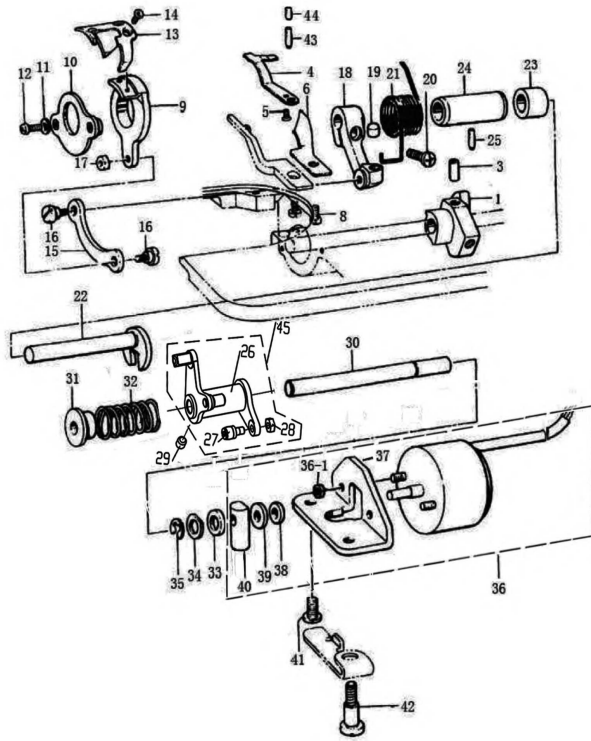
零件编号 (number)	零件品号 (Product number)	零件名称 (Product name)
01	PF6150607	抬牙叉曲柄螺钉SCREW 11/64X40 L=10.5
02	PF90000710	倒送料连杆销 FEED REGULATOR PIN
03	PF68425B27	连杆销螺钉SCREW 9/64X40 L=6
04-1	PF9802DP0707	送料调节器FEED REGULATOR
04-1-1	PF9802DP07071	送料调节器销FEED REGULATOR PIN
04-2	PF9802DPH0707	送料调节器FEED REGULATOR
05	PF555078	送料调节器轴套FEED REGULATOR BUSHING
06	SCJ2031	送料调节器紧固螺钉SCREW 3/16X28 L=7
07	PFQ576	送料调节螺栓 FEED REGULATOR SCREW
08	PF555076	送料距锁合簧 SPRING
09-1	PF9800070401	送料距锁合销 FEED ADJUST PIN
09-2	PF555075	送料距锁合销 (L) FEED ADJUST PIN (L)
10-1	PFQ572	送料距旋钮FEED DIAL
10-2	PF5550H71	送料距旋钮 (L) FEED DIAL (L)
11	PFQ571	送料距旋钮螺钉SCREW 3/16X28 L=18
12	PF555066	送料连杆 ROCKER SHAFT CONNECTING ROD
13	PF555067	送料连杆销WALKING FOOT LONG PIN
14	PF555068	送料连杆螺钉 SCREW 9/64X40 L=4
15	PF5550649	抬牙连杆 CONNECTING ROD
16	PF555074	送料调节螺栓O型圈RUBBER RING

零件编号 (number)	零件品号 (Product number)	零件名称 (Product name)
17	PF5550722	摆动板复位簧FEED REVERSE SPRING
18	SCJ1007	倒送料连杆销挡圈 E-RING 5
19	PF90000721	倒送料曲柄组件FEED REVERSE ARM ASM
20	PF5550721	倒送料曲柄螺钉SCREW
21	SCJ1007	倒送料连杆挡圈E-RING 5
22	PF5550726	倒送料拉簧SPRING
23	PF5550611	短摆动板连接销WALKING FOOT SHORT PIN
24	PF5550609	送料长摆动板 CONNECTING LINK LONG PIN
25	PF555060901	送料短摆动板 CONNECTING LINK SHORT PIN
26	PF5550613	送料摆动板座组件FEED ADJUST LINK ASM
27	PF5550614	送料摆动板座左销ADJUSTING LINK FULCRUM SHAFT
27-1	PF555061601	送料摆动板座右销ADJUSTING LINK FULCRUM SHAFT
28	PF6150326	左右销螺钉SCREW 15/64X28 L=7
29	PF555068	连杆销螺钉SCREW 9/64X40 L=4
30	PF5550632	牙架销FEED BAR SHAFT
31	SCJ1036	送料轴轴用挡圈RETAINING RING
32	PF5550634	送料牙FEED DOG 1
33	PF5550635	送料牙螺钉SCREW 1/8X44 L=6
34	PF555063101	牙架部件 FEED BAR ASM
35	PF5550724	摆动板复位板ADJUSTING LINK SPRING GUIDE
36	PF5550633	复位板紧固螺钉SCREW 11/64X40 L=5
37	PF98000717	拉簧固定板FEED SPRING HOOD
38	PF5550622	送料轴FEED ROCKER SHAFT
39	PF5550619	送料曲柄销WALKING FOOT MIDDLE PIN
40	PF555068	曲柄销螺钉SCREW 9/64X40 L=6
41	PF5550651	抬牙边杆轴位螺母 NUT 9/32X28
42-1	PF5550618	送料曲柄组件 FEED ROCKER SHAFT CRANK ASM
42-2	PF5550H618	送料曲柄组件 (L) FEED ROCKER SHAFT CRANK ASM (L)
43	PF555068	送料曲柄螺钉 SCREW 3/16X28 L=15.5
44	PF5550647	抬牙后曲柄组件LIFTING ROCKER ASM
45	PF5550648	抬牙后曲柄螺钉SCREW 3/16X28 L=14
46	PF5550650	抬牙连杆轴位螺钉HINGE SCREW
47	PF5550644	抬牙轴FEED DRIVING SHAFT
48	PF5550653	抬牙轴挡圈组件THRUST COLLAR ASM
49	PF5550625	送料轴挡圈螺钉SCREW 1/4X40 L=6
50	PF5550626	送料轴前轴套 FEED ROCKER SHAFT BUSHING
51	PF5550633	牙架销螺钉SCREW 11/64X40 L=7
52	SCJ1036	抬牙轴轴用挡圈RETAINING RING
53	PF5550628	牙架座组件FEED BAR CRANK ASM
54	PF5550629	牙架座螺钉SCREW 3/16X28 L=14
55	PF5550642	抬牙叉曲柄组件DRIVING SHAFT CRANK ASM

零件编号 (number)	零件品号 (Product number)	零件名称 (Product name)
56	PF6150607	拾牙叉曲柄螺钉SCREW 11/64X40 L=10.5
58	PF5550653	拾牙轴挡圈THRUST COLLAR ASM
59	PF5550625	拾牙轴挡圈螺钉SCREW 1/4X40 L=6
60	PF5550715	倒送料轴O型圈RUBBER RING
61	PF90000723	倒送料轴 FEED REVERSE SHAFT
62	PF5550716	倒送料轴轴套 FEED LEVER METAL
63	PF5550330	倒送料扳手螺钉SCREW 1/4X40 L=8.5
65	PFQ156502	倒送料扳手REVERSE FEED CONTROL LEVER
66	PF0302445	针距按键簧SPRING
67	PF9800070201	针距标盘按键 NEEDLE GAUGE LOCK GUIDE

THREAD TRIMMER MECHANISM

6. 剪线分组件

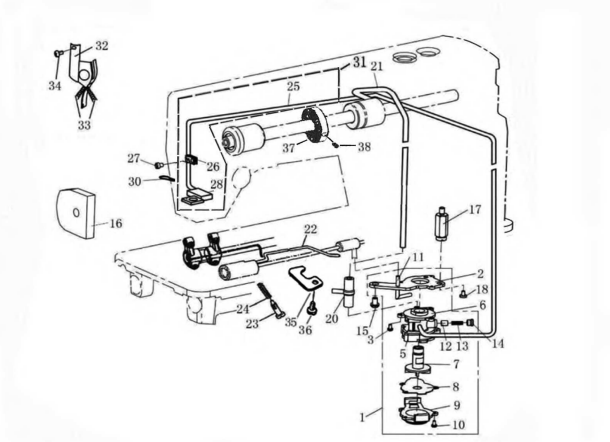


零件编号 (number)	零件品号 (Product number)	零件名称 (Product name)	Q2用量 (Number of Q2 used)
01	PF90008101	剪线凸轮THREAD TRIMMER CAM	1
03	PF90008103	剪线凸轮螺钉SCREW 1/4-40 L=10	2
04	PF90008104	定刀CONNTER KNIFE	1
05	PF68425H26	定刀固定螺钉SCREW	1
06	PF90008106	分线器DISPART THREAD SHUTTLE	1
08	PF6150211	分线器固定螺钉SCREW	1
09	PF90008109	动刀架ROUND KNIFE BRACKET	1
10	PF90008110	刀架压板组件 KNIFE HOLDER ASM	1
11	PF5550630	刀架压板垫圈 WASHER	2
12	PF90008112	刀架压板螺钉 SCREW	2
13-1	PF9000811301	动刀 ROUND KNIFE	1
13-2	PF90008113	动刀 (厚) ROUND KNIFE Heavy	1
14	PF90008114	动刀固定螺钉 SCREW	2
15	PF90008115	刀轴连杆 KNIFE SHAFT CRANK ROD	1
16	PF90008116	刀轴连杆螺钉 SCREW	2
17	PF90008117	刀轴连杆螺母 NUT	1
18	F90008118	切线驱动曲柄 TRIMMING CRANK	1
19	PF9000811801	切线驱动曲柄止动块BLOCK	1
20	PF9000812001	切线驱动曲柄螺钉 SCREW	1
21	PF90008121	复位弹簧 REPLACE SPRING	1

零件编号 (number)	零件品号 (Product number)	零件名称 (Product name)	Q2 用量 (Number of Q2 used)
22	PF90008122	切线驱动曲柄轴TRIMMING CRANK SHAFT	1
23	PF90008123	驱动曲柄轴短套SHORT BUSHING	1
24	PF90008124	切线轴套 BUSHING	1
25	PF55506461	切线轴套紧定螺钉 SCREW	1
26	PF9000812603	切线凸轮曲柄 TRIMMING CAM CRANK	1
27	PF9000812601	滚柱轴分组件 ROLLER BEARING SHAFT ASM.	1
28	PF9000812602	螺母 NUT 11/64-40	1
29	PF90008129	切线凸轮曲柄紧定螺钉SCREW 1/4-40 L=6	1
30	PF90008130B	切刀驱动轴TRIMMING SHAFT	1
31	PF90008131	扭簧端盖 SPRING COVER	1
32	PF90008132	剪线电磁铁复位弹簧SPRING	1
33	PF90008133	切线磁铁垫圈 WASHER	1
34	PF90008134	切线驱动轴垫圈CLIP	1
35	SCJ1009	切线驱动轴卡圈WASHER	1
36	PF9802804	剪线电磁铁组件THREAD TRIMMER SOLENOID ASM.	1
36-1	PF980280401	螺母 (M4) NUT(M4)	2
37	PF980280402	剪线电磁铁安装座 SOLENOID BASE	1
38	PF980280403	电磁铁缓冲垫 WASHER	1
39	PF980280404	垫圈 WASHER	1
40	PF980280405	切线电磁铁连接体SOLENOID CONNECTING SHAFT	1
41	PF90008141	剪线电磁铁架固定螺钉SCREW 1/4-28	1
42	PF90008142	松线座螺钉SCREW 1/4-28	1
43	PF900081412	定刀顶紧螺钉 SCREW 1/8-44X6	1
44	BF7005292	定刀顶紧螺钉	1
45	PF90008126	切线凸轮曲柄组件TRIMMING CAM CRANK ASM.	1

LUBRICATION COMPONENTS

7. 润滑部件

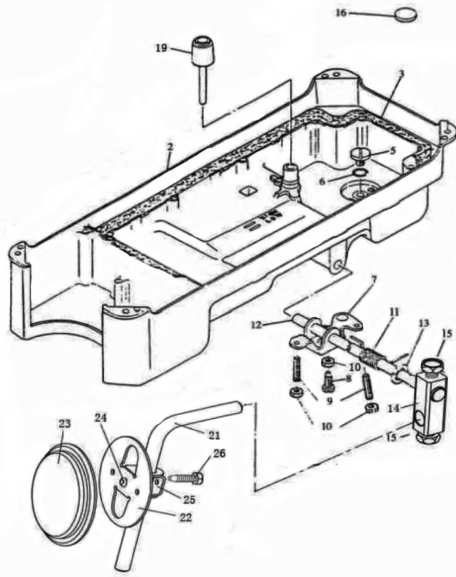


零件编号 (number)	零件品号 (Product number)	零件名称 (Product name)	Q1/Q2 用量 (Number of Q1/Q2 used)
01	PF555081	油泵部件 LUBRICATING OIL PUMP ASM	1
02	PF55508101	油泵安装板 OIL PUMP INSTALLING BASE	1
03	PF55508102	油泵安装螺钉 SCREW M3 L=8	3
05	PF55508103	油泵体 OIL PUMP	1
06	PF55508104	油泵体衬套 OIL PUMP BUSHING	1
07	PF55508105	油泵叶轮 OIL PUMP IMPELLER	1
08	PF55508106	油泵叶轮托板 OIL PUMP IMPELLER COVER	1
09	PF55508107	油泵盖分部件 LUBRICAING OIL PUMP COVER	1
10	PF55508108	油泵盖螺钉 SCREW D=3 L=10	3
11	PF55508109	下轴供油管 HOOK DRIVING SHAFT OIL TUBE	1
12	PF55508110	回油柱塞 PLUNGER	1
13	PF55508111	柱塞簧 PLUNGER SPRING	1
14	PF55508112	柱塞螺钉 PLUNGER SCREW	1
15	PF5550823	油泵螺钉 SCREW 15/64X28 L=12	1
16	PF90011038	海绵 SPONGE	1
17	PF5550815	油泵连接螺柱 OIL PUMP SUPPORT LARGE	1
18	PF555056	螺柱连接螺钉 SCREW 11/64X40 L=9.5	1
20	PF5550817	供油管接头 RUBBER JOINT	1
21	PF90001021	上轴供油管 MAIN SHAFT OIL TUBE	1
22	PF5550819	旋梭供油管 OIL TUBE	1
23	PF6150408	旋梭油量调节簧 SPRING	1
24	PF5550821	油量调节簧 SCREW M3 L=8	1
25	SCJ5030	回油管 OIL RETURN GUARD	1
26	PF5550827	回油管夹 HOLDER	1
27	PF5550230	回油管夹螺钉 SCREW 3/16X28 L=6	1
28	PF5550830	回油毡 OIL FELT	1

零件编号 (number)	零件品号 (Product number)	零件名称 (Product name)	Q1/Q2 用量 (Number of Q1/Q2 used)
30	PF5550831	回油毡夹 OIL FELT PRESSER	1
31	PF5550830	回油管组件 OIL RETURN TUBE ASM	1
32	PF5550832	面部油线板 OIL WICK SUPPORT	1
33	PF5550833	面部油线 OIL WICK	1
34	PF5550834	面部油线板螺钉 SCREW	1
35	PF5550822	旋梭油量供油压板 WIRE HOLDER	1
36	PF5550823	油泵螺钉 SCREW	1
37	PF03030223	绕线器摩擦轮 WHEEL	1
38	PF68425H33	螺钉 SCREW	2

OIL RESERVOIR COMPONENTS

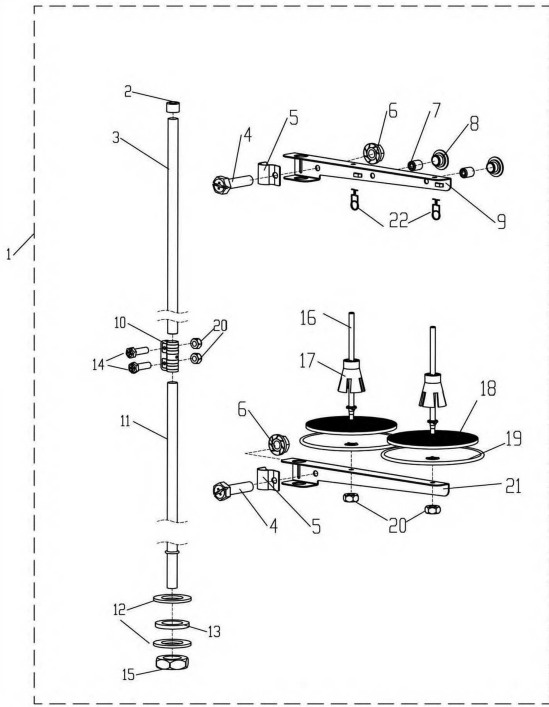
8. 油盘部件



零件编号 (number)	零件品号 (Product number)	零件名称 (Product name)
02	PF555092	油盘 OIL RESERVOIR
03	PF555093	油盘垫 OIL RESERVOIR GASKET
05	PF555095	排油孔螺钉 SCREW 5/16X24 L=7
06	PF555096	排油孔螺钉O型圈 RUBBER RING
07	PF5550912	抬压脚双向曲柄 KNEE LIFTING ROTATING ARM
08	PF5550913	双向曲柄螺钉 SCREW
09	PF5550914	双向曲柄限位调节螺钉 SCREW M6 L=30
10	PF5550915	双向曲柄限位调节螺母 NUT M6
11	PF5550916	双向曲柄扭簧 TWISTING SPRING
12	PF5550917	抬压脚轴 LIFTING PRESSOR FOOT SHAFT
13	SCJ1014	抬压脚轴开口挡圈 OPEN SHIELD RING
14	PF5550919	抬压脚轴操纵杆接头 OPERATING BAR HEAD
15	PF5550930	操纵杆接头螺钉 OPERATING BAR HEAD SCREW
16	SCJ6012	油盘磁铁 OIL PLATE MAGNET
19	PF5550911	抬压脚顶销 KNEE LIFTER PUSH ROD
21	PF5550922	操纵杆 KNEE PAN UPRIGHT SHAFT
22	PF5550923	操纵板 KNEE PAN PLATE
23	PF5550924	操纵杆软垫 KNEE PAN PLATE COVER
24	PF5550925	操纵杆垫 KNEE PAN PLATE RUBBER
25	PF5550926	操纵杆接头 KNEE PAN PLATE SUPPORT
26	PF5550927	节头螺钉 SCREW M6 L=12

THREAD STAND COMPONENTS

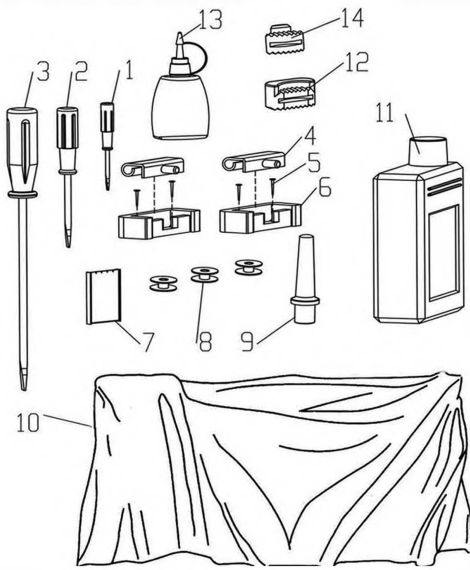
9.过线架部件



零件编号 (number)	零件品号 (Product number)	零件名称 (Product name)	Q1/Q2 用量 (Number of Q1/Q2 used)
01	PF55501127	过线架组件THREAD STAND AMS.	1
02	PF555011270101	撑管套COLUMN CAP	1
03	PF5550112702	线架上撑管COLUMN PIPE(UPPER)	1
04	PF5550112703	线架螺钉 SCREW	2
05	PF5550112704	线臂抱攀 THREAD GUIDE ARM JOINT	2
06	PF5550112705	法兰花齿螺母 NUT	2
07	PF5550112706	过线管THREAD GUIDE PIPE	2
08	PF5550112707	过线管套 THREAD GUIDE BUSHING	2
09	PF5550112722	上过线架(美机色) THREAD HANGER(2 SPOOLS TUPE)	1
10	PF5550112709	撑管夹COLUMN PIPE CONNECTOR	1
11	PF5550112710	线架下撑管COLUMN PIPE(LOWER)	1
12	PF5550112711	垫圈 WASHER	2
13	PF5550112712	橡胶垫圈 WASHER	1
14	PF5550112713	撑管夹螺钉SCREW	2
15	PF5550112714	下过线架螺母 NUT	1
16	PF5550112715	线轴 SPOOL PIN	2
17	PF5550112716	线盘塑料压块 SPOOL CUSHION	2
18	PF5550112717	线盘软垫 SOFT CUSHION OF THREAD PLARE	2
19	PF5550112718	线盘 THREAD PLATE	2
20	PF5550112719	撑管夹螺母NUT	4
21	PF5550112723	下过线架(美机色) THREAD HANGE(LOWER)	1
22	PF5550112721	过线圈THREAD GUIDE RING	2

AUXILIARIES

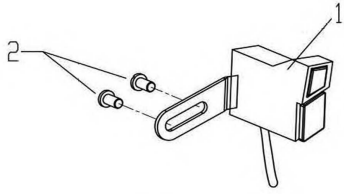
10.附件



零件编号 (number)	零件品号 (Product number)	零件名称 (Product name)	Q1/Q2 用量 (Number of Q1/Q2 used)
01	PF55501018	螺丝刀 (小) SCREW DRIVER (SMALL)	1
02	PF55501017	螺丝刀 (中) SCREW DRIVER (MIDDLE)	1
03	PF55501016	螺丝刀 (大) SCREW DRIVER (LARGE)	1
04	PF5550101	机头连接钩部件HINGE COMPL	2
05	SCJ6018	机头连接钩座钉RUBBER CUSHION NAIL	6
06	PF5550102	机头连接钩座 RUBBER CUSHION	2
07	PFDTDB114	机针NEEDLE	1
08	PF555053	梭心 BOBBIN	3
09	PFQ51425	机头支柱 FRAME SUPPORT BAR	1
10	PF0303104003	机头罩FRAMEVINYL COVER	1
11	PF55501022	油箱 OIL BOTTLE WITH OIL	1
12	PF555099	机头支架 NOSE SUPPORT	2
13	PF61501105	小油壶OILER ASM.	1
14	PF555098	机头座垫 DIE CUSHION	2

AUXILIARIES

11. 照明灯组件



零件编号 (number)	零件品号 (Product number)	零件名称 (Product name)	Q1/Q2 用量 (Number of Q1/Q2 used)
01-1	PFQ119201	Q1点动、灯开关组件Q1REVEVSE SEWING SWITCH	1
01-2	PFQ20192	Q2点动、灯开关组件Q2REVEVSE SEWING SWITCH	1
02	PF555016	照明灯固定螺丝SCREW	2

По вопросам продаж и поддержки обращайтесь:

Алматы (7273)495-231
Архангельск (8182)63-90-72
Астрахань (8512)99-46-04
Барнаул (3852)73-04-60
Белгород (4722)40-23-64
Брянск (4832)59-03-52
Владивосток (423)249-28-31
Волгоград (844)278-03-48
Вологда (8172)26-41-59
Воронеж (473)204-51-73
Екатеринбург (343)384-55-89
Иваново (4932)77-34-06
Ижевск (3412)26-03-58
Иркутск (395)279-98-46
Россия (495)268-04-70

Казань (843)206-01-48
Калининград (4012)72-03-81
Калуга (4842)92-23-67
Кемерово (3842)65-04-62
Киров (8332)68-02-04
Краснодар (861)203-40-90
Красноярск (391)204-63-61
Курск (4712)77-13-04
Липецк (4742)52-20-81
Магнитогорск (3519)55-03-13
Москва (495)268-04-70
Мурманск (8152)59-64-93
Набережные Челны (8552)20-53-41
Нижний Новгород (831)429-08-12
Киргизия (996)312-96-26-47

Новокузнецк (3843)20-46-81
Новосибирск (383)227-86-73
Омск (3812)21-46-40
Орел (4862)44-53-42
Оренбург (3532)37-68-04
Пенза (8412)22-31-16
Пермь (342)205-81-47
Ростов-на-Дону (863)308-18-15
Рязань (4912)46-61-64
Самара (846)206-03-16
Санкт-Петербург (812)309-46-40
Саратов (845)249-38-78
Севастополь (8692)22-31-93
Симферополь (3652)67-13-56
Казахстан (7172)727-132

Смоленск (4812)29-41-54
Сочи (862)225-72-31
Ставрополь (8652)20-65-13
Сургут (3462)77-98-35
Тверь (4822)63-31-35
Томск (3822)98-41-53
Тула (4872)74-02-29
Тюмень (3452)66-21-18
Ульяновск (8422)24-23-59
Уфа (347)229-48-12
Хабаровск (4212)92-98-04
Челябинск (351)202-03-61
Череповец (8202)49-02-64
Ярославль (4852)69-52-93